



CRF250L

CRF250L_D

PARTS CATALOGUE

1

FOREWORD INDEX

1

ENGINE GROUP

2

FRAME GROUP

3

PART NUMBER INDEX

4

PART NAME INDEX

5

Instruction for use of parts catalogue

- **This parts catalogue has been created as of May 10, 2012.**
 - Since this date, the sales practice for repair parts may have been changed or the parts may have been eliminated (listed for those not for sale).
 - The modified information is reflected on the latest Electronic Parts Catalogue (EPC).
Also, refer to the parts catalogue news for any change.
 - See the parts catalogue news for any revision that is made after May 10, 2012.
- **Always specify the part number when ordering a part.**
 - Check the model, type, serial numbers, color, maker, and the size as needed before ordering a part.
 - Note that the illustrations (part drawings) can differ from the actual parts in shape.
They are given just to help you to refer to the parts.
- **When modifications or additions to this parts catalogue are made, a revised edition will be issued at an appropriate time, with successively progressing revision numbers on the cover. We recommend obtaining such revisions in order to keep your parts catalogue up-to-date at all times. To check whether a parts catalogue revision has been issued, please contact your Honda distributor.**

Initial version issue date
May 10, 2012
Honda Motor Co., Ltd.

CONTENTS

	Page	Address No.
● Instruction for use of parts catalogue	1	B 1
● How to refer to the part information	2	B 2
● Part catalogue structure	3	B 3
● When the parts were revised.....	4	B 4
● Abbreviations used in the parts catalogue.....	4	B 4
● Part block and serial number check	5	B 5
● Color label attachment position check.....	5	B 5
● Models, parts catalogue codes and applicable serial numbers	6	B 6
● Color label	7	B 7
● Color chart.....	8	B 8
● Fuel hose, general purpose hoses and vinyl hose.....	10	B10
● FLAT RATE SERVICE TIME.....	14	B14
● Illustrated index	19	C 3
● ENGINE GROUP.....	25	D 1
● FRAME GROUP.....	48	F 1
● PART NO. INDEX.....	93	I 1
● PART NAME INDEX.....	97	J 1

1

1

2

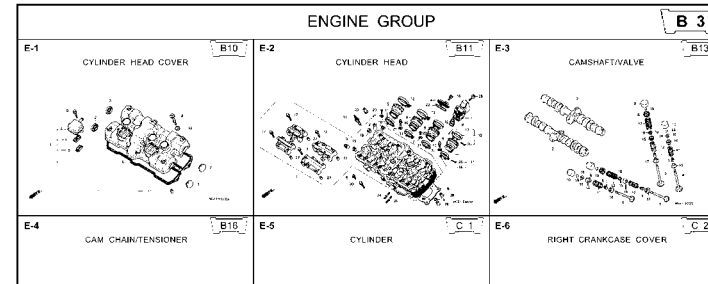
3

4

5

How to refer to the part information

A Reference with "Illustrated index"

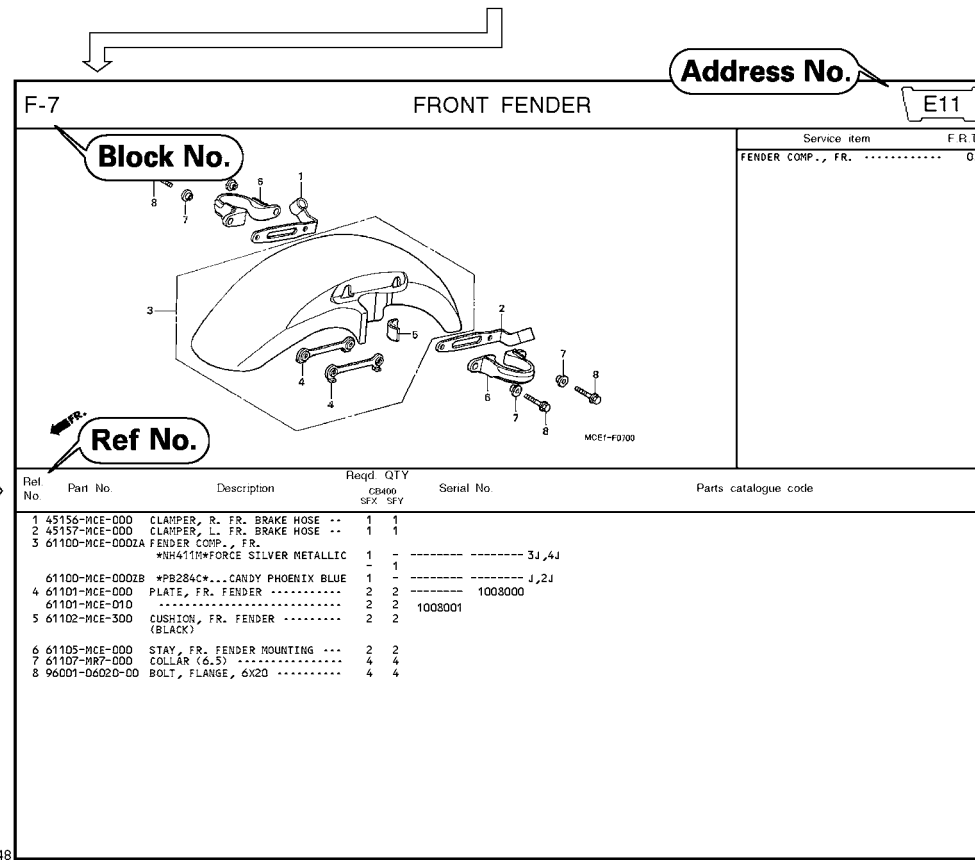


B Reference with "Part number index"

PART NO. INDEX								
Part Number	Address	Page	Rel.	Part Number	Address	Page	Rel.	F
04000				13323-MY9-751	C12	28	10	14921
04911-MCE-000	C10	26	1	13324-MY9-751	C12	28	10	14931
				13325-MY9-751	C12	28	10	14931
				13327-MY9-751	C12	28	10	14931
06000				14000				14931
06405-MY9-P00	F13	67	3	14100-MCE-000	B13	13	2	14931
06405-MY9-P10	F13	67	3	14200-MCE-000	B13	13	3	14931
06410-MY9-860	F2	56	1	14321-MCE-000	B16	16	2	14931
06435-MCE-006	F1	55	1	14401-MCE-003	B16	16	3	14931
06451-769-405	E13	51	2	14510-MBE-000	B16	16	4	14941
06451-443-405	F1	55	2	14520-MY9-691	B16	16	5	14941
06451-MA7-405	E13	51	1	14524-MY9-690	B16	16	6	14941
06455-MCE-006	E13	51	3	14546-MCE-000	B16	16	7	14941
				14620-MY9-691	B16	16	8	14941
11000				14711-MCE-000	B13	13	4	14941
11210-MCE-000	C9	25	1	14712-MCE-000	B13	13	5	14941
11330-MCE-305	C2	18	1	14721-MCE-000	B13	13	6	14941
11333-KT8-000	C6	22	1	14722-MCE-000	B13	13	7	14941
11335-MCE-000	C2	18	2	14730-MCE-000	B13	13	8	14941
11360-MCE-000	C7	23	1	14731-MCE-000	B13	13	9	14941
11365-MCE-000	C7	23	2	14731-MY9-751	B13	13	10	14941
11396-MY9-000	C2	18	3	14751-KY2-000	B13	13	11	14941
11631-MCE-000	C5	21	1	14751-MCE-000	B13	13	12	14941
11691-MY9-000	C5	21	2	14761-MCE-000	B13	13	13	14941

C Reference with "Part name index"

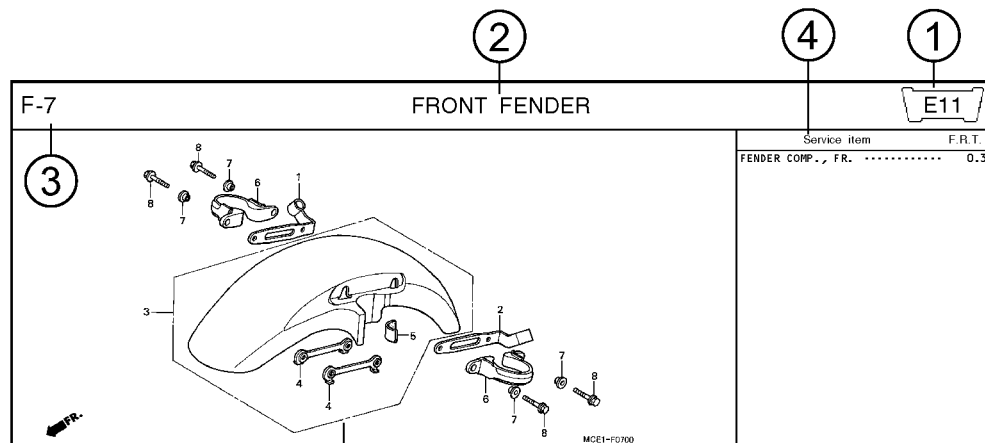
PART NAME INDEX							
Part name	Address	Page	Ref.	Part name	Address	Page	Ref.
[A]				BOLT , CHANG I			
ADJUSTER , CHAIN	F13	67	5	BOLT , CLUTC H			
ARM COMP. , SEA R CHANGE	F10	64	1	BOLT , CONNECT			
ARM , L. MAIN STEP	F11	65	8	BOLT , DISK , 6			
ARM , L. PILLI O STEP	F11	65	12	BOLT , DISK , 8			
ARM , R. MAIN STEP	F11	65	5	BOLT , DRAIN I			
ARM , R. PILLI O STEP	F11	65	11	BOLT , FLANG E			
AUT O DOC K ASSY. , FUEL	F4	58	2	BOLT , FLANG E			
AXLE , FR. WHEEL	E14	52	3	BOLT , FLANG E			
AXLE , RR. WHEEL	F2	56	3	BOLT , FLANG E			
[B]				BOLT , FLANG E			
BAG , AIR PRESSUR E GAUGE	F67	77	4	BOLT , FLANG E			
BAG , SERVICE BOOK	F67	77	1	BOLT , FLANG E			
BAG , TOOL	F67	77	3	BOLT , FLANG E			
BALL , STEEL	F11	65	20	BOLT , FLANG E			
BAND A , INSULATOR	B11	11	11	BOLT , FLANG E			
BAND B , INSULATOR	B11	11	12	BOLT , FLANG E			
BAND , AIR CLEANER CONNECTING				BOLT , FLANG E			
BAND , U-LOCK	F8	62	22	BOLT , FLANG E			
BAND , WIRE	F16	70	3	BOLT , FLANG E			
	C10	26	14				
	E5	43	21				
	G4	74	1R				



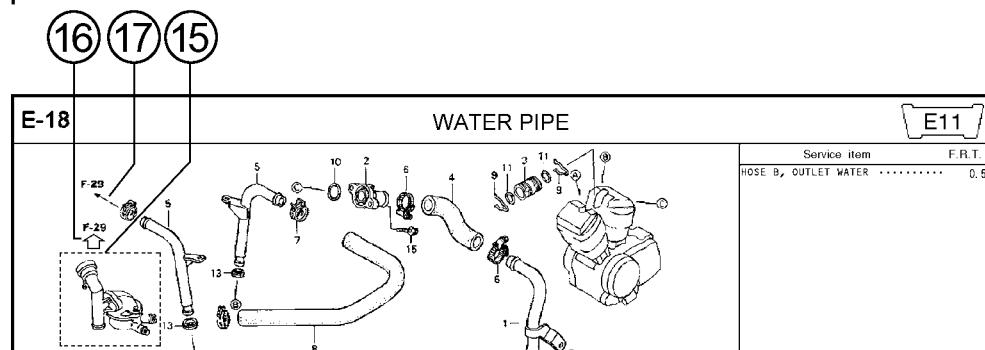
Page No.

2000.09.01 E

Part catalogue structure

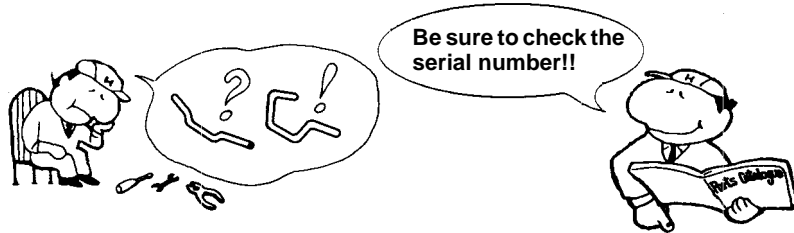


Ref. No.	Part No.	Description	Reqd. QTY		Serial No.	Parts catalogue code
			CB400 SFX	SFY		
1	45156-MCE-000	CLAMPER, R. FR. BRAKE HOSE ..	1	1		
2	45157-MCE-000	CLAMPER, L. FR. BRAKE HOSE ..	1	1		
3	61100-MCE-000ZA	FENDER COMP., FR. *NH411M*FORCE SILVER METALLIC	1	-	----- 3J,4J	
	61100-MCE-000ZB	*PB284C*...CANDY PHOENIX BLUE	1	-	----- J,2J	
4	61101-MCE-000	PLATE, FR. FENDER	2	2	1008000	
	61101-MCE-010	2	2	1008001	
5	61102-MCE-300	CUSHION, FR. FENDER	2	2		
		(BLACK)				



- ① **Address number**
 - Address No. is provided (in place of the page No.) to help you refer to the part with the part No. or part name.
- ② **Block title** ③ **Block number**
- ④ **Service item/Flat rate time**
- ⑤ **Reference number**
 - Title number marked with the parenthesis or parentheses indicates that it continues from the previous page.
- ⑥ **Part number** ⑦ **Honda color code**
- ⑧ **Description**
- ⑨ **Assemblies**
 - Sections framed with broken lines in the exploded view drawings are available as complete assemblies. (Their individual parts can also be obtained.)
- ⑩ **Color description**
- ⑪ **Note**
 - Notes are shown with the parentheses in the part name column.
- ⑫ **Required quantity**
 - Reqd. QTY shown in the parenthesis or parentheses indicates the optional part.
 - Reqd. QTY marked with "N" indicates the optional part that should be selected as needed.
 - Reqd. QTY indicates the number of the part used in the block.
- ⑬ **Serial number**
- ⑭ **Parts catalogue code**
 - When the parts catalogue code column is blank, it indicates that the part is applicable to all codes.
- ⑮
 - Parts enclosed within a dotted line are covered in a different block.
- ⑯
 - A hollow arrow indicates the block No. for the parts enclosed within a dotted line .
- ⑰
 - A solid arrow indicates the block No. the part in question is connected to.

When the parts were revised



Ref. No.	Part No.	Description	Reqd. QTY		Serial No.
			CB400 SFX	SFY	
1	45156-MCE-000	CLAMPER, R. FR. BRAKE HOSE ..	1	1	
2	45157-MCE-000	CLAMPER, L. FR. BRAKE HOSE ..	1	1	
3	61100-MCE-000ZA	FENDER COMP., FR. *NH411M*FORCE SILVER METALLIC	1	-	-----3J,4J
	61100-MCE-000ZB	*PB284C*...CANDY PHOENIX BLUE	1	-	-----J,2J
4	61101-MCE-000	PLATE, FR. FENDER (###).....	2	2	-----1008000
	61101-MCE-010	2	2	-----1008001
5	61102-MCE-300	CUSHION, FR. FENDER (BLACK)	2	2	
6	61105-MCE-000	STAY, FR. FENDER MOUNTING ...	2	2	
7	61107-MR7-000	COLLAR (6.5)	4	4	
8	96001-06020-00	BOLT, FLANGE, 6X20	4	4	

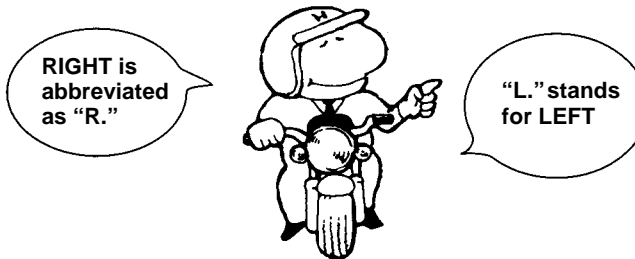
The number has been used from the initial model without revision.

When shown at the left side, it is applicable to the models of No.1008001 and the subsequent numbers.

When shown at the right side, it is applicable to the models up to No.1008000.

The parts listed with "###" at the end of the parts name have limited supply period (parts not for sale).

Abbreviations used in the parts catalogue

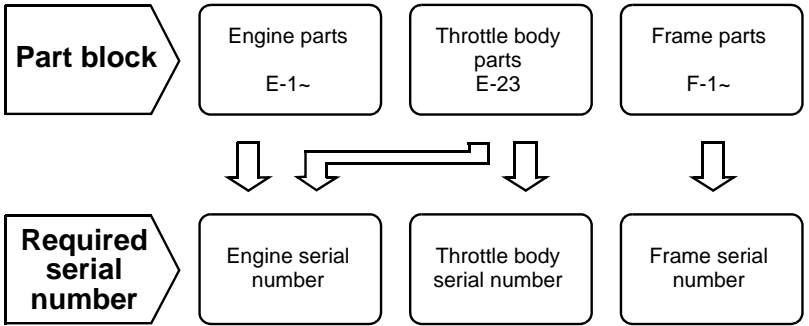


* "L." or "R." in the description of a part stands for the LEFT hand side or the RIGHT hand side. Determine the left or right as if you were in the motorcycle seat.

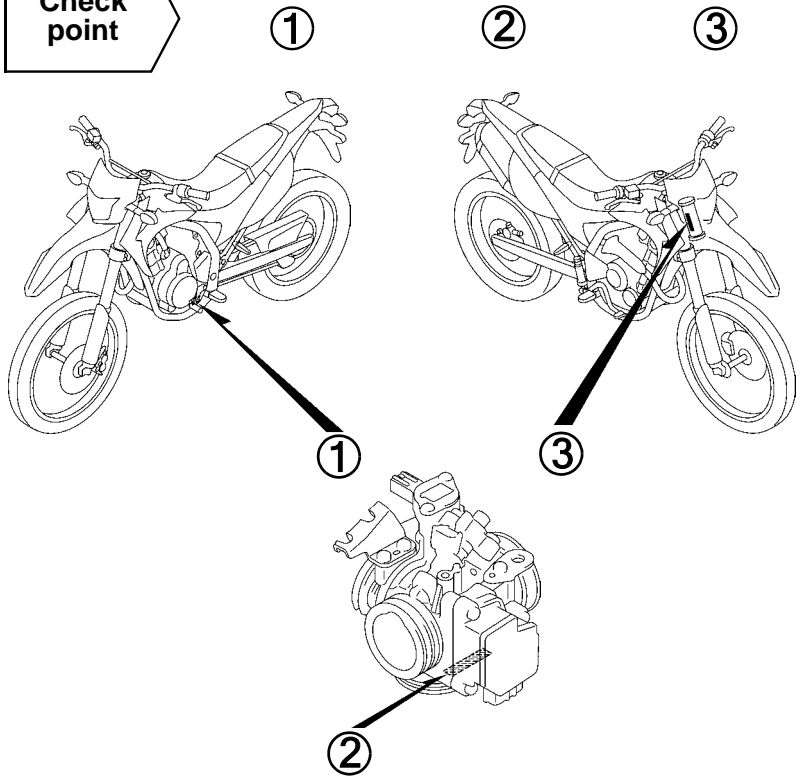
The following abbreviations are used in this parts catalogue.

- | | |
|---|----------------------------------|
| A Ampere | L.Left |
| ABS Anti-lock brake system | L (100L) .Link (100 Links) |
| A.C. Alternating current | L.E.D.Light emitted diode |
| A.M. Attaching mark | MMMillimeter |
| ASSY. Assembly | MPHMiles per hour |
| C.D.I. Capacitive discharge ignition | R.Right |
| COMP. ... Complete | RR.Rear |
| D.C. Direct current | STD.Standard |
| EX. Exhaust | T (22T) ...Tooth (22 Teeth) |
| FR. Front | TCSTraction control system |
| G Gram | T.M.Transcript mark |
| HEX. Hexagonal | VVolt |
| IN. Inlet | WWatt |
| KPH Kilometers per hour | WLWith labelling |
| | WOLWithout labelling |

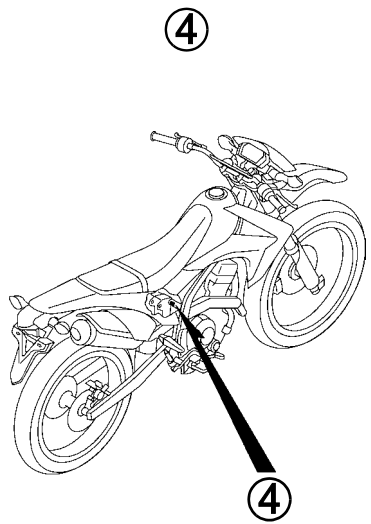
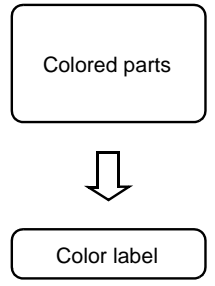
Part block and serial number check



Check point



Color label attachment position check



Models, parts catalogue codes and applicable serial numbers

Models, parts catalogue codes and applicable serial Nos. given in this parts catalogue can be identified as follows.

Parts with parts catalogue codes are exclusive for models destined for countries designated.

If no area codes are listed, parts are for common use.

Model	Area code	Type	Applicable engine serial No.	Applicable frame serial No.	Applicable throttlebody identification No.
CRF250LD	E	England	MD38E-1000001~	MLHMD38A_D5000001~	GQ32A A
	ED	European direct sales			
	F	France		MLHMD389_D5000001~	
	PH	Philippines		MLHMD38U_D5000001~	
	U	Australia			

* Of carburetor/throttle body identification numbers, only the portions underlined in the example below are used for registration.

GQ32A A KC 7

Color label

- When ordering parts, check the model name, main color, and code by observing the “COLOR LABEL” on the vehicle.
- When ordering a colored part, use the color chart in the instruction for use of parts catalogue.

<p>VFR800FIW</p> <p>COLOR R-157</p> <p>CODE R157</p>		MODEL		VFR800FIW					
	No.	COLOR		Sparkling silver metallic	Mute black metallic	Applicable model		Applicable block No.	Re
		CODE		NH-295M	NH-359M	Initial applicable model	Final applicable model		
	Name of colored parts	Basic part No.	NH295	NH359					
1									
2									
3									
4									
5									
6									
7									
8									
9									
10									

Color chart

- When ordering a colored part, refer to the chart below and use a part number consisting of the relevant basic part number to which has been added a part color code.

CRF250L (CRF250LD)

No.	MODEL		CRF250LD				
	COLOR		Extreme red	Applicable model		Applicable block No.	Ref. No.
	CODE		R-292R	Initial applicable model	Final applicable model		
	Name of colored parts	Basic part No.	R292				
1	BODY COMP., FRAME	50100-KZZ-900	ZB			F-39	4
2	BODY COMP., RR. FRAME	50200-KZZ-900	ZB			F-39	6
3	COVER, FR. MUFFLER	18360-KZZ-900	ZB			F-27	10
4	COVER, L. SIDE	83601-KZZ-900	ZC			F-24	5
5	COVER, R. SIDE	83501-KZZ-900	ZC			F-24	3
6	COVER, TOOL BOX	83602-KZZ-900	ZB			F-24	6
7	FENDER SET, RR.	80010-KZZ-900	ZD			F-34	6
8	FENDER SUB ASSY., FR.	61200-KZZ-900	ZB			F-10	2
9	MARK, HONDA	86101-KZZ-900	ZC			F-50	1
10	MARK, HONDA	86102-KZZ-900	ZC			F-50	2
11	PROTECTOR, L. FR. FORK	51620-KZZ-900	ZC			F-11	23
12	PROTECTOR, R. FR. FORK	51610-KZZ-900	ZC			F-11	22
13	SEAT ASSY., DOUBLE	77200-KZZ-900	ZD			F-23	1
14	SHROUD SET, L. FR.	19090-KZZ-900	ZD			F-22	4
15	SHROUD SET, L. RR.	19095-KZZ-900	ZD			F-22	5

CRF250L (CRF250LD)

No.	MODEL		CRF250LD				
	COLOR		Extreme red	Applicable model		Applicable block No.	Ref. No.
	CODE		R-292R	Initial applicable model	Final applicable model		
	Name of colored parts	Basic part No.	R292				
16	SHROUD SET, R. FR.	19070-KZZ-900	ZD			F-22	2
17	SHROUD SET, R. RR.	19075-KZZ-900	ZD			F-22	3
18	STRIPE, L. FR. SHROUD	86192-KZZ-900	ZD			F-50	4
19	STRIPE, L. RR. SHROUD	86194-KZZ-900	ZD			F-50	6
20	STRIPE, R. FR. SHROUD	86191-KZZ-900	ZD			F-50	3
21	STRIPE, R. RR. SHROUD	86193-KZZ-900	ZD			F-50	5
22	TANK ASSY., FUEL	17500-KZZ-900	ZB			F-21	2
23	VISOR SET, FR.	61140-KZZ-900	ZD			F-1	9

Fuel hose, general purpose hoses and vinyl hose

- The standard part fuel hose, general purpose hose and vinyl hose may be substituted by the coiled bulk part.
- When ordering the standard part fuel hose, general purpose hose and vinyl hose use the bulk part number written in the parts catalogue in brackets () underneath the part name, or use the catalogue below.
(The bulk part standard length is 1 m, however, those displayed in the catalogue < > are available in 3 m and 8 m lengths.)
- When exchanging the hose, cut and use at the specified length as mentioned in the part name.
(For the method of cutting the bulk part, and method of filling out orders etc., please refer to the service manual and the instructions issued with the bulk part.)
- The list below is a catalogue of the standard part numbers and bulk part numbers. Note that those numbers are applicable to the listed replacement parts only.

Fuel hoses/Tubes			
Standard part No.	Bulk part No.	Bulk part	
		Inner diameter (mm)	Length (m)
95001-30xxx-2x	95001-30001-20M	3.0	1
95001-30xxx-3x	95001-30001-30M	3.0	1
95001-30xxx-4x	95001-30001-40M	3.0	1
95001-35xxx-2x	95001-35001-50M <95001-35003-50M>	3.5	1 3
95001-35xxx-3x	95001-35001-60M <95001-35003-60M>	3.5	1 3
95001-35xxx-4x	95001-35001-60M <95001-35003-60M>	3.5	1 3
95001-35xxx-5x	95001-35001-50M <95001-35003-50M>	3.5	1 3
95001-35xxx-6x	95001-35001-60M <95001-35003-60M>	3.5	1 3
95001-45xxx-2x	95001-45001-50M <95001-45003-50M>	4.5	1 3
95001-45xxx-3x	95001-45001-60M <95001-45003-60M> <95001-45008-60M>	4.5	1 3 8
95001-45xxx-4x	95001-45001-60M <95001-45003-60M> <95001-45008-60M>	4.5	1 3 8
95001-45xxx-5x	95001-45001-50M <95001-45003-50M>	4.5	1 3
95001-45xxx-6x	95001-45001-60M <95001-45003-60M> <95001-45008-60M>	4.5	1 3 8
95001-55xxx-2x	95001-55001-50M <95001-55003-50M> <95001-55008-50M>	5.5	1 3 8

Fuel hoses/Tubes			
Standard part No.	Bulk part No.	Bulk part	
		Inner diameter (mm)	Length (m)
95001-55xxx-3x	95001-55001-60M <95001-55003-60M> <95001-55008-60M>	5.5	1 3 8
95001-55xxx-4x	95001-55001-60M <95001-55003-60M> <95001-55008-60M>	5.5	1 3 8
95001-55xxx-5x	95001-55001-50M <95001-55003-50M> <95001-55008-50M>	5.5	1 3 8
95001-55xxx-6x	95001-55001-60M <95001-55003-60M> <95001-55008-60M>	5.5	1 3 8
95001-75xxx-2x	95001-75001-50M <95001-75003-50M>	7.5	1 3
95001-75xxx-3x	95001-75001-60M <95001-75003-60M> <95001-75008-60M>	7.5	1 3 8
95001-75xxx-4x	95001-75001-60M <95001-75003-60M> <95001-75008-60M>	7.5	1 3 8
95001-75xxx-5x	95001-75001-50M <95001-75003-50M>	7.5	1 3
95001-75xxx-6x	95001-75001-60M <95001-75003-60M> <95001-75008-60M>	7.5	1 3 8
95001-80xxx-2x	95001-80001-50M	8.0	1
95001-80xxx-3x	95001-80001-60M	8.0	1
95001-80xxx-4x	95001-80001-60M	8.0	1
95001-80xxx-5x	95001-80001-50M	8.0	1
95001-80xxx-6x	95001-80001-60M	8.0	1

Vinyl tube				
Standard part No.	Bulk part No.	Bulk part		
		Inner dia- meter (mm)	Outer dia-meter (mm)	Length (m)
95003-01xxx-3x	95003-01001-60M <95003-01003-60M>	2.9	6.8	1 3
95003-01xxx-60	95003-01001-60M <95003-01003-60M>	2.9	6.8	1 3
95003-03xxx-3x	95003-03001-60M <95003-03003-60M>	3.0	6.0	1 3
95003-03xxx-60	95003-03001-60M <95003-03003-60M>	3.0	6.0	1 3
95003-05xxx-3x	95003-05001-60M <95003-05003-60M> <95003-05008-60M>	3.5	6.5	1 3 8
95003-05xxx-60	95003-05001-60M <95003-05003-60M> <95003-05008-60M>	3.5	6.5	1 3 8
95003-07xxx-1x	95003-07001-10M <95003-07003-10M> <95003-07008-10M>	4.0	7.0	1 3 8
95003-07xxx-20	95003-07001-10M <95003-07003-10M> <95003-07008-10M>	4.0	7.0	1 3 8
95003-07xxx-3x	95003-07001-60M <95003-07003-60M> <95003-07008-60M>	4.0	7.0	1 3 8
95003-07xxx-60	95003-07001-60M <95003-07003-60M> <95003-07008-60M>	4.0	7.0	1 3 8
95003-07xxx-7x	95003-07001-70M <95003-07003-70M> <95003-07008-70M>	4.0	7.0	1 3 8
95003-08xxx-1x	95003-08001-10M <95003-08003-10M> <95003-08008-10M>	4.5	6.5	1 3 8
95003-09xxx-3x	95003-09001-60M <95003-09003-60M>	4.5	8.0	1 3
95003-09xxx-60	95003-09001-60M <95003-09003-60M>	4.5	8.0	1 3
95003-10xxx-1x	95003-10001-10M <95003-10003-10M>	5.0	8.0	1 3
95003-10xxx-20	95003-10001-10M <95003-10003-10M>	5.0	8.0	1 3
95003-10xxx-3x	95003-10001-60M <95003-10003-60M>	5.0	8.0	1 3
95003-10xxx-60	95003-10001-60M <95003-10003-60M>	5.0	8.0	1 3
95003-11xxx-3x	95003-11001-60M <95003-11003-60M> <95003-11008-60M>	5.0	9.0	1 3 8
95003-11xxx-60	95003-11001-60M <95003-11003-60M> <95003-11008-60M>	5.0	9.0	1 3 8
95003-12xxx-1x	95003-12001-10M <95003-12003-10M> <95003-12008-10M>	5.0	7.0	1 3 8
95003-12xxx-20	95003-12001-10M <95003-12003-10M> <95003-12008-10M>	5.0	7.0	1 3 8

Vinyl tube				
Standard part No.	Bulk part No.	Bulk part		
		Inner dia- meter (mm)	Outer dia-meter (mm)	Length (m)
95003-14xxx-1x	95003-14001-10M <95003-14003-10M>	6.0	9.0	1 3
95003-14xxx-20	95003-14001-10M <95003-14003-10M>	6.0	9.0	1 3
95003-14xxx-3x	95003-14001-60M <95003-14003-60M>	6.0	9.0	1 3
95003-17xxx-1x	95003-17001-10M <95003-17003-10M>	7.0	9.0	1 3
95003-19xxx-1x	95003-19001-10M <95003-19003-10M> <95003-19008-10M>	7.0	11.0	1 3 8
95003-19xxx-20	95003-19001-10M <95003-19003-10M> <95003-19008-10M>	7.0	11.0	1 3 8
95003-19xxx-3x	95003-19001-60M <95003-19003-60M> <95003-19008-60M>	7.0	11.0	1 3 8
95003-19xxx-60	95003-19001-60M <95003-19003-60M> <95003-19008-60M>	7.0	11.0	1 3 8
95003-21xxx-1x	95003-21001-10M <95003-21003-10M>	8.0	9.0	1 3
95003-21xxx-20	95003-21001-10M <95003-21003-10M>	8.0	9.0	1 3
95003-23xxx-1x	95003-23001-10M <95003-23003-10M>	8.0	12.0	1 3
95003-23xxx-20	95003-23001-10M <95003-23003-10M>	8.0	12.0	1 3
95003-23xxx-3x	95003-23001-60M <95003-23003-60M> <95003-23008-60M>	8.0	12.0	1 3 8
95003-23xxx-60	95003-23001-60M <95003-23003-60M> <95003-23008-60M>	8.0	12.0	1 3 8
95003-25xxx-1x	95003-25001-10M <95003-25003-10M>	9.0	11.0	1 3
95003-25xxx-20	95003-25001-10M <95003-25003-10M>	9.0	11.0	1 3
95003-25xxx-3x	95003-25001-60M <95003-25003-60M>	9.0	11.0	1 3
95003-25xxx-7x	95003-25001-70M <95003-25003-70M>	9.0	11.0	1 3
95003-27xxx-1x	95003-27001-10M <95003-27003-10M>	9.0	13.0	1 3
95003-27xxx-20	95003-27001-10M <95003-27003-10M>	9.0	13.0	1 3
95003-27xxx-3x	95003-27001-60M <95003-27003-60M>	9.0	13.0	1 3
95003-27xxx-60	95003-27001-60M <95003-27003-60M>	9.0	13.0	1 3
95003-33xxx-1x	95003-33001-10M <95003-33003-10M>	10.0	14.0	1 3
95003-33xxx-20	95003-33001-10M <95003-33003-10M>	10.0	14.0	1 3

Vinyl tube				
Standard part No.	Bulk part No.	Bulk part		
		Inner dia- meter (mm)	Outer dia-meter (mm)	Length (m)
95003-36xxx-1x	95003-36001-10M <95003-36003-10M> <95003-36008-10M>	11.0	13.0	1 3 8
95003-36xxx-20	95003-36001-10M <95003-36003-10M> <95003-36008-10M>	11.0	13.0	1 3 8
95003-37xxx-3x	95003-37001-60M <95003-37003-60M>	11.0	15.0	1 3
95003-37xxx-60	95003-37001-60M <95003-37003-60M>	11.0	15.0	1 3
95003-38xxx-1x	95003-38001-10M <95003-38003-10M>	12.0	13.0	1 3
95003-38xxx-20	95003-38001-10M <95003-38003-10M>	12.0	13.0	1 3
95003-39xxx-1x	95003-39001-10M <95003-39003-10M>	12.0	14.0	1 3
95003-39xxx-20	95003-39001-10M <95003-39003-10M>	12.0	14.0	1 3
95003-40xxx-20	95003-40001-10M <95003-40003-10M>	12.0	16.0	1 3
95003-40xxx-3x	95003-40001-60M <95003-40003-60M>	12.0	16.0	1 3
95003-40xxx-60	95003-40001-60M <95003-40003-60M>	12.0	16.0	1 3
95003-43xxx-1x	95003-43001-10M <95003-43003-10M> <95003-43008-10M>	13.0	15.0	1 3 8
95003-43xxx-20	95003-43001-10M <95003-43003-10M> <95003-43008-10M>	13.0	15.0	1 3 8
95003-45xxx-1x	95003-45001-10M <95003-45003-10M> <95003-45008-10M>	14.0	18.0	1 3 8
95003-45xxx-20	95003-45001-10M <95003-45003-10M> <95003-45008-10M>	14.0	18.0	1 3 8
95003-50xxx-1x	95003-50001-10M <95003-50003-10M>	16.0	19.0	1 3
95003-50xxx-20	95003-50001-10M <95003-50003-10M>	16.0	19.0	1 3
95003-50xxx-3x	95003-50001-60M <95003-50003-60M>	16.0	19.0	1 3
95003-55xxx-1x	95003-55001-10M <95003-55003-10M>	17.5	20.5	1 3
95003-55xxx-20	95003-55001-10M <95003-55003-10M>	17.5	20.5	1 3
95003-60xxx-1x	95003-60001-10M <95003-60003-10M>	22.0	27.0	1 3
95003-60xxx-20	95003-60001-10M <95003-60003-10M>	22.0	27.0	1 3
95003-60xxx-3x	95003-60001-60M <95003-60003-60M>	22.0	27.0	1 3
95003-60xxx-60	95003-60001-60M <95003-60003-60M>	22.0	27.0	1 3

General purpose hoses			
Standard part No.	Bulk part No.	Bulk part	
		Inner diameter (mm)	Length (m)
95005-11xxx-3x	95005-11001-30M	11.0	1
95005-11xxx-5x	95005-11001-50M	11.0	1
95005-12xxx-1x	95005-12001-10M <95005-12003-10M>	12.0	1 3
95005-12xxx-2x	95005-12001-20M	12.0	1
95005-12xxx-3x	95005-12001-30M	12.0	1
95005-12xxx-5x	95005-12001-50M	12.0	1
95005-14xxx-1x	95005-14001-10M	14.0	1
95005-14xxx-2x	95005-14001-20M <95005-14003-20M>	14.0	1 3
95005-14xxx-3x	95005-14001-30M	14.0	1
95005-14xxx-5x	95005-14001-50M	14.0	1
95005-17xxx-1x	95005-17001-10M	17.0	1
95005-17xxx-2x	95005-17001-20M	17.0	1
95005-17xxx-3x	95005-17001-30M	17.0	1
95005-17xxx-5x	95005-17001-50M	17.0	1
95005-30xxx-3x	95005-30001-30M	3.0	1
95005-30xxx-5x	95005-30001-50M	3.0	1
95005-35xxx-1x	95005-35001-10M <95005-35003-10M> <95005-35008-10M>	3.5	1 3 8
95005-35xxx-2x	95005-35001-20M	3.5	1
95005-35xxx-3x	95005-35001-30M	3.5	1
95005-35xxx-4x	95005-35001-10M <95005-35003-10M> <95005-35008-10M>	3.5	1 3 8
95005-35xxx-5x	95005-35001-50M	3.5	1
95005-45xxx-1x	95005-45001-10M <95005-45003-10M> <95005-45008-10M>	4.5	1 3 8
95005-45xxx-2x	95005-45001-20M	4.5	1
95005-45xxx-3x	95005-45001-30M	4.5	1

General purpose hoses			
Standard part No.	Bulk part No.	Bulk part	
		Inner diameter (mm)	Length (m)
95005-45xxx-4x	95005-45001-10M <95005-45003-10M> <95005-45008-10M>	4.5	1 3 8
95005-45xxx-5x	95005-45001-50M	4.5	1
95005-50xxx-3x	95005-50001-30M <95005-50003-30M>	5.0	1 3
95005-50xxx-5x	95005-50001-50M	5.0	1
95005-55xxx-1x	95005-55001-10M <95005-55003-10M> <95005-55008-10M>	5.3	1 3 8
95005-55xxx-2x	95005-55001-20M <95005-55003-20M>	5.3	1 3
95005-55xxx-4x	95005-55001-10M <95005-55003-10M> <95005-55008-10M>	5.3	1 3 8
95005-65xxx-1x	95005-65001-10M <95005-65003-10M>	6.5	1 3
95005-65xxx-2x	95005-65001-20M	6.5	1
95005-70xxx-3x	95005-70001-30M <95005-70003-30M>	7.0	1 3
95005-70xxx-5x	95005-70001-50M	7.0	1
95005-75xxx-1x	95005-75001-10M <95005-75003-10M>	7.3	1 3
95005-75xxx-2x	95005-75001-20M	7.3	1
95005-80xxx-1x	95005-80001-10M <95005-80003-10M>	8.0	1 3
95005-80xxx-2x	95005-80001-20M	8.0	1
95005-80xxx-3x	95005-80001-30M	8.0	1
95005-80xxx-5x	95005-80001-50M	8.0	1
95005-91xxx-3x	95005-91001-30M	12.0	1
95005-91xxx-5x	95005-91001-50M	12.0	1
95005-92xxx-3x	95005-92001-30M	12.0	1
95005-92xxx-5x	95005-92001-50M	12.0	1

NOTE: X is displayed to represent the omitted numerals and letters of the roman alphabet.

⊙ **CAUTION: It is DANGEROUS to confuse the fuel hose with the general purpose hose or vinyl hose.**

Never use a general purpose hose or vinyl hose in place of a fuel hose or vice versa. Always use the correct bulk part in the parts catalogue, according to the service manual or the instructions issued with the bulk part.

• Bulk part number of fuel hose, general purpose hose and vinyl hose.

(Example)

95001-75001-50M

Bulk part number: Refers to the bulk part.

Marking code (hose type): (fuel hose and general purpose hose)

Change code (for added hose): (Vinyl hose)

- Indicates number mark or change sequence, however, the code for the bulk part must be strictly 0 (zero).

Types of code:

- Fuel hose
 - 2: Red outside braid (3 mm inside dia. only)
 - 5: Black inside braid
 - 3: Red (3 mm inside dia. only)
 - 4: Ash gray with red stripe (3 mm inside dia. only)
 - 6: Black
- Vinyl hose
 - 1: Clear
 - 2: Black
 - 3: Light red
 - 6: Light red
 - 7: Pale black
- General hose
 - 1: Ash gray
 - 2: Ash gray
 - 3: Black
 - 5: Black

Lengths: 001: 1 m (standard)
003: 3 m
008: 8 m

I.D code: (fuel hose and general purpose hose)

- 30: 3.0 mm
- 35: 3.5 mm
- 45: 4.5 mm
- 50: 5.0 mm
- 55: 5.3 mm, 5.5 mm
- 65: 6.5 mm
- 70: 7.0 mm
- 75: 7.3 mm, 7.5 mm
- 80: 8.0 mm
- 11: 11 mm
- 91: 12 mm (outside dia. 15) mm
- 92: 12 mm (outside dia. 16) mm
- 12: 12 mm (outside dia. 17) mm
- 14: 14 mm
- 17: 17 mm

ID./OD. code: (vinyl hose)

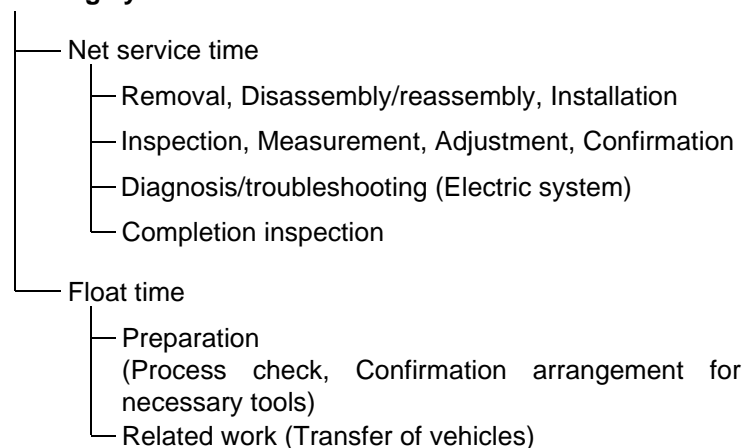
- 01: ID. 2.9, OD. 6.8 mm
- 03: ID. 3.0, OD. 6.0 mm
- 05: ID. 3.5, OD. 6.5 mm
- 07: ID. 4.0, OD. 7.0 mm
- 08: ID. 4.5, OD. 6.5 mm
- 09: ID. 4.5, OD. 8.0 mm
- 12: ID. 5.0, OD. 7.0 mm
- 10: ID. 5.0, OD. 8.0 mm
- 11: ID. 5.0, OD. 9.0 mm
- 14: ID. 6.0, OD. 9.0 mm
- 17: ID. 7.0, OD. 9.0 mm
- 19: ID. 7.0, OD. 11.0 mm
- 21: ID. 8.0, OD. 9.0 mm
- 23: ID. 8.0, OD. 12.0 mm
- 25: ID. 9.0, OD. 11.0 mm
- 27: ID. 9.0, OD. 13.0 mm
- 33: ID. 10.0, OD. 14.0 mm
- 36: ID. 11.0, OD. 13.0 mm
- 37: ID. 11.0, OD. 15.0 mm
- 38: ID. 12.0, OD. 13.0 mm
- 39: ID. 12.0, OD. 14.0 mm
- 40: ID. 12.0, OD. 16.0 mm
- 43: ID. 13.0, OD. 15.0 mm
- 45: ID. 14.0, OD. 18.0 mm
- 50: ID. 16.0, OD. 19.0 mm
- 55: ID. 17.5, OD. 20.5 mm
- 60: ID. 22.0, OD. 27.0 mm

Hose type: 1: Fuel hose
3: Vinyl hose
5: General hose

FLAT RATE SERVICE TIME

Flat rate service time (FRT) means the standard time required to service a MC, which is listed in this manual to help the dealers control the actual working process and calculate the service charge by using it as a guide.

FRT setting system



* Float time is set by multiplying the net service time by a given coefficient.

Editorial style

The service items shown in the text are listed with the exchange work time for the repair sales parts as the subject. Other representative service items not using repair parts (removal/installation, adjustment, inspection/measuring, and other work) are listed collectively in the list in the preface, classified according to the work.

FRT setting standard

- Decimal system (in unit of 0.1) is adopted to set FRT as it is convenient to calculate the wage.
Example: (0.1) → 6 minutes, (0.2) → 12 minutes
[Labor cost per hour] x [FRT] = [Wage]
- FRT is set with a hand tool.
- Service items and FRT can be subject to change depending on development of tools and service equipment and improvement in service procedure.

Work procedure

- As the work procedure is set with the work time according to the method in the separate Service Manual, refer to this Manual as required.
- Work methods permitting servicing in the shortest time still permitting assurance of safe work and product warranty are used for the setting of service items not listed in the Service Manual.
- Work basically is to be performed by one person, and when two or more people are required, setting is done as the total time for the number of people.
- The set value for the technological level of the workers uses a person with three years of experience in the repair of Honda vehicles as the standard.
- Special tools and service equipment used to set FRT are those specified or recommended in Service Manual.

Service item whose FRT is not presented

- Accessories and service parts that are not listed to use in this manual.
- Locations with little aging deterioration or breakage during normal use.
- Service work that can be finished by one touch.
- Service work that is seldom done (i.e. extremely small causes of trouble and service frequency).

* When FRT is not presented, please calculate wages based on appropriate actual work time

Operation not included of FRT

- Oil and coolant water draining, Waiting time for warming up operation and etc..
- Additional operation that involves removal/installation of standard exterior equipment.
- Indirect time spent for service by visiting the customer, trade-in, and delivery of a MC.
- Indirect time required for ordering and delivery of parts.
- Cost for grease, adhesive agent, etc. used for service work.

**Explanation of FRT by using an example
(The example may differ from the actual presented items)**

Ref. No.	L.O.N.	(Relative ref. Number) Description	F.R.T.
①	111118	(1, 3, 4, 7) CAMSHAFT 4.5	②
③	111118A	⑥ • Includes: Valve clearance adjustment Replace rocker arm add 1.0	⑤

- ① Reference No. of the illustration of part that shows location of the replacement work.
- ② FRT is an abbreviation of Flat Rate Time indicating the standard service time required for the replacement.
- ③ LON is an abbreviation of Labor Operation Number, and it is a classification of the service items by the work unit code.

The same operation code is used regardless of the models.

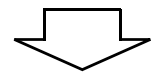
Standard operation is indicated with 6 digits code, and additional operation is indicated with 7 digits code.
- ④ Indicating the camshaft replacement and FRT4.5.
- ⑤ Indicating FRT1.0 that will be added when additional operation (replace rocker arm) is done in association with camshaft replacement.

- ⑥ Indicating work contents that are included in the service item.
- ⑦ Indicating a reference No. whose operation and time are the same as FRT4.5 for the camshaft.

(The application range is limited to the service items without an LON setting within a same block.)

**How to refer to the service item by using the sample
(camshaft replacement)**

Open to the page of the block where the camshaft's spare part illustration is shown.



Look for the camshaft illustration, and refer to the service item and FRT that agree with the reference No.

Indication mark for the listing of service items that continues to the following page

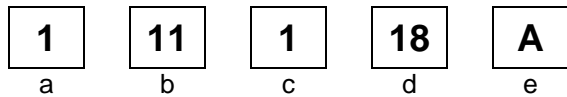
Ref. No.	L.O.N.	(Relative ref. Number) Description	F.R.T.
2	111118	CAMSHAFT	4.5
	.	.	.
	.	.	.

+
Mark indicated at the last line.

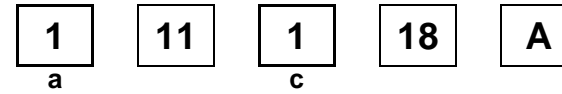
Indication of the block with no setting of FRT

Ref. No.	L.O.N.	(Relative ref. Number) Description	F.R.T.
NO INFORMATION			

• LON code system



- a) Category code..... Engine
- b) Location/function code Engine upper
- c) Operation code..... Replace
- d) Operation sequence number (Unit code can be shown with alphabet) camshaft (No regular rule of code)
- e) Additional code replace rocker arm (No regular rule of code)



a) Category codes and classification

Code	Category
1	Engine
2	Transmission
3	Fuel & Exhaust
4	Frame & Body
5	Steering/Suspension
6	Electrical
7	Wheels/Brakes
8	Controls/instrument
9	-
0	-

c) Operation codes and classification

Code	Operation category
1	Replace, Removal/Installation, Change
2	Overhaul
3	Adjust, Balance
4	(Paint-related work: Top-coat)
5	Test, Inspect/diagnose, Measurement, Check
6	(Overhaul-related work: Rebore)
7	(Overhaul-related work: Reseal)
8	(Resurface)
9	(Paint-related work: Refinish)
0	Repair, Cleaning, Air bleeding

Major service items without using spare parts

(1) Removal/Installation, (2) Adjustment,
(3) Inspection/Measurement, (5) Other work

[E: Engine, F: Frame]

* OPERATIONS OTHER THAN REPLACING PARTS

(1) Removal and installation

Set for the configuration with the parts removed from the vehicle.

	LON	DESCRIPTION	FRT
E	1101E5	TILTING ENGINE ASSEMBLY-REMOVAL/INSTALLATION INCLUDES: All necessary adjustment	2.4
	1111K0	CYLINDER HEAD ASSEMBLY-REMOVAL/INSTALLATION INCLUDES: Engine removal and installation	3.0
	3111D5	THROTTLE BODY ASSEMBLY-REMOVAL/INSTALLATION	0.7
	1101E6	CRANKCASE SEPARATION INCLUDES: Engine removal and installation	4.7
F	1151E6	RADIATOR ASSEMBLY-REMOVAL/INSTALLATION	0.3

(2) Adjustment

	LON	DESCRIPTION	FRT
E	2123A0	CLUTCH-ADJUSTMENT	0.1
	1113A0	VALVE CLEARANCE-ADJUSTMENT NOTE: For 1 vehicle	0.8
F	6163A0	HEADLIGHT-AIMING	0.1
	2133A0	DRIVE CHAIN-ADJUSTMENT	0.1
	3113A3	THROTTLE OPERATION-ADJUSTMENT	0.1

(3) Inspection, Measurement

	LON	DESCRIPTION	FRT
E	1115A0	COMPRESSION PRESSURE-MEASUREMENT	0.1
	6145A0	IGNITION TIMING-INSPECTION	0.2
F	6105A0	BATTERY-CHECKING OF ELECTROLYTE LEVEL & CHARGE	0.2

(5) Other work

	LON	DESCRIPTION	FRT
E	1130A1	OIL FILTER SCREEN-CLEANING	0.8
F	7110A0	FRONT BRAKE-AIR BLEEDING	0.2
	7110A1	REAR BRAKE-AIR BLEEDING	0.2
	1151E7	RADIATOR COOLANT-CHANGE	0.3

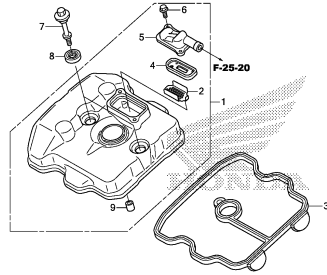
ENGINE GROUP

C 3

E-1

CYLINDER HEAD COVER

D 1

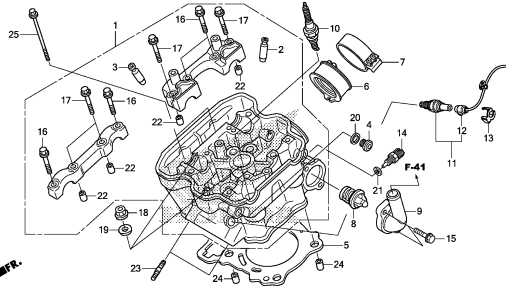


KZZ3E100

E-2

CYLINDER HEAD

D 2

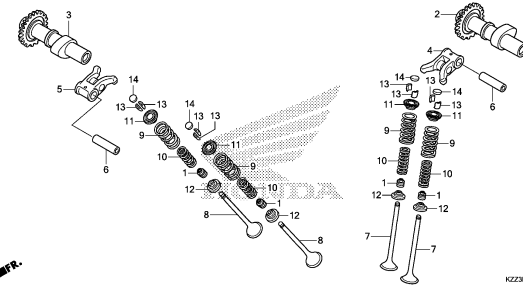


KZZ3E000

E-3

CAMSHAFT/VALVE

D 4

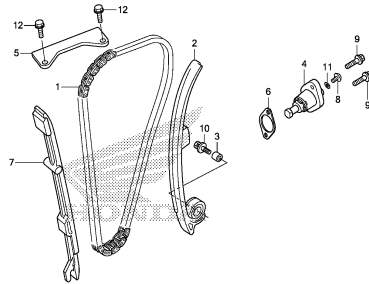


KZZ3E000

E-4

CAM CHAIN/TENSIONER

D 7

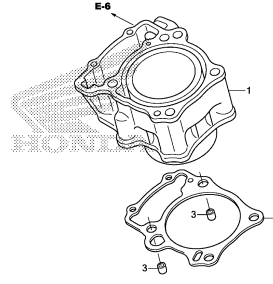


KZZ3E040

E-5

CYLINDER

D 8

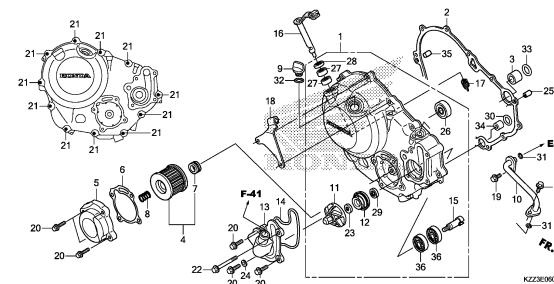


KZZ3E000

E-6

RIGHT CRANKCASE COVER

D 9

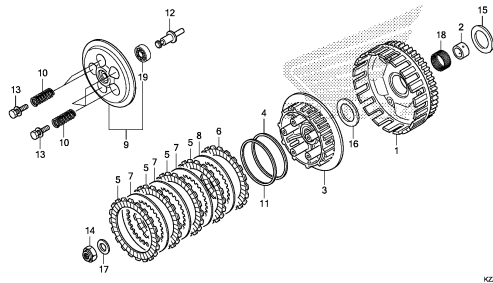


KZZ3E000

E-8

CLUTCH

D11

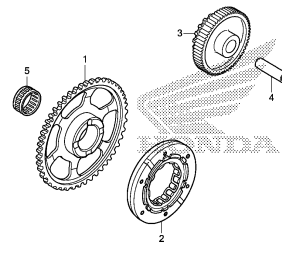


KZZ3E080

E-9

STARTING CLUTCH

D12

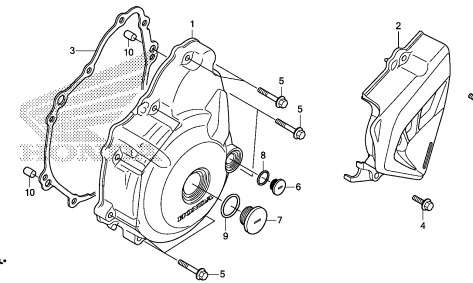


KZZ3E090

E-10

LEFT CRANKCASE COVER

D13



KZZ3E100

2

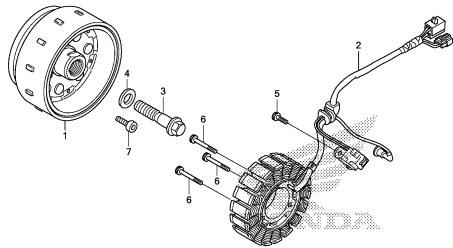
ENGINE GROUP

C 4

E-11

GENERATOR

D14

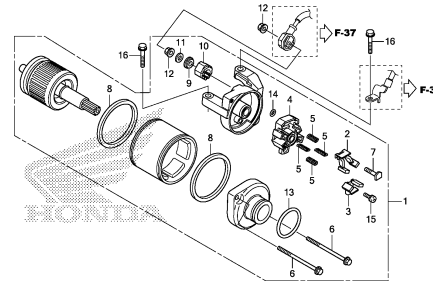


KZZ3E1100

E-13

STARTER MOTOR

D15

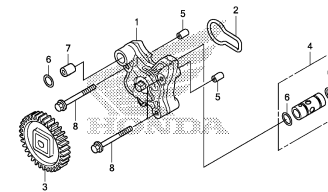


KZZ3E1300

E-14

OIL PUMP

D16

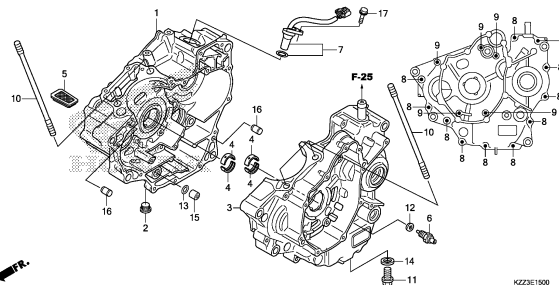


KZZ3E1400

E-15

CRANKCASE

E 1

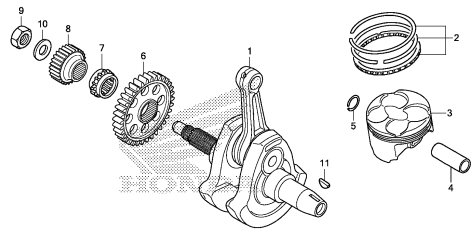


KZZ3E1500

E-16

CRANKSHAFT/PISTON

E 2

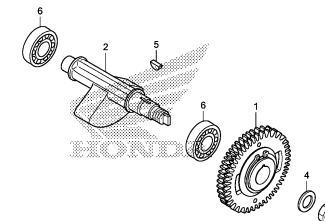


KZZ3E1600

E-16-10

BALANCER SHAFT

E 3

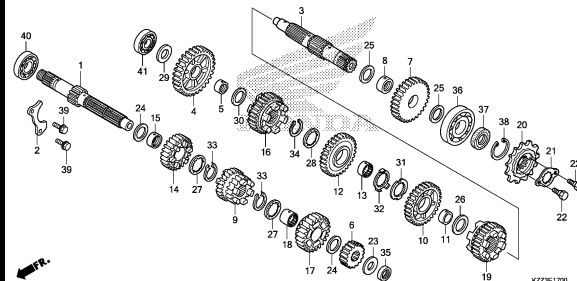


KZZ3E1610

E-17

TRANSMISSION

E 4

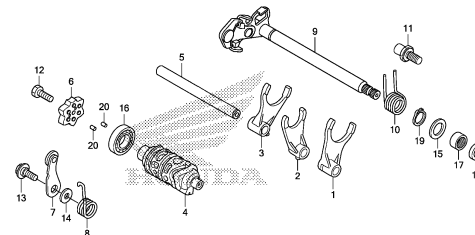


KZZ3E1700

E-19

GEARSHIFT DRUM

E 6

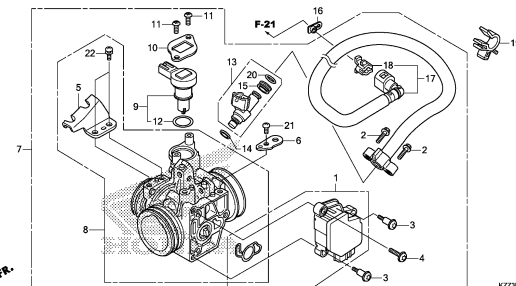


KZZ3E1900

E-23

THROTTLE BODY

E 7



KZZ3E2300

2

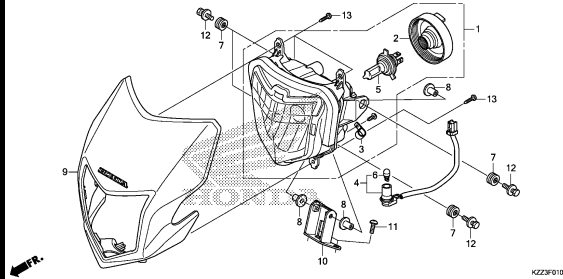
FRAME GROUP

C 5

F-1

HEADLIGHT

F 1

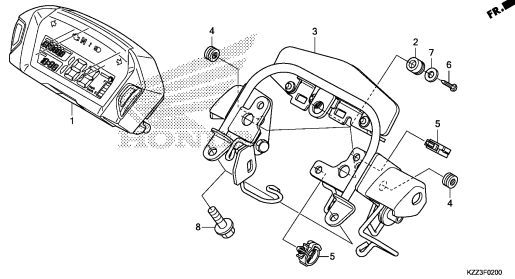


KZZ3F0100

F-2

METER

F 2

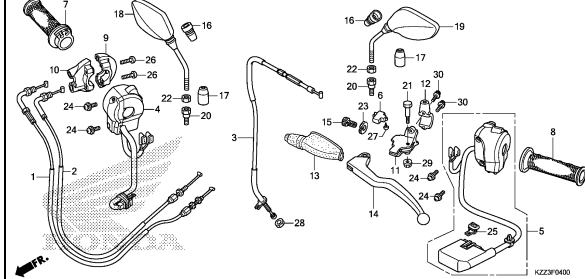


KZZ3F0200

F-4

HANDLE LEVER/SWITCH/CABLE/MIRROR

F 3

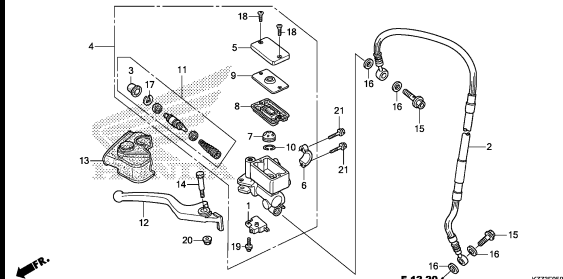


KZZ3F0400

F-5

FRONT BRAKE MASTER CYLINDER

F 5



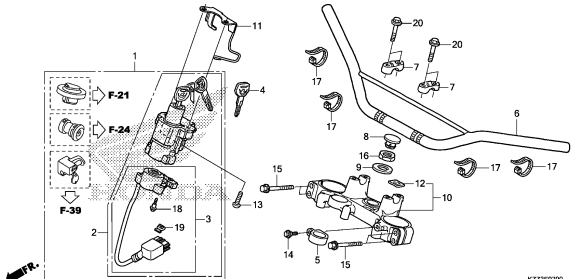
F-12-20

KZZ3F0500

F-7

HANDLE PIPE/TOP BRIDGE

F 6

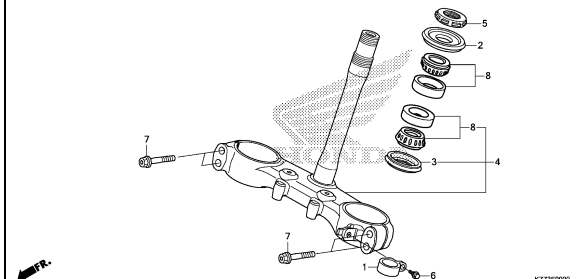


KZZ3F0700

F-9

STEERING STEM

F 7

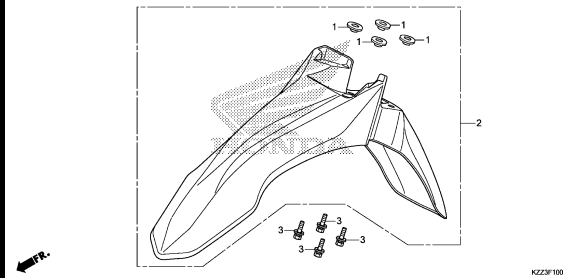


KZZ3F0900

F-10

FRONT FENDER

F 8

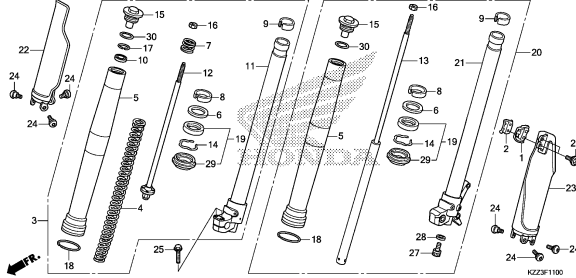


KZZ3F1000

F-11

FRONT FORK

F 9

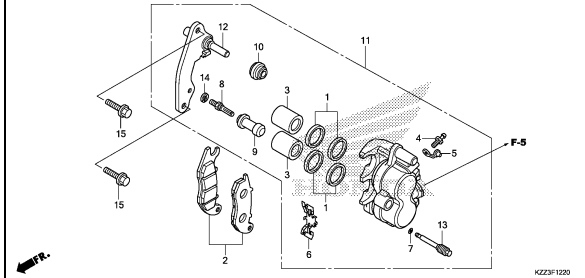


KZZ3F1100

F-12-20

FRONT BRAKE CALIPER

F 11



KZZ3F1220

3

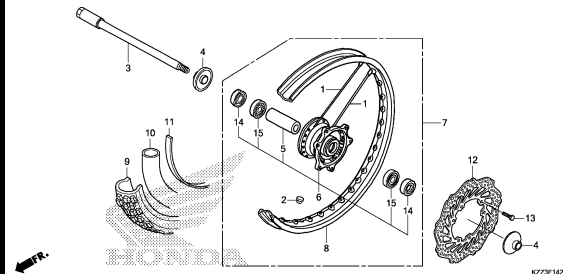
FRAME GROUP

C 6

F-14-20

FRONT WHEEL

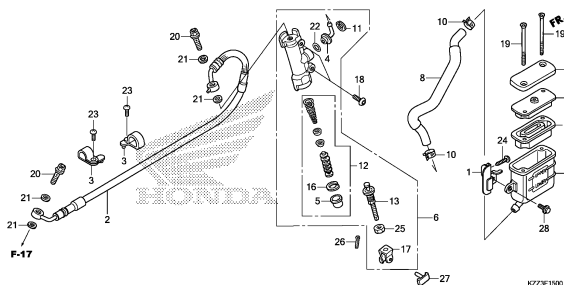
F12



F-15

REAR BRAKE MASTER CYLINDER

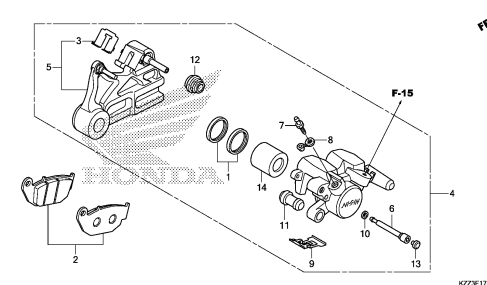
F13



F-17

REAR BRAKE CALIPER

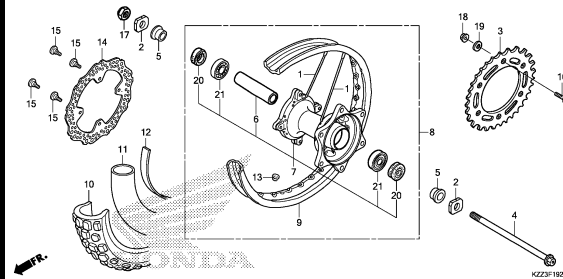
F15



F-19-20

REAR WHEEL

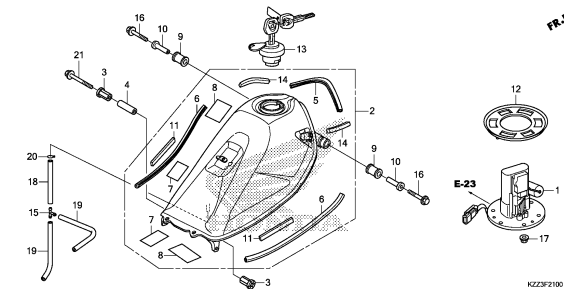
F16



F-21

FUEL TANK

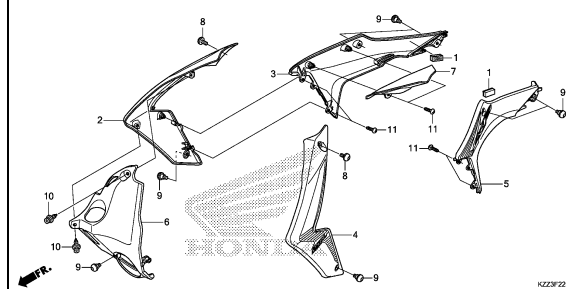
G 1



F-22

RADIATOR SHROUD

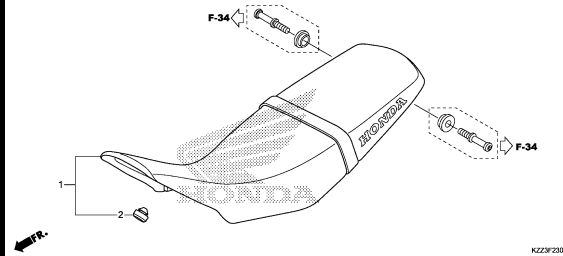
G 2



F-23

SEAT

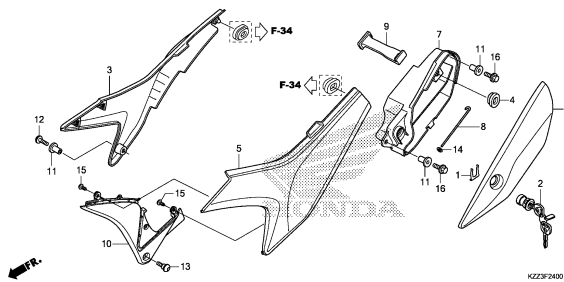
G 3



F-24

SIDE COVER

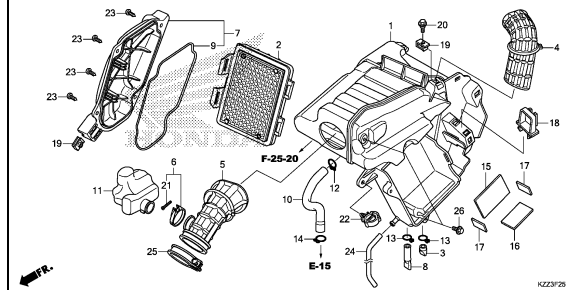
G 4



F-25

AIR CLEANER

G 5



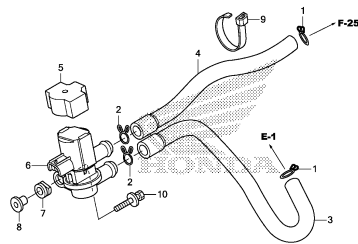
FRAME GROUP

C 7

F-25-20

AIR INJECTION SOLENOID VALVE

G 7

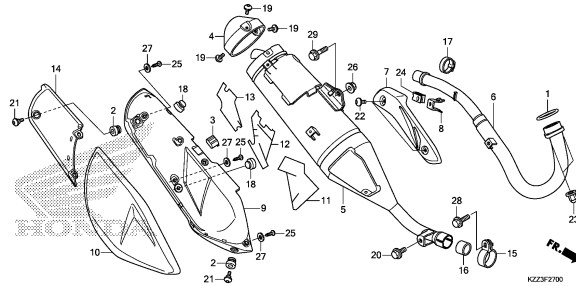


KZZ3F2520

F-27

EXHAUST MUFFLER

G 8

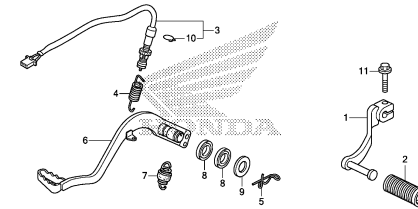


KZZ3F2700

F-29

PEDAL

G10

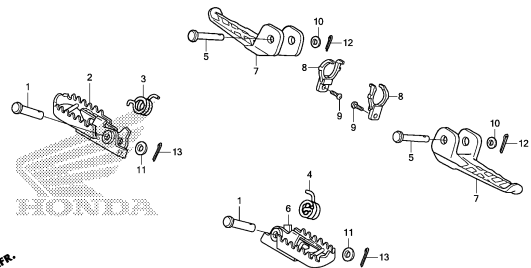


KZZ3F2900

F-30

STEP

G11

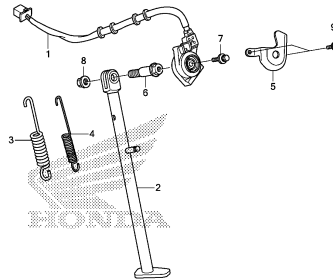


KZZ3F3000

F-31

STAND

G12

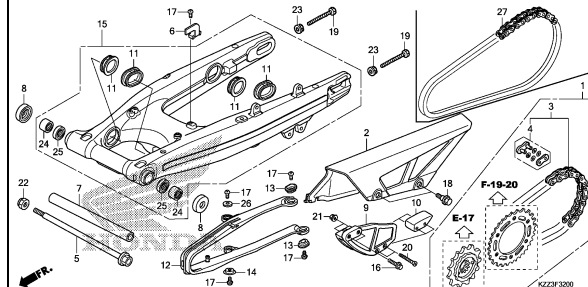


KZZ3F3100

F-32

SWINGARM

G13

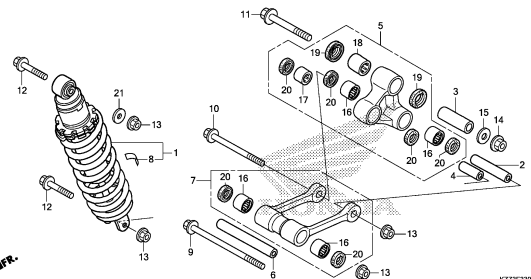


KZZ3F3200

F-33

REAR CUSHION

G15

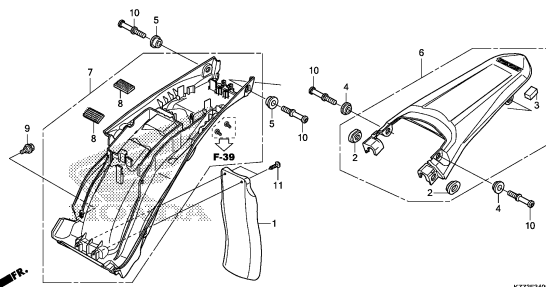


KZZ3F3300

F-34

REAR FENDER

G16

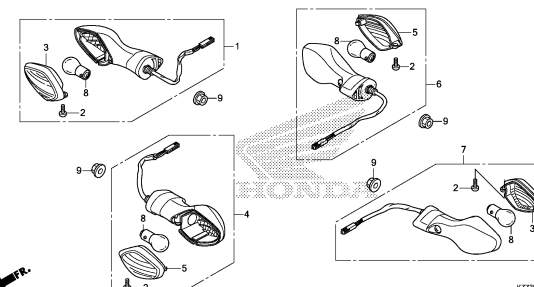


KZZ3F3400

F-35

WINKER

H 1



KZZ3F3500

3

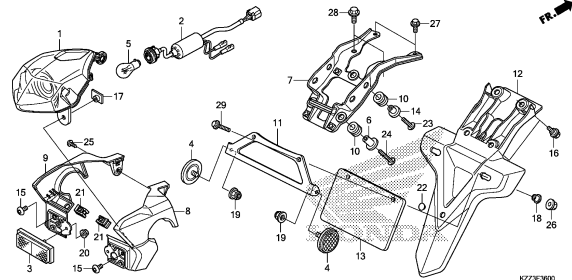
FRAME GROUP

C 8

F-36

TAILLIGHT

H 2

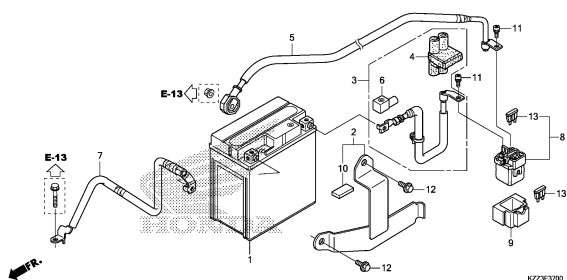


KZZ3F3600

F-37

BATTERY

H 4

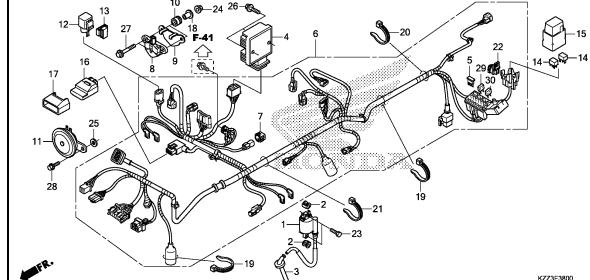


KZZ3F3700

F-38

WIRE HARNESS

H 5

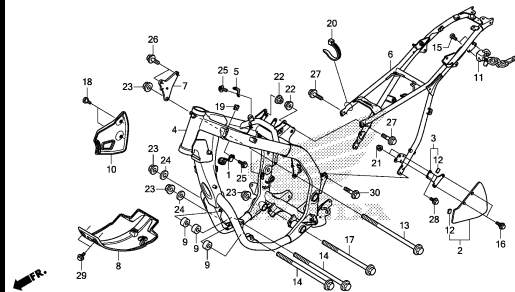


KZZ3F3800

F-39

FRAME BODY

H 7

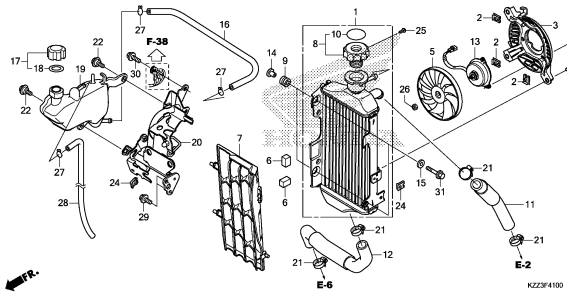


KZZ3F3900

F-41

RADIATOR

H 9

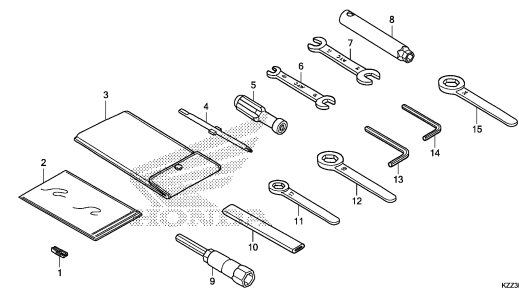


KZZ3F4100

F-48

TOOLS

H11

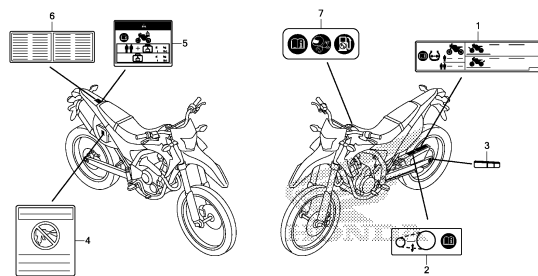


KZZ3F4800

F-49

CAUTION LABEL

H12

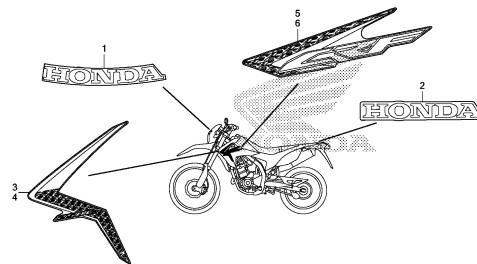


KZZ3F4900

F-50

MARK/STRIPE

H13



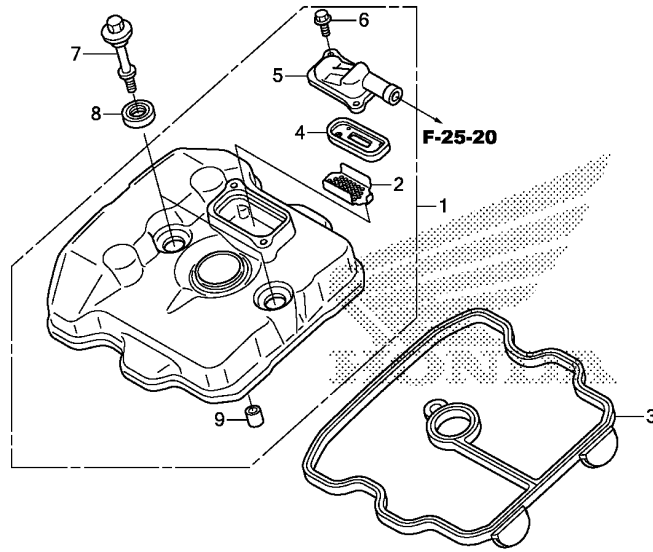
KZZ3F5000

3

E-1

CYLINDER HEAD COVER

D 1



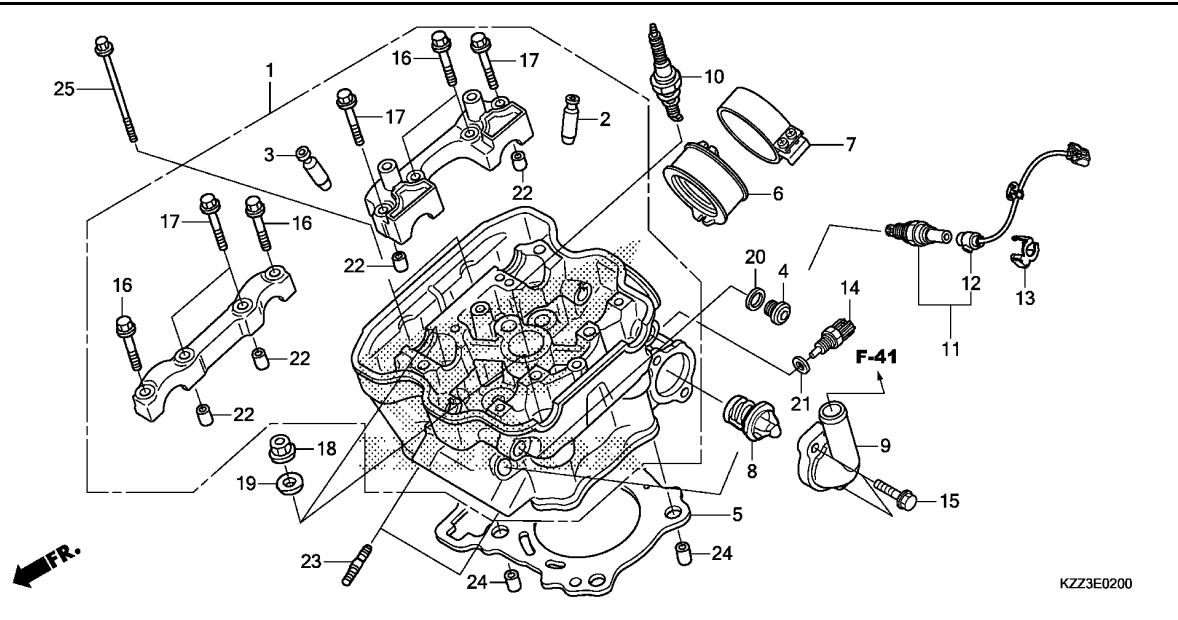
FR.

KZZ3E0100

Ref. No.	L.O.N.	(Relative ref. Number) Description	F.R.T.
1	1111C4	COVER, CYLINDER HEAD	0.5
3	1111D2	GASKET, CYLINDER HEAD COVER ..	0.5
4	314125	VALVE, PAIR CHECK	0.1

Ref. No.	Part No.	Description	Reqd. QTY	Serial No.	Parts catalogue code
			CRF 250L D		
1	12300-KZZ-900	COVER ASSY., CYLINDER HEAD ..	1		
2	12341-MAT-750	PLATE, PORT(AI)	1		
3	12391-KYJ-901	GASKET COMP., CYLINDER HEAD COVER	1		
4	18601-KEA-741	VALVE COMP., REED(ARAI)	1		
5	18612-KYJ-900	COVER, REED VALVE	1		
6	90002-KGH-900	BOLT, FLANGE, 5X14	2		
7	90018-KYJ-900	BOLT, HEAD COVER	2		
8	90543-MV9-670	RUBBER, MOUNTING	2		
9	94301-10160	DOWEL PIN, 10X16	1		

2



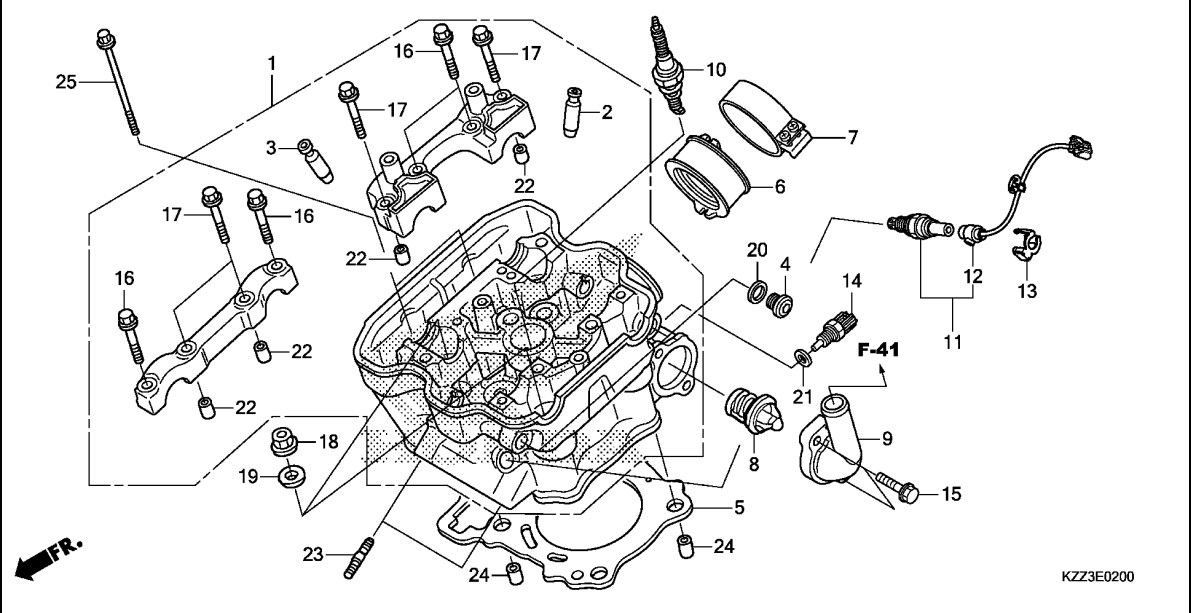
Ref. No.	L.O.N.	(Relative ref. Number) Description	F.R.T.
1	111106	HEAD, CYLINDERINCLUDES: Engine removal and installation .INCLUDES: Valve adjust and reface	4.3
2	1111L9	GUIDE, INTAKE VALVE(ONE)INCLUDES: Engine removal and installation .INCLUDES: Reaming .INCLUDES: Valve adjust and reface	3.9
	1111L9A	.Replace all intake valve guide add	0.3
3	1111M0	GUIDE, EXHAUST VALVE(ONE)INCLUDES: Engine removal and installation .INCLUDES: Reaming .INCLUDES: Valve adjust and reface	3.9
	1111M0A	.Replace all exhaust valve guide add	0.3
	1111M9	GUIDE, VALVE :FOR 1 VEHICLE .. .INCLUDES: Engine removal and installation .INCLUDES: Reaming	4.8

Ref. No.	Part No.	Description	Reqd. QTY	Serial No.	Parts catalogue code
			CRF 250L D		
1	12010-KZZ-920	HEAD ASSY., CYLINDER	1		
2	12204-KYJ-305	GUIDE, IN. VALVE(O.S.)	2		
3	12205-KYJ-305	GUIDE, EX. VALVE(O.S.)	2		
4	12207-KYJ-900	BOLT, SEALING, 12MM	2		
5	12251-KYJ-901	GASKET, CYLINDER HEAD	1		
6	16211-KZZ-900	INSULATOR, THROTTLE BODY	1		
7	16217-KYJ-900	BAND, INSULATOR	1		
8	19300-KGF-911	THERMOSTAT	1		
9	19321-KZZ-900	COVER, THERMOSTAT	1		
10	31916-MEH-003	PLUG, SPARK(SIMR8A9)(NGK) ...	1		
11	36532-KZZ-901	SENSOR, OXYGEN	1		
12	36533-KZZ-900	CORD COMP., OXYGEN SENSOR ...	1		
13	36538-KPP-T00	COVER, O2 SENSOR	1		
14	37870-KRJ-901	SENSOR ASSY., WATER TEMP ...	1		
15	90011-KYJ-900	BOLT, FLANGE, 6X22(NSHF)	2		
16	90017-KYJ-900	BOLT, FLANGE, 6X32	4		
17	90019-KYJ-900	BOLT, FLANGE, 6X39.5	4		
18	90204-634-000	NUT, FLANGE, 10MM	4		
19	90410-GCC-000	WASHER, 10MM	4		
20	90418-KYJ-900	WASHER, 12.2X17X1.5	2		
21	90454-MC7-000	WASHER, SPECIAL, 12MM	1		
22	91105-KSP-910	DOWEL PIN, 8X14	4		
	94301-08140	4		
23	92900-08022-3E	BOLT, STUD, 8X22	2		
24	94301-12160	PIN A, DOWEL, 12X16	2		
25	95701-06120-00	BOLT, FLANGE, 6X120	2		

E-2

CYLINDER HEAD

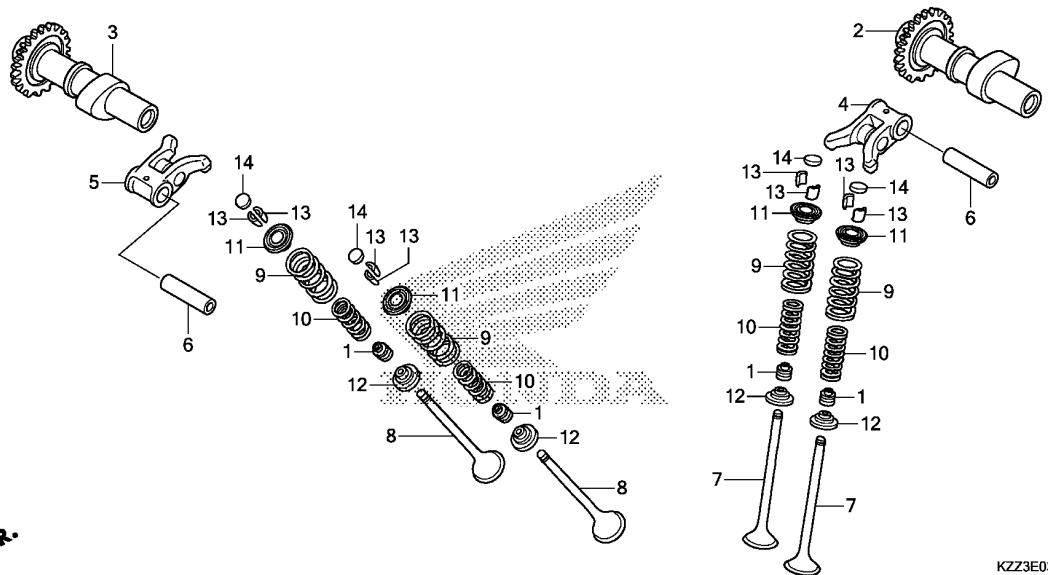
D 3



KZZ3E0200

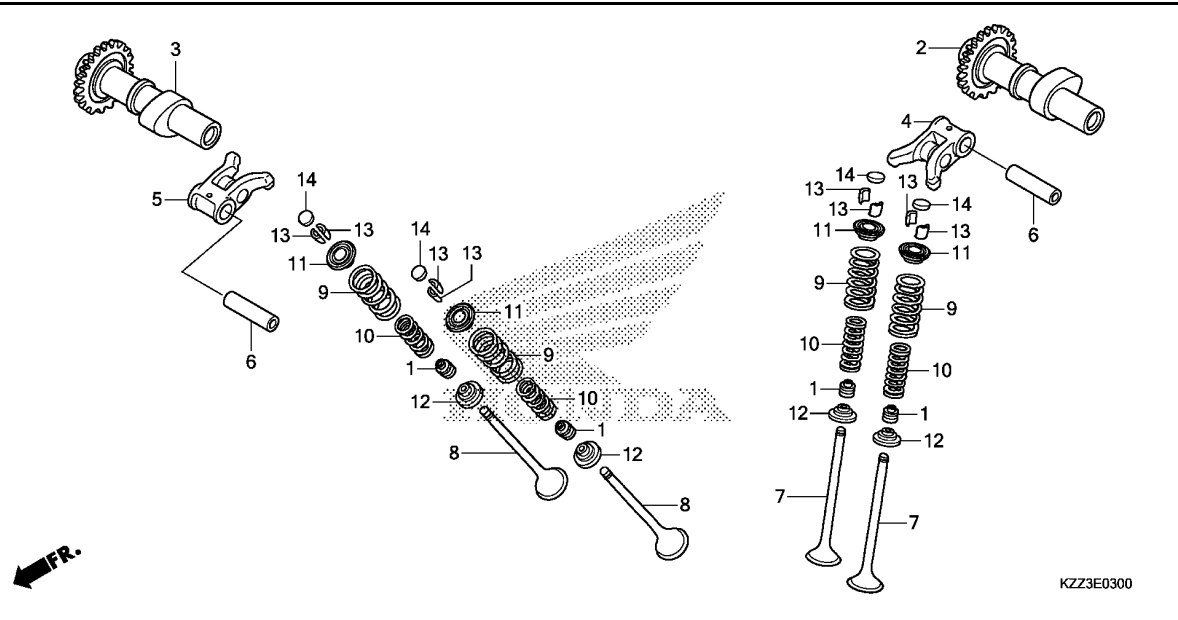
Ref. No.	L.O.N.	(Relative ref. Number) Description	F.R.T.
+ 3		.INCLUDES: Valve adjust and reface	
5	111115	GASKET, CYLINDER HEAD	3.0
		.INCLUDES: Engine removal and installation	
6	311131	INSULATOR, THROTTLE BODY/CARBURETOR	0.7
8	114116	THERMOSTAT	0.4
9	1141B3	COVER, THERMOSTAT	0.3
10	614130	PLUG, SPARK	0.1
11	617121	SENSOR, OXYGEN	0.2
12	6111P8	SUB CORD, OXYGEN SENSOR	0.1
14	6171A9	SENSOR, WATER TEMP	0.4

2



Ref. No.	L.O.N.	(Relative ref. Number) Description	F.R.T.
2	1111E5	CAMSHAFT :INTAKEINCLUDES: Valve clearance adjustment	1.1
3	1111E6	CAMSHAFT :EXHAUSTINCLUDES: Valve clearance adjustment	1.1
	1111T4	CAMSHAFT :FOR 1 VEHICLEINCLUDES: Valve clearance adjustment	1.3
4	1111K8	ARM, INTAKE VALVE ROCKER(ONE) .INCLUDES: Valve adjustment	0.7
5	1111K9	ARM, EXHAUST VALVE ROCKER(ONE) .INCLUDES: Valve adjustment	0.7
	1111L8	ARM, VALVE ROCKER :FOR 1 VEHICLEINCLUDES: Valve adjustment	0.9
7	1111N0	VALVE, INTAKE(ONE)INCLUDES: Engine removal and installation .INCLUDES: Refacing	3.4
	1111NOA	.Replace all intake valve add	0.2
8	1111N1	VALVE, EXHAUST(ONE)INCLUDES: Engine removal and installation .INCLUDES: Refacing	3.4
+			

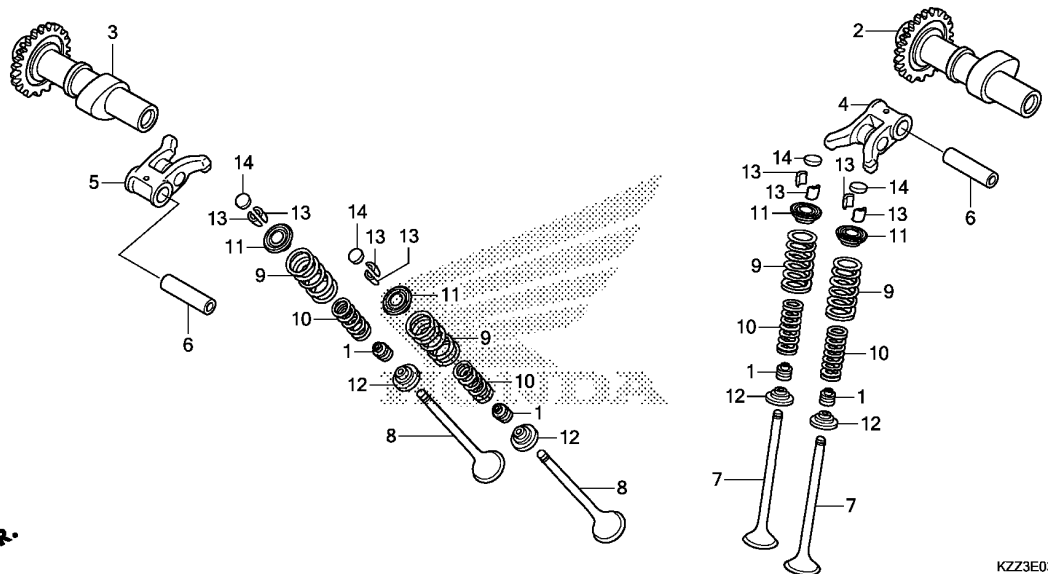
Ref. No.	Part No.	Description	Reqd. QTY	Serial No.	Parts catalogue code
			CRF 250L D		
1	12209-ML0-722	SEAL, VALVE STEM(ARAI)	4		
2	14110-KYJ-900	CAMSHAFT COMP., IN.(34T)	1		
3	14210-KYJ-900	CAMSHAFT COMP., EX.(34T)	1		
4	14430-KYJ-900	ARM COMP., IN. VALVE ROCKER ..	1		
5	14440-KYJ-900	ARM COMP., EX. VALVE ROCKER ..	1		
6	14451-KYJ-900	SHAFT, ROCKER ARM	2		
7	14711-KYJ-900	VALVE, IN.	2		
8	14721-KYJ-900	VALVE, EX.	2		
9	14751-KYJ-900	SPRING, VALVE OUTER	4		
10	14761-KYJ-900	SPRING, VALVE INNER	4		
11	14771-MFL-000	RETAINER, VALVE SPRING	4		
12	14775-KYJ-900	SEAT, VALVE SPRING	4		
13	14781-ML0-720	COTTER, VALVE	8		
14	14901-KT7-013	SHIM, TAPPET(1.200)	4		
	14902-KT7-013	SHIM, TAPPET(1.225)	4		
	14903-KT7-013	SHIM, TAPPET(1.250)	4		
	14904-KT7-013	SHIM, TAPPET(1.275)	4		
	14905-KT7-013	SHIM, TAPPET(1.300)	4		
	14906-KT7-013	SHIM, TAPPET(1.325)	4		
	14907-KT7-013	SHIM, TAPPET(1.350)	4		
	14908-KT7-013	SHIM, TAPPET(1.375)	4		
	14909-KT7-013	SHIM, TAPPET(1.400)	4		
	14910-KT7-013	SHIM, TAPPET(1.425)	4		
	14911-KT7-013	SHIM, TAPPET(1.450)	4		
	14912-KT7-013	SHIM, TAPPET(1.475)	4		
	14913-KT7-013	SHIM, TAPPET(1.500)	4		
	14914-KT7-013	SHIM, TAPPET(1.525)	4		



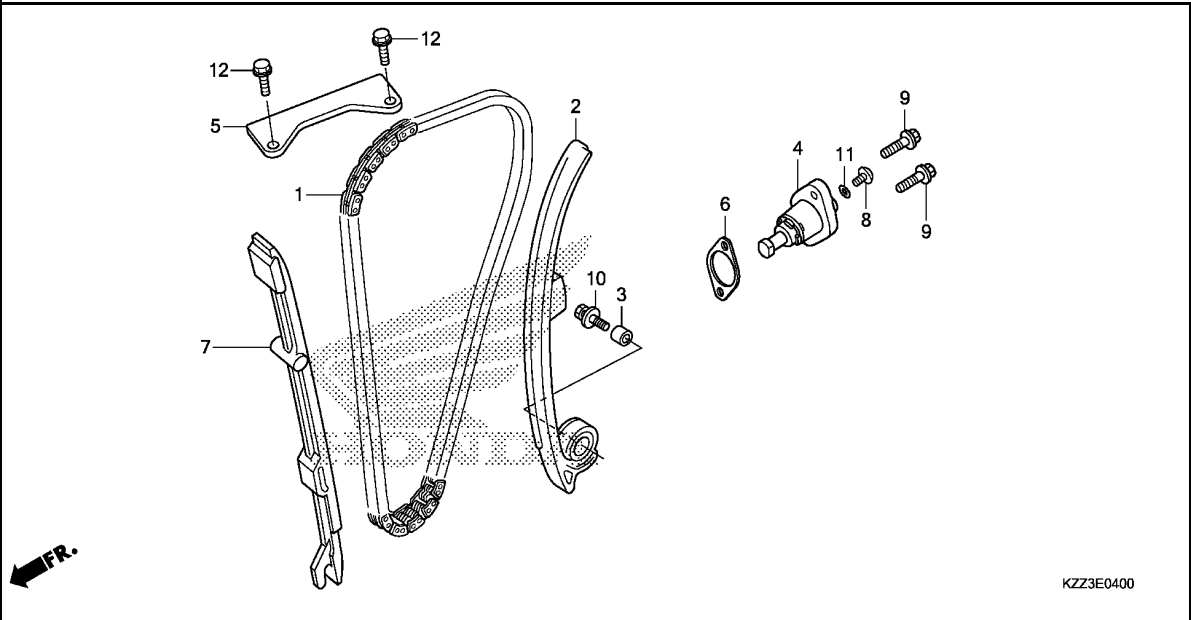
Ref. No.	L.O.N.	(Relative ref. Number) Description	F.R.T.
+ 8	1111N1A	.Replace all exhaust valve add	0.2
	1111P0	VALVE :FOR 1 VEHICLEINCLUDES: Engine removal and installation .INCLUDES: Refacing (1,10,11,12,13)	4.0
9	1111P2	INTAKE VALVE SPRING AND/OR STEM SEAL(ONE)INCLUDES: Engine removal and installation	3.2
	1111P2A	.Replace all intake spring add	0.1
	1111P3	EXHAUST VALVE SPRING AND/OR STEM SEAL(ONE)INCLUDES: Engine removal and installation	3.2
	1111P3A	.Replace all exhaust spring add	0.1
	1111Q2	VALVE SPRING AND/OR STEM SEAL :FOR 1 VEHICLEINCLUDES: Engine removal and installation	3.5

Ref. No.	Part No.	Description	Reqd. QTY	Serial No.	Parts catalogue code
			CRF 250L D		
14)	14915-KT7-013	SHIM, TAPPET(1.550)	4		
	14916-KT7-013	SHIM, TAPPET(1.575)	4		
	14917-KT7-013	SHIM, TAPPET(1.600)	4		
	14918-KT7-013	SHIM, TAPPET(1.625)	4		
	14919-KT7-013	SHIM, TAPPET(1.650)	4		
	14920-KT7-013	SHIM, TAPPET(1.675)	4		
	14921-KT7-013	SHIM, TAPPET(1.700)	4		
	14922-KT7-013	SHIM, TAPPET(1.725)	4		
	14923-KT7-013	SHIM, TAPPET(1.750)	4		
	14924-KT7-013	SHIM, TAPPET(1.775)	4		
	14925-KT7-013	SHIM, TAPPET(1.800)	4		
	14926-KT7-013	SHIM, TAPPET(1.825)	4		
	14927-KT7-013	SHIM, TAPPET(1.850)	4		
	14928-KT7-013	SHIM, TAPPET(1.875)	4		
	14929-KT7-013	SHIM, TAPPET(1.900)	4		
	14930-KT7-013	SHIM, TAPPET(1.925)	4		
	14931-KT7-013	SHIM, TAPPET(1.950)	4		
	14932-KT7-013	SHIM, TAPPET(1.975)	4		
	14933-KT7-013	SHIM, TAPPET(2.000)	4		
	14934-KT7-013	SHIM, TAPPET(2.025)	4		
	14935-KT7-013	SHIM, TAPPET(2.050)	4		
	14936-KT7-013	SHIM, TAPPET(2.075)	4		
	14937-KT7-013	SHIM, TAPPET(2.100)	4		
	14938-KT7-013	SHIM, TAPPET(2.125)	4		
	14939-KT7-013	SHIM, TAPPET(2.150)	4		
	14940-KT7-013	SHIM, TAPPET(2.175)	4		
	14941-KT7-013	SHIM, TAPPET(2.200)	4		
	14942-KT7-013	SHIM, TAPPET(2.225)	4		
	14943-KT7-013	SHIM, TAPPET(2.250)	4		





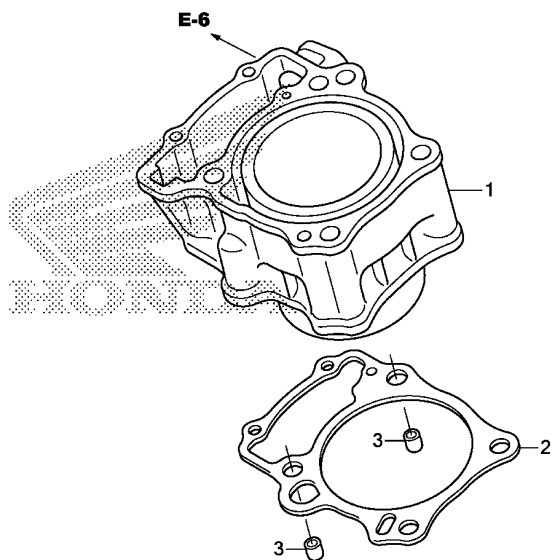
Ref. No.	Part No.	Description	Reqd. QTY	Serial No.	Parts catalogue code
14)	14944-KT7-013	SHIM, TAPPET (2.275)	4		
	14945-KT7-013	SHIM, TAPPET (2.300)	4		
	14946-KT7-013	SHIM, TAPPET (2.325)	4		
	14947-KT7-013	SHIM, TAPPET (2.350)	4		
	14948-KT7-013	SHIM, TAPPET (2.375)	4		
	14949-KT7-013	SHIM, TAPPET (2.400)	4		
	14950-KT7-013	SHIM, TAPPET (2.425)	4		
	14951-KT7-013	SHIM, TAPPET (2.450)	4		
	14952-KT7-013	SHIM, TAPPET (2.475)	4		
	14953-KT7-013	SHIM, TAPPET (2.500)	4		
	14954-KT7-013	SHIM, TAPPET (2.525)	4		
	14955-KT7-013	SHIM, TAPPET (2.550)	4		
	14956-KT7-013	SHIM, TAPPET (2.575)	4		
	14957-KT7-013	SHIM, TAPPET (2.600)	4		
	14958-KT7-013	SHIM, TAPPET (2.625)	4		
	14959-KT7-013	SHIM, TAPPET (2.650)	4		
	14960-KT7-013	SHIM, TAPPET (2.675)	4		
	14961-KT7-013	SHIM, TAPPET (2.700)	4		
	14962-KT7-013	SHIM, TAPPET (2.725)	4		
	14963-KT7-013	SHIM, TAPPET (2.750)	4		
	14964-KT7-013	SHIM, TAPPET (2.775)	4		
	14965-KT7-013	SHIM, TAPPET (2.800)	4		
	14966-KT7-013	SHIM, TAPPET (2.825)	4		
	14967-KT7-013	SHIM, TAPPET (2.850)	4		
	14968-KT7-013	SHIM, TAPPET (2.875)	4		
	14969-KT7-013	SHIM, TAPPET (2.900)	4		



Ref. No.	L.O.N.	(Relative ref. Number) Description	F.R.T.
1	110140	CHAIN, CAMINCLUDES: Engine removal and installation	3.7
2	111130	TENSIONER, CAM CHAININCLUDES: Engine removal and installation	3.5
4	111133	LIFTER, TENSIONER (6)	0.2
5	1111G9	GUIDE B, CAM CHAIN (6)	0.5
7	111139	GUIDE, CAM CHAININCLUDES: Engine removal and installation	3.0

Ref. No.	Part No.	Description	Reqd. QTY	Serial No.	Parts catalogue code
			CRF 250L D		
1	14401-KYJ-901	CHAIN, CAM(128L)(DAIDO)	1		
2	14510-KYJ-900	TENSIONER COMP., CAM CHAIN ..	1		
3	14517-KYJ-900	COLLAR, TENSIONER	1		
4	14520-KZZ-901	LIFTER ASSY., TENSIONER	1		
5	14546-KYJ-900	GUIDE B, CAM CHAIN	1		
6	14560-KGH-900	GASKET, TENSIONER LIFTER	1		
7	14611-KYJ-900	GUIDE A, CAM CHAIN	1		
8	90005-KYJ-900	SCREW, PAN, 6X6	1		
9	90011-KYJ-900	BOLT, FLANGE, 6X22(NSHF)	2		
10	90022-KYJ-900	BOLT-WASHER, 6X25	1		
11	91306-MG3-000	O-RING, 1.5X9.5	1		
12	95701-06014-00	BOLT, FLANGE, 6X14	2		





FR.

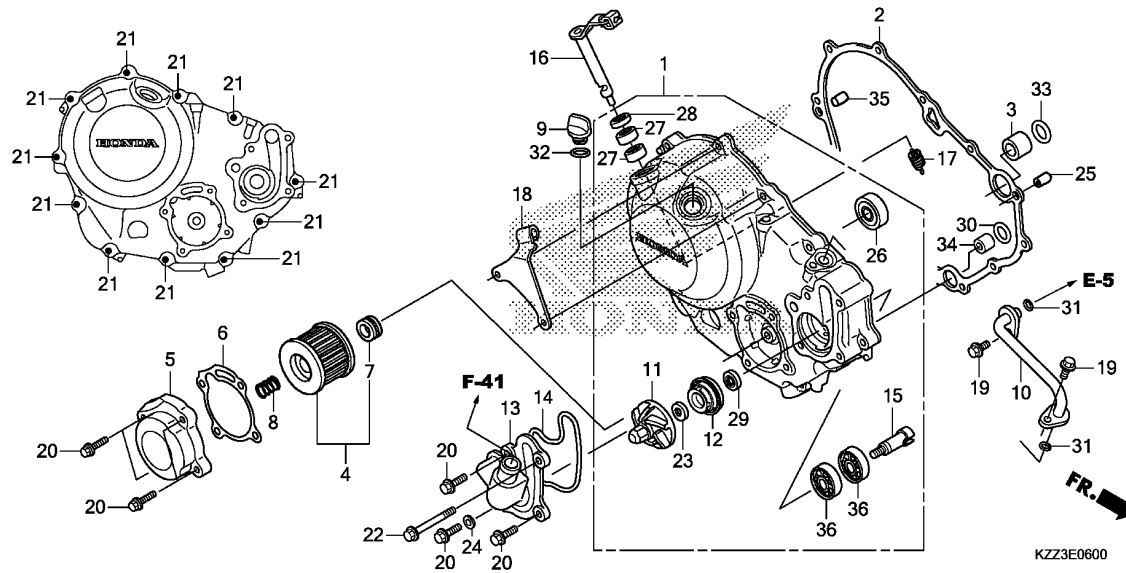
KZZ3E0500

Ref. No.	L.O.N.	(Relative ref. Number) Description	F.R.T.
1	1111A5	CYLINDERINCLUDES: Engine removal and installation	3.4
2	111102	GASKET, CYLINDERINCLUDES: Engine removal and installation	3.3

Ref. No.	Part No.	Description	Reqd. QTY	Serial No.	Parts catalogue code
			CRF 250L D		
1	12100-KZZ-900	CYLINDER COMP.	1		
2	12191-KYJ-900	GASKET, CYLINDER	1		
3	94301-12160	PIN A, DOWEL, 12X16	2		

E-6

RIGHT CRANKCASE COVER

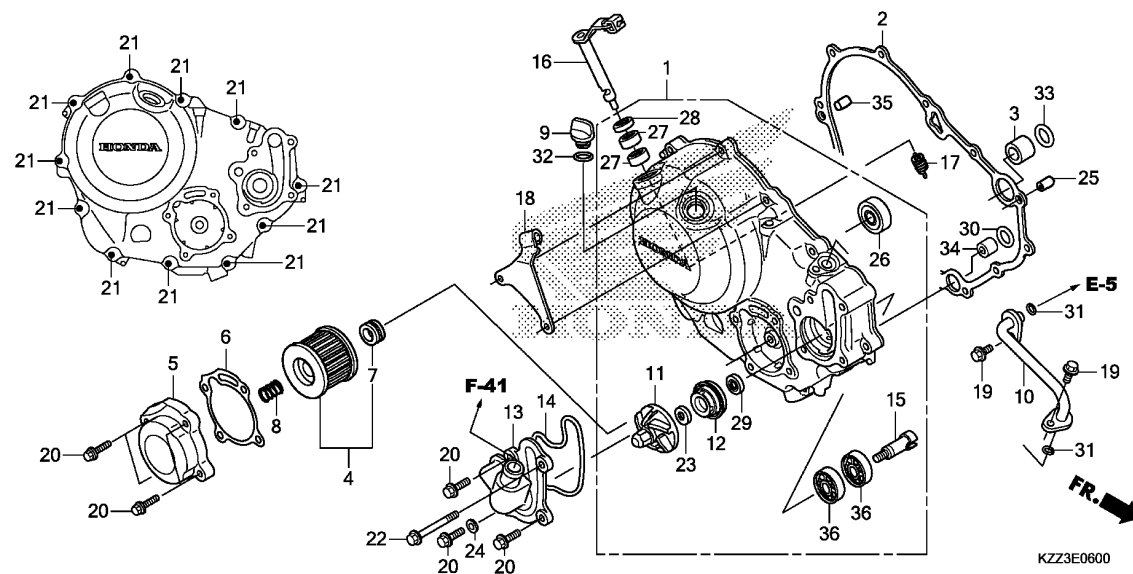


Ref. No.	L.O.N.	(Relative ref. Number) Description	F.R.T.
1	110159	COVER, CRANKCASE :RIGHT (30,33)	0.9
2	110158	GASKET, CRANKCASE COVER :RIGHT (6,7,8)	0.8
4	113127	ELEMENT, OIL FILTER (31)	0.3
10	114125	PIPE, WATER CONNECTING	0.3
11	114105	IMPELLER, WATER PUMP (29)	0.9
12	114110	MECHANICAL SEAL, WATER PUMP (14)	1.2
13	1141B0	COVER, WATER PUMP	0.3
15	1141E7	SHAFT, WATER PUMP	0.9
16	2121A7	LEVER, CLUTCH	0.9
26	1101V8	BEARING, CRANKSHAFT :CRANKCASE COVER SIDE	1.0
36	114144	BEARING, WATER PUMP	1.2

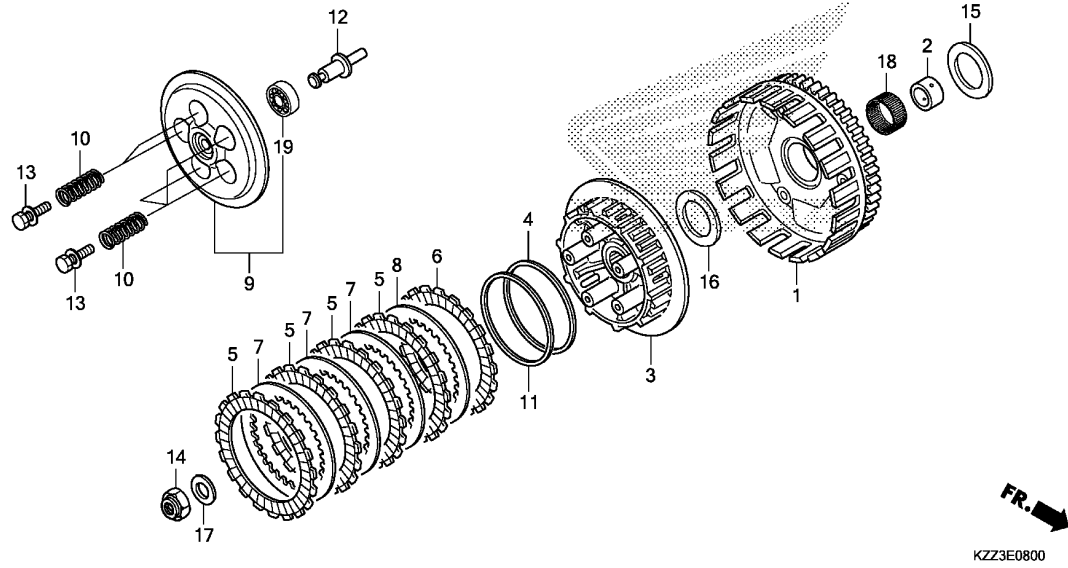
.NOTE: Same time for two units

Ref. No.	Part No.	Description	Reqd. QTY	CRF 250L D	Serial No.	Parts catalogue code
1	11300-KZZ-900	COVER ASSY., R. CRANKCASE	1			
2	11394-KYJ-900	GASKET, R. CRANKCASE COVER	1			
3	15326-KT7-000	COLLAR, OIL PATH, 18MM	1			
4	15410-KYJ-901	ELEMENT, OIL FILTER	1			
5	15411-KZZ-900	COVER, OIL FILTER	1			
6	15412-KYJ-901	GASKET, OIL FILTER COVER	1			
7	15413-MC8-000	RUBBER, FILTER	1			
8	15414-KF0-000	SPRING, OIL FILTER ELEMENT SETTING	1			
9	15611-KA4-710	CAP, OIL FILLER	1			
10	19120-KZZ-900	PIPE COMP., WATER	1			
11	19215-KGH-900	IMPELLER, WATER PUMP	1			
12	19217-P72-013	SEAL, MECHANICAL	1			
13	19220-KZZ-900	COVER COMP., WATER PUMP	1			
14	19226-KYJ-901	GASKET, WATER PUMP COVER	1			
15	19241-KYJ-900	SHAFT, WATER PUMP	1			
16	22810-KZZ-900	LEVER COMP., CLUTCH	1			
17	22815-KM7-700	SPRING, CLUTCH LEVER	1			
18	22821-KZZ-900	RECEIVER, CLUTCH CABLE	1			
19	90010-KYJ-900	BOLT, FLANGE, 6X16(NSHF)	2			
20	90012-KYJ-900	BOLT, FLANGE, 6X25(NSHF)	7			
21	90013-KYJ-900	BOLT, FLANGE, 6X30(NSHF)	11			
22	90015-KYJ-900	BOLT, FLANGE, 6X60(NSHF)	1			
23	90423-KW6-900	WASHER, 7X13X1.2	1			
24	90463-ML7-000	WASHER, SEALING, 6.5MM	1			





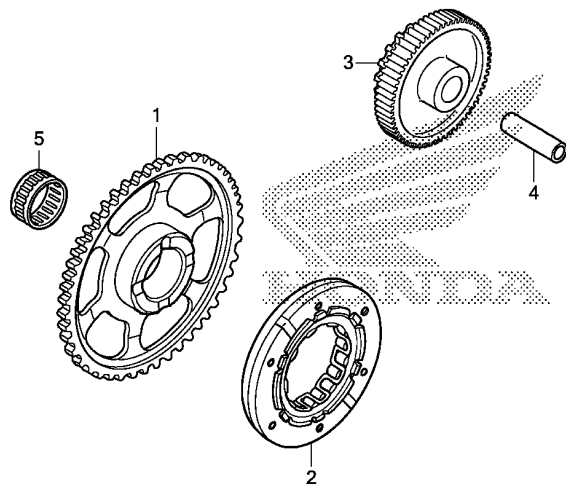
Ref. No.	Part No.	Description	Reqd. QTY		Serial No.	Parts catalogue code
			CRF	250L D		
25	90702-KFM-900	DOWEL PIN, 8X12	1			
26	91009-KYJ-901	BEARING, RADIAL BALL, 6001U	1			
27	91053-719-005	BEARING, NEEDLE, 12X16X10 (NTN)	2			
28	91204-KK0-003	OIL SEAL, 12X18X5 (ARAI)	1			
29	91205-KF0-003	OIL SEAL, 12X20X5 (ARAI)	1			
30	91301-KYJ-901	O-RING, 11.8X1.9	1			
31	91302-KYJ-901	O-RING, 9.8X2.4	2			
32	91307-035-000	O-RING, 18X3	1			
33	91322-PT0-004	O-RING, 17.8X1.9 (ARAI)	1			
34	94301-12160	PIN A, DOWEL, 12X16	1			
35	94302-08140	PIN B, DOWEL, 8X14	1			
36	96100-60013-00	BEARING, RADIAL BALL, 6001	2			



Ref. No.	L.O.N.	(Relative ref. Number) Description	F.R.T.
1		(18)	
1	2121A0	OUTER, CLUTCH	1.2
3	212112	CENTER, CLUTCH	1.2
5		(4,6,7,8,11)	
5	2121A1	DISC, CLUTCH FRICTION	1.0
		.NOTE: Same time for two units or more	
9		(19)	
9	2121A3	PLATE, CLUTCH PRESSURE	0.9
10	212107	SPRING, CLUTCH	0.9
		.NOTE: Same time for two units or more	
12	2121B6	ROD, CLUTCH LIFTER	0.9

Ref. No.	Part No.	Description	Reqd. QTY	Serial No.	Parts catalogue code
			CRF 250L D		
1	22100-KZZ-901	OUTER COMP., CLUTCH(73T)	1		
2	22116-KYJ-900	GUIDE, CLUTCH OUTER	1		
3	22121-KZZ-901	CENTER, CLUTCH	1		
4	22125-KZZ-901	SEAT, JUDDER SPRING	1		
5	22201-KYJ-902	DISK, CLUTCH FRICTION	4		
6	22202-KZZ-901	DISK B, CLUTCH FRICTION	1		
7	22321-KYJ-902	PLATE, CLUTCH	3		
8	22322-KZZ-901	PLATE B, CLUTCH	1		
9	22350-KYJ-902	PLATE COMP., CLUTCH PRESSURE	1		
10	22401-KYJ-902	SPRING, CLUTCH	5		
11	22402-KZZ-902	SPRING, JUDDER	1		
12	22847-KZZ-900	PIN, CLUTCH LIFTER	1		
13	90050-KYJ-902	BOLT, 6X1.0	5		
14	90201-KYJ-900	NUT, SPECIAL, 16MM	1		
15	90404-KVK-900	WASHER, 20X40X2	1		
16	90404-KYJ-902	WASHER, 20X40X2	1		
17	90434-KPS-900	WASHER, 16MM	1		
18	91012-KYJ-901	BEARING, NEEDLE, 28X33X16.8	1		
19	96100-60010-00	BEARING, RADIAL BALL, 6001 ..	1		





FR.

KZZ3E0900

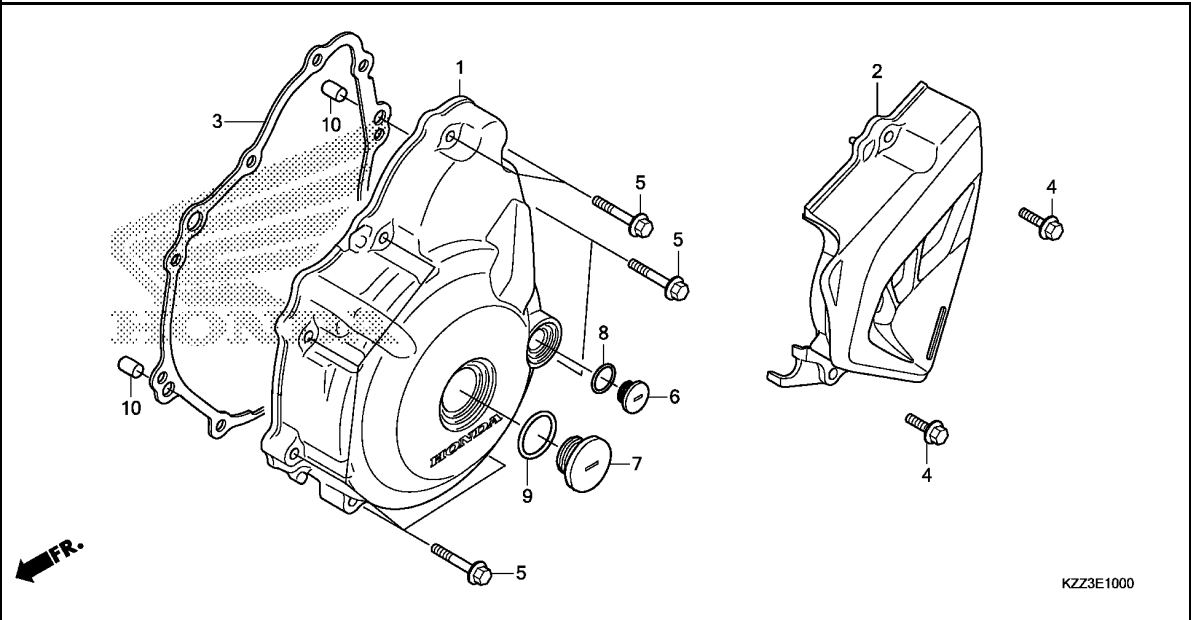
Ref. No.	L.O.N.	(Relative ref. Number) Description	F.R.T.
1	612120	(5) GEAR, STARTER DRIVEN	0.6
2	612131	OUTER, STARTING CLUTCH	0.7
3	612125	GEAR, STARTER REDUCTION	0.4

Ref. No.	Part No.	Description	Reqd. QTY	Serial No.	Parts catalogue code
			CRF 250L D		
1	28110-KYJ-900	GEAR COMP., STARTER DRIVEN (68T)	1		
2	28125-KYJ-901	OUTER COMP., STARTING CLUTCH	1		
3	28130-KYJ-900	GEAR, STARTER REDUCTION (17T/60T)	1		
4	28132-MK5-000	SHAFT C, IDLE GEAR	1		
5	91107-KYJ-902	BEARING, NEEDLE, 29X34X24 ...	1		

E-10

LEFT CRANKCASE COVER

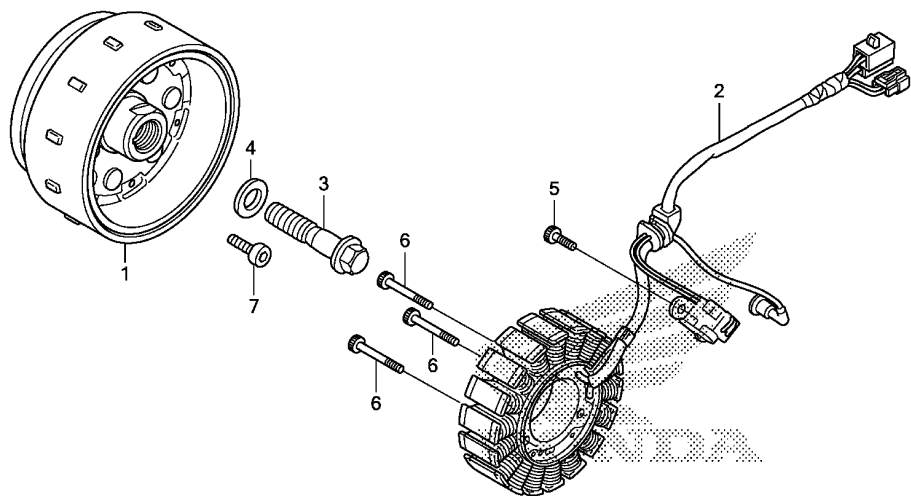
D13



Ref. No.	L.O.N.	(Relative ref. Number) Description	F.R.T.
1	1101A6	COVER, CRANKCASE :LEFT	0.5
2	1101B0	COVER, CRANKCASE :LEFT REAR ..	0.1
3	1101A3	GASKET, CRANKCASE COVER :LEFT	0.4

Ref. No.	Part No.	Description	Reqd. QTY	Serial No.	Parts catalogue code
			CRF 250L D		
1	11341-KZZ-900	COVER, L. CRANKCASE	1		
2	11360-KZZ-900	COVER COMP., L. RR.	1		
3	11395-KYJ-900	GASKET, L. CRANKCASE COVER ..	1		
4	90012-KYJ-900	BOLT, FLANGE, 6X25(NSHF)	2		
5	90013-KYJ-900	BOLT, FLANGE, 6X30(NSHF)	9		
6	90084-KPP-860	CAP, A.C. GENERATOR	1		
7	90087-KPP-860	CAP, 30MM	1		
8	91303-377-000	O-RING, 13.8X2.5	1		
9	91356-KWV-000	O-RING, 30MM	1		
10	94302-08140	PIN B, DOWEL, 8X14	2		

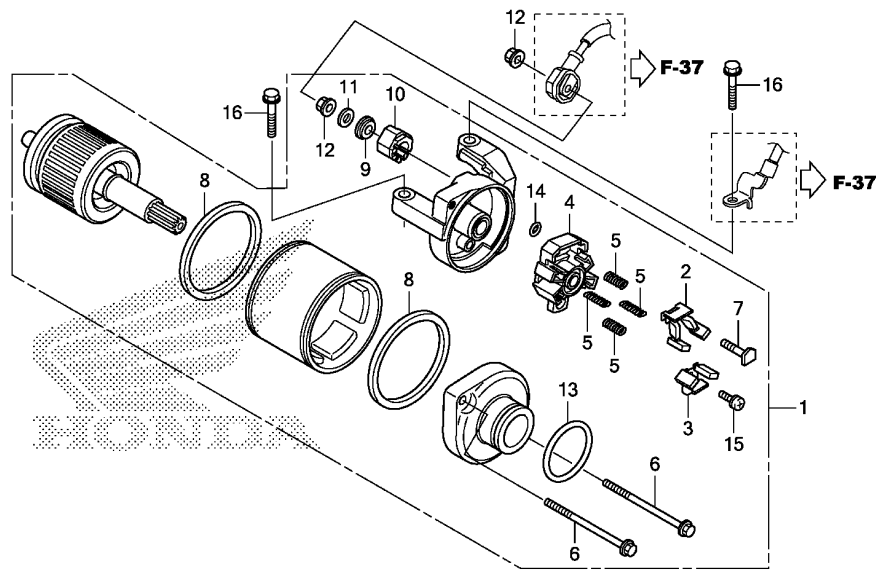
2



KZZ3E1100

Ref. No.	L.O.N.	(Relative ref. Number) Description	F.R.T.
1	613105	ROTOR OR FLYWHEEL	0.7
2	6131A3	STATOR	0.7

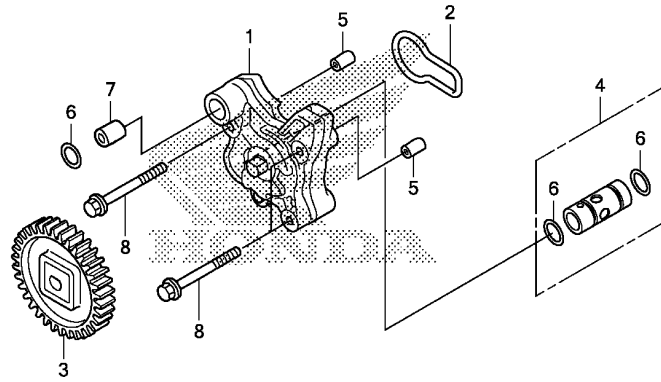
Ref. No.	Part No.	Description	Reqd. QTY	Serial No.	Parts catalogue code
			CRF 250L D		
1	31110-KYJ-901	FLYWHEEL COMP.(DENSO)	1		
2	31120-KZZ-901	STATOR COMP.(DENSO)	1		
3	90023-KYJ-900	BOLT, FLANGE, 12X50	1		
4	90401-KCY-670	WASHER, 12.5X30X5	1		
5	96600-06016-00	BOLT, SOCKET, 6X16	2		
6	96600-06035-00	BOLT, SOCKET, 6X35	3		
7	96600-08020-10	BOLT, SOCKET, 8X20	6		



Ref. No.	L.O.N.	(Relative ref. Number) Description	F.R.T.
1		(13)	
612105		MOTOR, STARTING	0.5
2		(3,4,5,8)	
6121A4		TERMINAL, BRUSH(STARTER)	0.6
.NOTE: Same time for two units			

Ref. No.	Part No.	Description	Reqd. QTY	Serial No.	Parts catalogue code
			CRF 250L D		
1	31200-KZZ-901	MOTOR ASSY., STARTER(MITSUBA)	1		
2	31201-MEW-921	BRUSH SET A, CARBON	1		
3	31202-MEW-921	BRUSH SET B, CARBON	1		
4	31203-MEW-921	HOLDER, BRUSH	1		
5	31204-MEW-921	SPRING, CARBON BRUSH	4		
6	31205-HP5-601	BOLT, SETTING	2		
7	31206-MEW-921	BOLT, TERMINAL	1		
8	31207-HP5-601	RING	2		
9	31208-MEW-921	INSULATOR	1		
10	31209-MEW-921	STOPPER, TERMINAL	1		
11	31210-MEW-921	WASHER	1		
12	90071-MB0-000	NUT-WASHER, 6MM	2		
13	91309-425-003	O-RING, 24.4X3.1(ARAI)	1		
14	91320-MB0-000	O-RING, 4X2	1		
15	93892-05012-08	SCREW-WASHER, 5X12	1		
16	95701-06025-00	BOLT, FLANGE, 6X25	2		



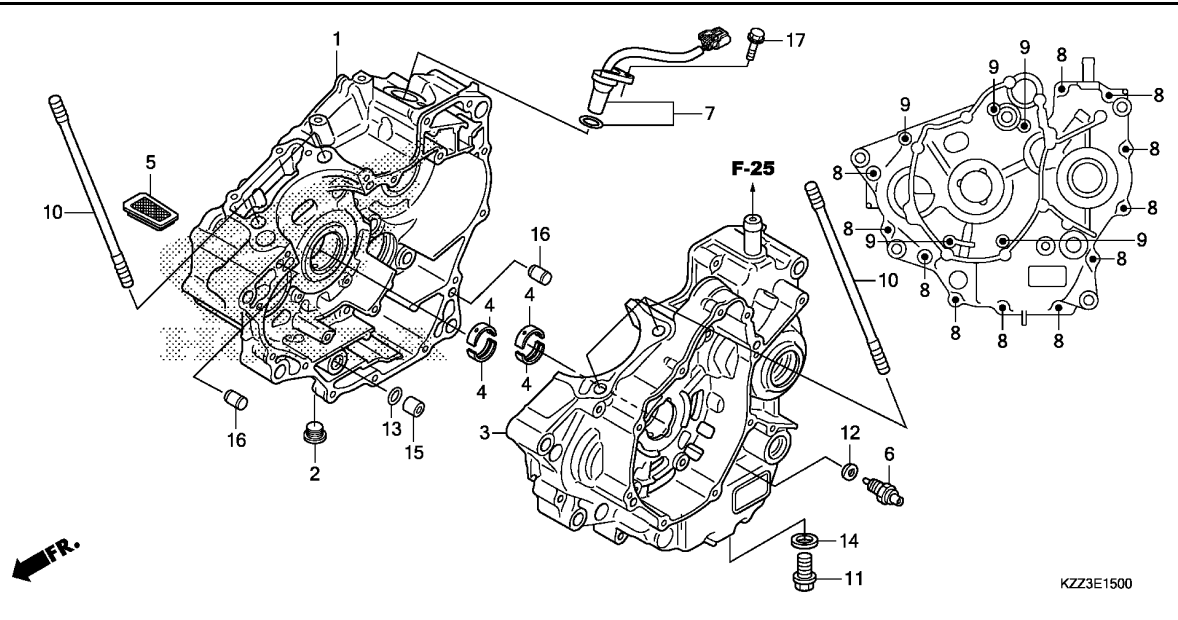


KZZ3E1400

Ref. No.	L.O.N.	(Relative ref. Number) Description	F.R.T.
1		(2)	
113105		PUMP ASSY., OIL	1.0
3		(6)	
1131A2		SPROCKET, OIL PUMP DRIVE	0.8
4		(6)	
113126		VALVE, RELIEF	1.0

Ref. No.	Part No.	Description	Reqd. QTY	Serial No.	Parts catalogue code
			CRF 250L D		
1	15100-KYJ-900	PUMP ASSY., OIL	1		
2	15119-KYJ-901	GASKET, OIL PUMP	1		
3	15130-KYJ-900	GEAR COMP., OIL PUMP(32T) ...	1		
4	15220-KYJ-900	VALVE ASSY., RELIEF	1		
5	90702-KFM-900	DOWEL PIN, 8X12	2		
6	91301-KYJ-901	O-RING, 11.8X1.9	3		
7	94301-12160	PIN A, DOWEL, 12X16	1		
8	95701-06045-00	BOLT, FLANGE, 6X45	3		

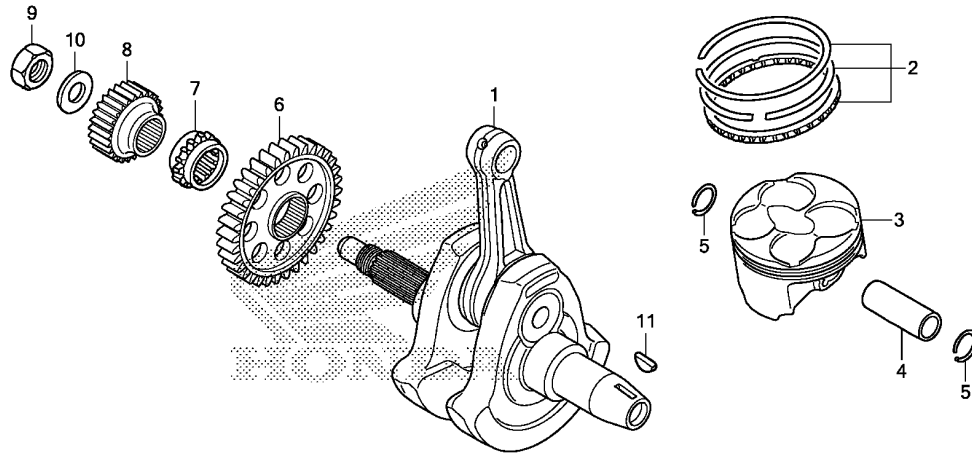
2



Ref. No.	L.O.N.	(Relative ref. Number) Description	F.R.T.
1	110120	(13) CRANKCASE :RIGHTINCLUDES: Engine removal and installation	5.6
3	110115	(13) CRANKCASE :LEFTINCLUDES: Engine removal and installation	5.6
	1101A2	CRANKCASE :BOTHINCLUDES: Engine removal and installation	6.2
4	1101B6	BEARING, CRANKSHAFT :LEFTINCLUDES: Engine removal and installation	5.1
	1101B7	BEARING, CRANKSHAFT :RIGHTINCLUDES: Engine removal and installation	5.1
	1101G0	BEARING, CRANKSHAFT :BOTHINCLUDES: Engine removal and installation	5.3
5	1131B5	SCREEN, OIL FILTER	0.8
6	6151B8	SWITCH, NEUTRAL	0.2
7	617198	SENSOR, SPEEDOMETER	0.3

Ref. No.	Part No.	Description	Reqd. QTY	Serial No.	Parts catalogue code
			CRF 250L D		
1	11100-KZZ-900	CRANKCASE COMP., R.	1		
2	11107-KYJ-900	BOLT, SEALING, 16MM	1		
3	11200-KZZ-900	CRANKCASE COMP., L.	1		
4	13312-KYJ-901	BEARING A, CRANKSHAFT (BLUE) -	4		
	13313-KYJ-901	BEARING B, CRANKSHAFT (BLACK)	4		
	13314-KYJ-901	BEARING C, CRANKSHAFT (BROWN)	4		
	13315-KYJ-305	BEARING D, CRANKSHAFT (RED)	(4)		
	13316-KYJ-305	BEARING E, CRANKSHAFT (GREEN)	(4)		
	13317-KYJ-305	BEARING F, CRANKSHAFT (YELLOW)	(4)		
	13318-KYJ-305	BEARING G, CRANKSHAFT (PINK)	(4)		
5	15421-KYJ-900	SCREEN, OIL FILTER	1		
6	35600-HA0-003	SWITCH ASSY., NEUTRAL (TOYO) -	1		
7	37700-KZZ-901	SENSOR ASSY., SPEED	1		
8	90014-KYJ-900	BOLT, FLANGE, 6X40 (NSHF)	11		
9	90016-KYJ-900	BOLT, FLANGE, 6X70 (NSHF)	5		
10	90032-KYJ-900	BOLT, STUD, 10X178	4		
11	90061-KYJ-900	BOLT, DRAIN PLUG, 12MM	1		
12	90443-KR0-000	WASHER, NEUTRAL SWITCH	1		
13	91301-KYJ-901	O-RING, 11.8X1.9	1		
14	94109-12000	WASHER, DRAIN PLUG, 12MM	1		
15	94301-12160	PIN A, DOWEL, 12X16	1		
16	94302-08140	PIN B, DOWEL, 8X14	2		
17	95701-06018-00	BOLT, FLANGE, 6X18	1		





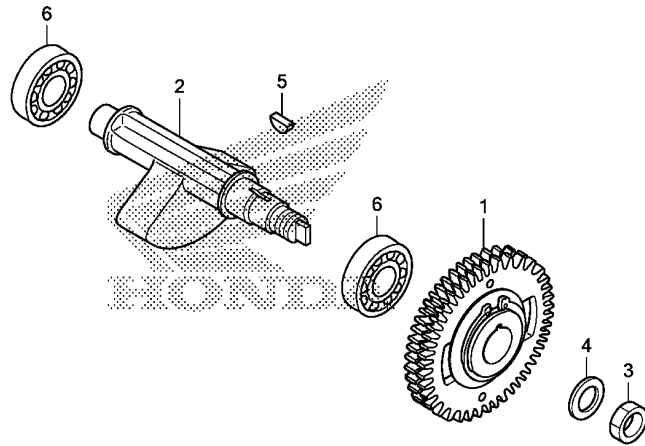
Ref. No.	L.O.N.	(Relative ref. Number) Description	F.R.T.
1	1101B5	CRANKSHAFTINCLUDES: Engine removal and installation (2,4,5)	5.3
3	111103	PISTON RING AND/OR PISTON(ONE)INCLUDES: Engine removal and installation	3.5
6	110183	GEAR, BALANCER DRIVEINCLUDES: Engine removal and installation	3.7
7	1101C8	SPROCKET, TIMINGINCLUDES: Engine removal and installation	3.7
8	211105	GEAR, PRIMARY DRIVEINCLUDES: Engine removal and installation	1.2

Ref. No.	Part No.	Description	Reqd. QTY	Serial No.	Parts catalogue code
			CRF 250L D		
1	13000-KYJ-902	CRANKSHAFT COMP.	1		
2	13010-KYJ-305	RING SET, PISTON(STD.)	1		
3	13101-KYJ-900	PISTON(STD.)INCLUDES: Engine removal and installation	1		
4	13111-MEL-000	PIN, PISTONINCLUDES: Engine removal and installation	1		
5	13112-KYJ-900	CLIP, PISTON PIN, 17MMINCLUDES: Engine removal and installation	2		
6	13417-KYJ-900	GEAR, BALANCER DRIVE(34T) ...	1		
7	14311-KYJ-900	SPROCKET, TIMING(17T)INCLUDES: Engine removal and installation	1		
8	23121-KYJ-900	GEAR, PRIMARY DRIVE(26T) ...	1		
9	90235-KYJ-900	NUT, LOCK, 16MMINCLUDES: Engine removal and installation	1		
10	90434-KPS-900	WASHER, 16MMINCLUDES: Engine removal and installation	1		
11	90742-KYJ-900	KEY, WOODRUFF, 25X18INCLUDES: Engine removal and installation	1		

E-16-10

BALANCER SHAFT

E 3



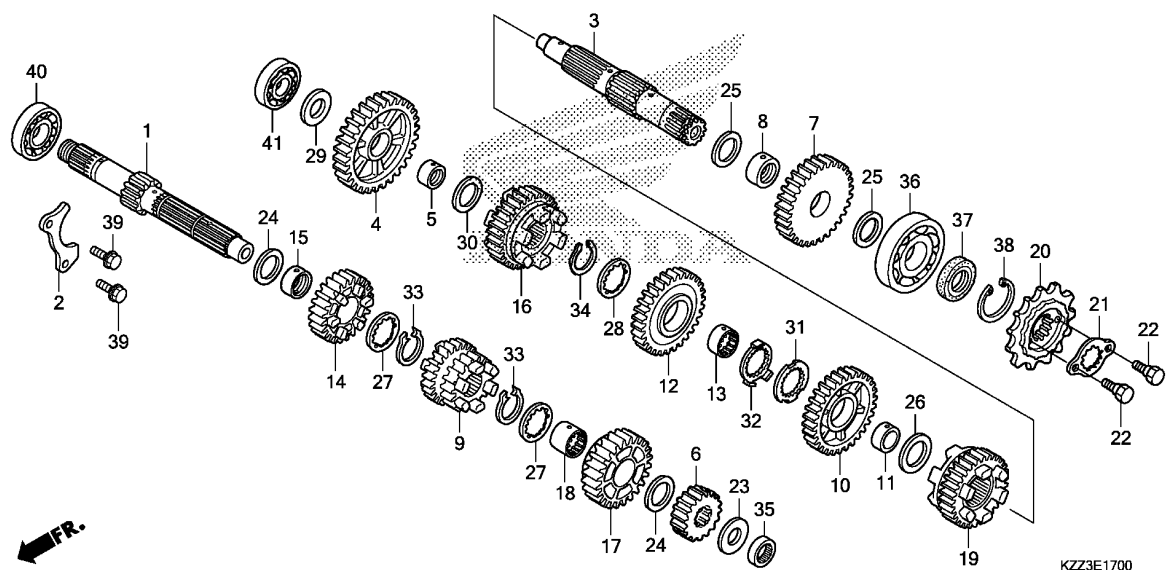
FR. →

Ref. No.	L.O.N.	(Relative ref. Number) Description	F.R.T.
1	1101L5	GEAR, BALANCER DRIVENINCLUDES: Engine removal and installation	3.8
2	110185	SHAFT, BALANCERINCLUDES: Engine removal and installation	4.7
6	1101G3	BEARING, BALANCER SHAFT :LEFT .INCLUDES: Engine removal and installation	4.9
	1101G4	BEARING, BALANCER SHAFT :RIGHT .INCLUDES: Engine removal and installation	4.9
	1101G5	BEARING, BALANCER SHAFT :BOTH .INCLUDES: Engine removal and installation	5.1

KZZ3E1610

Ref. No.	Part No.	Description	Reqd. QTY	Serial No.	Parts catalogue code
			CRF 250L D		
1	13410-KYJ-901	GEAR ASSY., BALANCER DRIVEN (34T)	1		
2	13421-KYJ-900	SHAFT, BALANCER	1		
3	90204-KYJ-900	NUT, HEX., 14MM	1		
4	90433-MEY-670	WASHER, 14.2X24	1		
5	90741-KFB-000	KEY, WOODRUFF, 4MM	1		
6	91008-KYJ-901	BEARING, RADIAL BALL, 6204 (SPECIAL)	2		

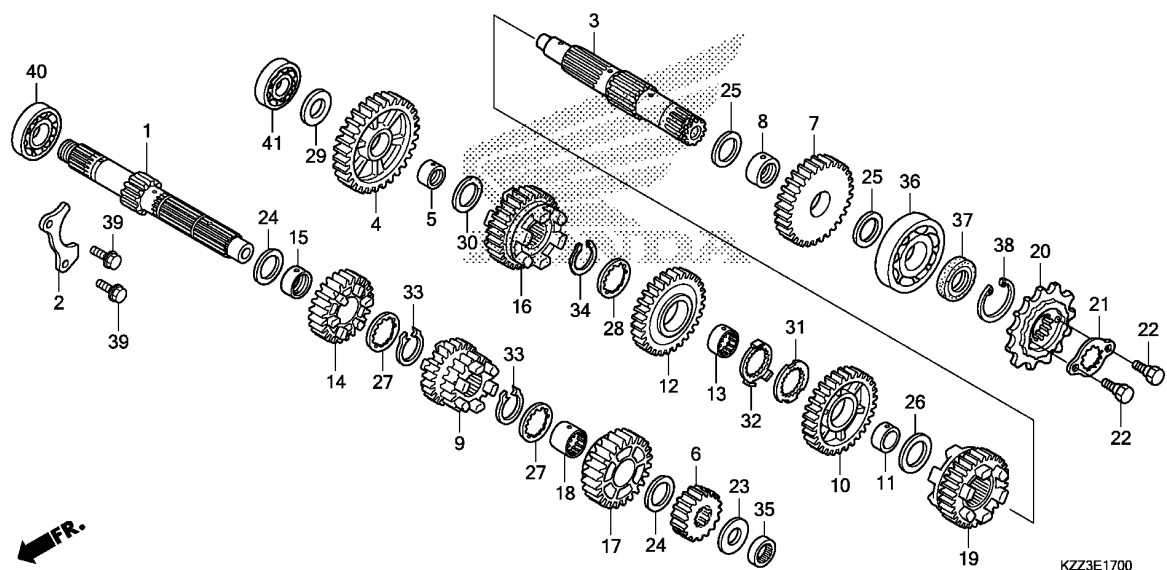
2



Ref. No.	L.O.N.	(Relative ref. Number) Description	F.R.T.
1		(6,9,14,17)	
210141		MAINSHAFT, TRANSMISSION	4.9
		.INCLUDES: Engine removal and installation	
210141A		.Replace countershaft add	0.2
3		(4,7,10,12,16,19)	
210142		COUNTERSHAFT, TRANSMISSION ...	4.9
		.INCLUDES: Engine removal and installation	
210142A		.Replace mainshaft add	0.2
20	213135	SPROCKET, DRIVE	0.3
35	2101C2	BEARING, MAINSHAFT :LEFT	4.9
		.INCLUDES: Engine removal and installation	
36	2101C7	BEARING, COUNTERSHAFT :LEFT ..	4.9
		.INCLUDES: Engine removal and installation	
40	2101C5	BEARING, MAINSHAFT :RIGHT	4.9
		.INCLUDES: Engine removal and installation	
	2101C6	BEARING, MAINSHAFT :BOTH	5.1
		.INCLUDES: Engine removal and installation	
+41	2101C8	BEARING, COUNTERSHAFT :RIGHT ..	4.9

Ref. No.	Part No.	Description	Reqd. QTY	CRF 250L D	Serial No.	Parts catalogue code
1	23211-KZZ-900	MAINSHAFT(12T)	1			
2	23212-KYJ-900	PLATE, BEARING SETTING	1			
3	23221-KZZ-900	COUNTERSHAFT	1			
4	23411-KZZ-900	GEAR, COUNTERSHAFT LOW(40T) ..	1			
5	23412-KYJ-900	COLLAR, 20X23X10.5	1			
6	23421-KZZ-900	GEAR, MAINSHAFT SECOND(17T) ..	1			
7	23431-KZZ-900	GEAR, COUNTERSHAFT SECOND(36T)	1			
8	23432-KYJ-900	COLLAR, 22X25X11	1			
9	23441-KZZ-900	GEAR, MAINSHAFT THIRD & FOURTH (21T/23T)	1			
10	23451-KZZ-900	GEAR, COUNTERSHAFT THIRD(33T)	1			
11	23452-KYJ-900	COLLAR, 25X28X10	1			
12	23471-KZZ-900	GEAR, COUNTERSHAFT FOURTH(30T)	1			
13	23472-KYJ-900	COLLAR, SPLINE, 25X10	1			
14	23481-KZZ-900	GEAR, MAINSHAFT FIFTH(26T) ..	1			
15	23482-KYJ-900	BUSH, 20X23X17.4	1			
16	23491-KZZ-900	GEAR, COUNTERSHAFT FIFTH(29T)	1			
17	23501-KZZ-900	GEAR, MAINSHAFT SIXTH(27T) ..	1			
18	23502-KYJ-900	COLLAR, SPLINE, 23MM	1			
19	23511-KZZ-900	GEAR, COUNTERSHAFT SIXTH(26T)	1			
20	23801-KYJ-940	SPROCKET COMP., DRIVE(14T) ..	1			
21	23802-KYJ-900	PLATE, FIXING	1			
22	90084-041-000	BOLT, DRIVE SPROCKET FIXING ..	2			
23	90405-KYJ-900	WASHER, 17X26X1.0	1			
24	90406-KYJ-900	WASHER, 20X27X1.0	2			

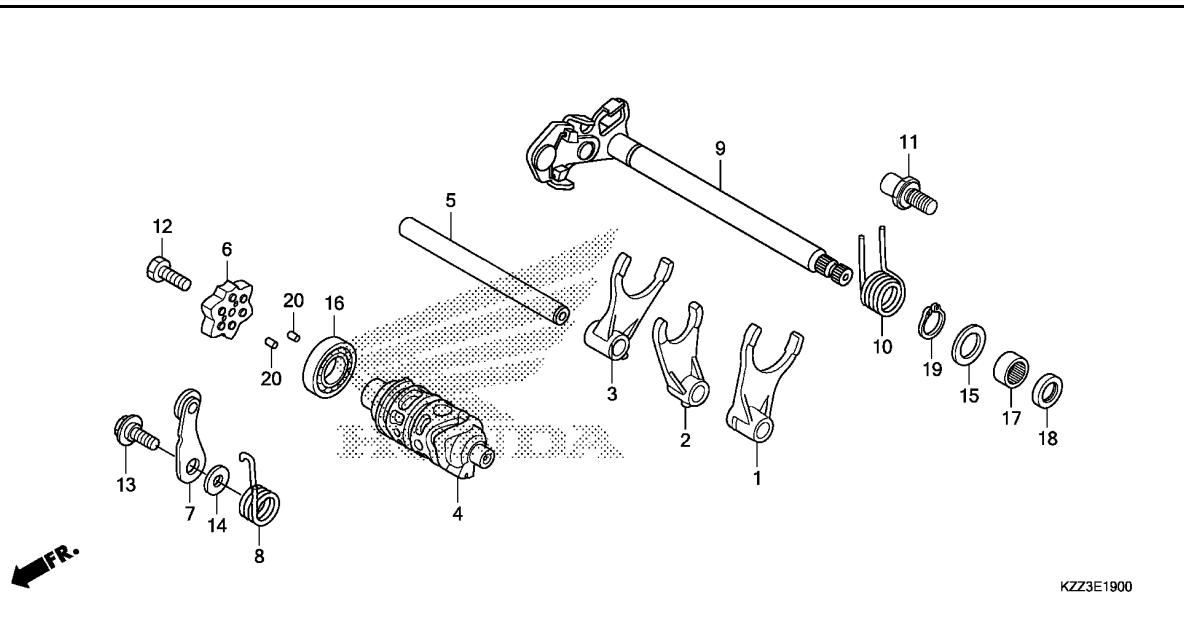
2



Ref. No.	L.O.N.	(Relative ref. Number) Description	F.R.T.
+41		.INCLUDES: Engine removal and installation	
2101C9		BEARING, COUNTERSHAFT :BOTH ..	5.1
		.INCLUDES: Engine removal and installation	
2101D4		BEARING, MAINSHAFT AND COUNTERSHAFT :ALL	5.3
		.INCLUDES: Engine removal and installation	

Ref. No.	Part No.	Description	Reqd. QTY	Serial No.	Parts catalogue code
			CRF 250L D		
25	90407-KYJ-900	WASHER, 22X29X1.0	2		
26	90408-KYJ-900	WASHER, 25X32X1.0	1		
27	90451-KYJ-900	WASHER, SPLINE, 20X26X1.6 ...	2		
28	90452-KYJ-900	WASHER, SPLINE, 25X31X1.0 ...	1		
29	90453-KYJ-900	WASHER, 17X28X1.0	1		
30	90454-KPS-900	WASHER B, THRUST, 20MM	1		
31	90454-KYJ-900	WASHER, SPLINE, 25X42X1.6 ...	1		
32	90455-KYJ-900	WASHER, LOCK, 25MM	1		
33	90601-KYJ-900	CIRCLIP, EXTERNAL, 20MM	2		
34	90602-KYJ-900	CIRCLIP, EXTERNAL, 25MM	1		
35	91003-KYJ-901	BEARING, NEEDLE, 17X27X13 ...	1		
36	91005-KYJ-901	BEARING, RADIAL BALL (63/22) ..	1		
37	91207-KYJ-901	OIL SEAL, 22X36X5	1		
38	94520-37000	CIRCLIP, INTERNAL, 37MM	1		
39	95701-06014-00	BOLT, FLANGE, 6X14	2		
40	96100-63040-00	BEARING, RADIAL BALL, 6304 ..	1		
41	96140-62030-00	BEARING, RADIAL BALL, 6203U ..	1		





Ref. No.	L.O.N.	(Relative ref. Number) Description	F.R.T.
1		(2,3)	
210112		FORK, GEARSHIFTINCLUDES: Engine removal and installation .NOTE: Same time for two units or more	4.9
4	2101A9	DRUM, GEARSHIFTINCLUDES: Engine removal and installation	4.9
6	2101D6	PLATE, GEARSHIFT DRUM STOPPER (8)	1.3
7	210125	STOPPER OR SPRING, SHIFT DRUM (10)	1.3
9	210122	SPINDLE, GEARSHIFT	1.3
18	1101F9	OIL SEAL, GEARSHIFT SPINDLE ..	1.3

Ref. No.	Part No.	Description	Reqd. QTY	Serial No.	Parts catalogue code
			CRF 250L D		
1	24211-KZZ-900	FORK, L. GEARSHIFT	1		
2	24212-KZZ-900	FORK, CENTER GEARSHIFT	1		
3	24213-KZZ-900	FORK, R. GEARSHIFT	1		
4	24301-KYJ-900	DRUM, GEARSHIFT	1		
5	24321-KYJ-900	SHAFT, GEARSHIFT FORK	1		
6	24410-KYJ-900	PLATE COMP., GEARSHIFT DRUM STOPPER	1		
7	24430-KGH-901	STOPPER COMP., GEARSHIFT DRUM	1		
8	24435-KYJ-900	SPRING, DRUM STOPPER	1		
9	24610-KYJ-900	SPINDLE COMP., GEARSHIFT	1		
10	24651-KRM-840	SPRING, GEARSHIFT RETURN	1		
11	24652-KRM-840	PIN, SHIFT RETURN SPRING	1		
12	90003-KVS-900	BOLT, HEX., 6X20	1		
13	90022-MG8-000	PIVOT, SHIFT DRUM STOPPER ARM	1		
14	90435-HB3-000	WASHER, 6.1MM	1		
15	90457-KRM-840	WASHER, 14MM	1		
16	91015-MCA-003	BEARING, RADIAL BALL, 6905 ..	1		
17	91101-121-691	BEARING, NEEDLE, 14MM(TOYO) ..	1		
18	91203-KSP-911	OIL SEAL, 14X22X5	1		
19	94510-14000	CIRCLIP, EXTERNAL, 14MM	1		
20	96220-30085	ROLLER, 3X8.5	2		

2

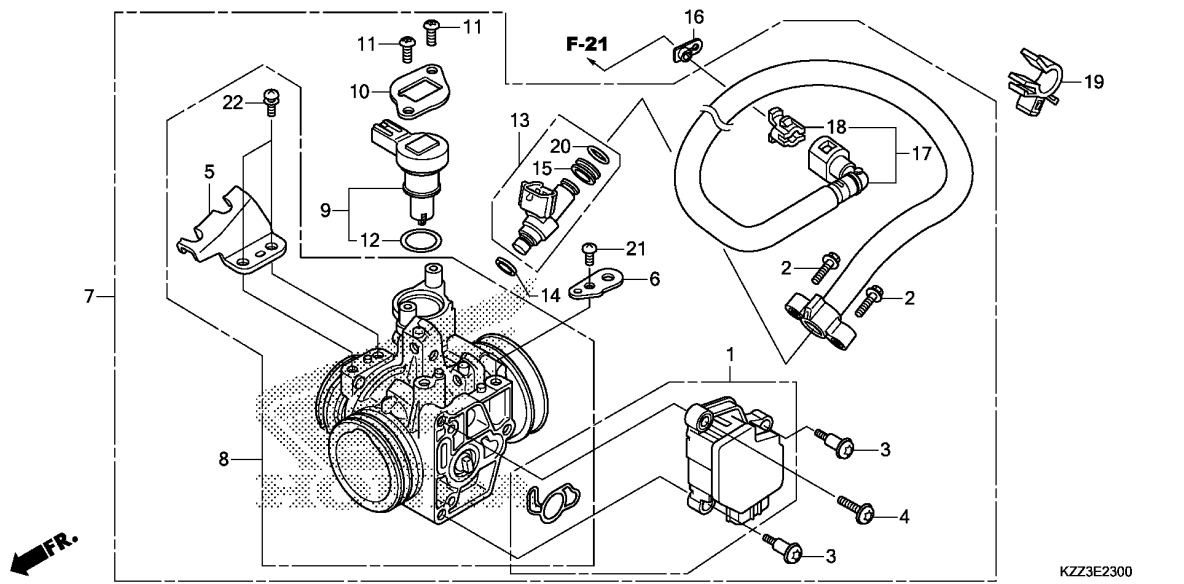
IFR.

KZZ3E1900

E-23

THROTTLE BODY

E 7



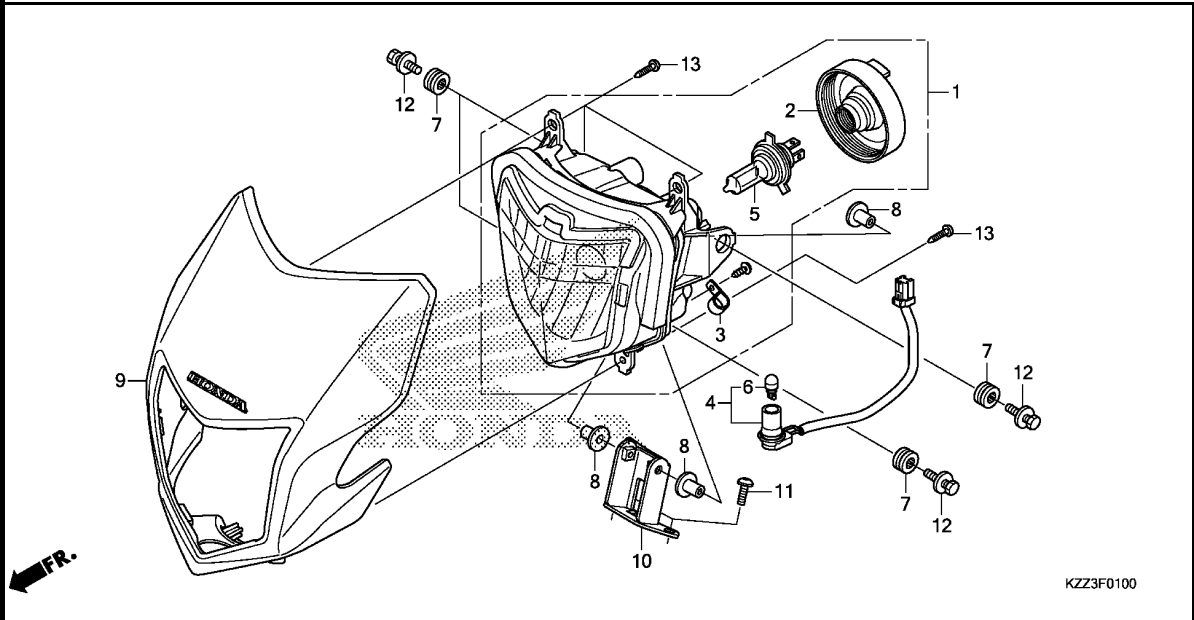
Ref. No.	L.O.N.	(Relative ref. Number) Description	F.R.T.
1	617115	SENSOR, THROTTLE	0.8
7	311132	BODY ASSY., THROTTLE	0.7
8	311130	BODY, THROTTLE	0.8
9		(12)	
13	3111N5	VALVE, IDLE AIR CONTROL	0.5
		(14,20)	
	311145	INJECTOR, FUEL	0.6
17	310162	HOSE, FUEL FEED	0.5

Ref. No.	Part No.	Description	Reqd. QTY	Serial No.	Parts catalogue code
			CRF 250L D		
1	16060-KYJ-901	SENSOR SET	1		
2	16080-KPH-701	BOLT, FLANGE, 5X20	2		
3	16081-KYJ-901	SCREW, TORX, 5X8.7	2		
4	16082-KYJ-901	SCREW, TORX, 5X17	1		
5	16169-MFR-671	STAY, WIRE	1		
6	16196-HP6-A01	STAY, HARNESS CLAMPER	1		
7	16400-KZZ-901	BODY ASSY., THROTTLE(GQ32A A)	1		
8	16410-KZZ-901	BODY SET	1		
9	16430-KYJ-901	VALVE SET, IDLE AIR CONTROL	1		
10	16432-MFE-641	PLATE, IDLE AIR CONTROL VALVE	1		
11	16433-HN8-A61	SCREW, TORX	2		
12	16435-HN8-A61	O-RING, 17.8X1.9	1		
13	16450-MFE-641	INJECTOR ASSY., FUEL	1		
14	16472-MCW-000	SEAL RING, INJECTOR	1		
15	16473-P7A-004	CUSHION RING, INJECTOR	1		
16	16719-MEW-920	DAMPER, CONNECTOR	1		
17	17526-KZZ-901	HOSE COMP., FUEL FEED	1		
18	17711-MGE-003	RETAINER	1		
19	90611-KZZ-901	CLAMP, HOSE (BLACK)	1		
20	91301-P7A-004	O-RING, 7.8X1.9	1		
21	93500-05010-1H	SCREW, PAN, 5X10	1		
22	93892-05012-18	SCREW-WASHER, 5X12	2		

2

F-1

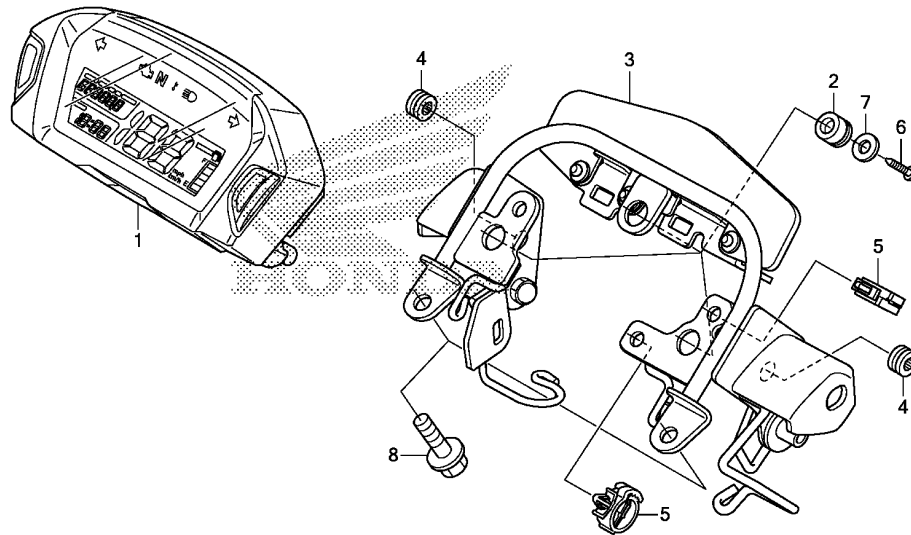
HEADLIGHT



Ref. No.	L.O.N.	(Relative ref. Number) Description	F.R.T.
1	6161A7	HEADLIGHT UNIT	0.3
5		(2)	
5	616118	BULB, HEADLIGHT	0.1
9	4111L3	COWL, FRONT CENTER	0.2



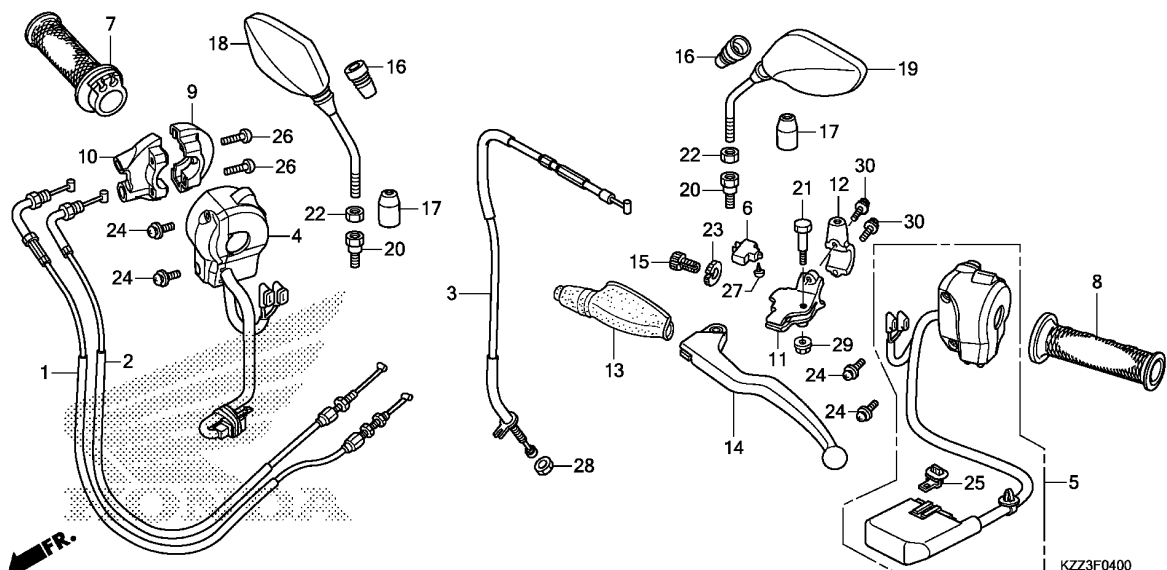
Ref. No.	Part No.	Description	Reqd. QTY	Serial No.	Parts catalogue code
			CRF 250L D		
1	33110-KZZ-931	HEADLIGHT UNIT COMP. (12V 60/55W)	1		
2	33112-KWR-003	COVER, RUBBER	1		
3	33116-KPP-T01	CLAMP, CORD	1		
4	33150-KZZ-931	SOCKET COMP., POSITION LIGHT	1		
5	34901-KWR-003	BULB, HEADLIGHT(H4) (12V 60/55W)(K0ITO)	1		
6	34908-SB6-003	BULB(12V 5W)(K0ITO)	1		
7	61103-357-000	RUBBER, FR. FENDER MOUNTING	4		
8	61104-KZZ-900	COLLAR	3		
9	61140-KZZ-900ZD	VISOR SET, FR.(WL) *TYPE1*	1		
10	61330-KZZ-900	STAY, HEADLIGHT LOWER	1		
11	90006-KTW-900	BOLT, SPECIAL, 6X18	2		
12	90104-KZZ-900	BOLT, WASHER, 6X22	4		
13	93913-25480	SCREW, TAPPING, 5X16(PO)	4		



Ref. No.	L.O.N.	(Relative ref. Number) Description	F.R.T.
1	8121A2	METER, COMBINATION	0.3
3	8121A4	BRACKET, METER	0.5

Ref. No.	Part No.	Description	Reqd. QTY		Serial No.	Parts catalogue code
			CRF	250L		
1	37100-KZZ-871	METER ASSY., COMBINATION (MPH/KPH)	1		----- E	
	37100-KZZ-901	METER ASSY., COMBINATION(KPH)	1		----- ED,F,PH,U	
2	37215-KZZ-900	RUBBER, METER SETTING	3			
3	61315-KZZ-900	STAY COMP., METER	1			
4	61328-MJ6-000	RUBBER, HEADLIGHT MOUNTING ..	2			
5	90652-KZZ-901	CLIP	2			
6	93913-25380	SCREW, TAPPING, 5X14(P0)	3			
7	94103-05700	WASHER, PLAIN, 5MM	3			
8	95701-08020-00	BOLT, FLANGE, 8X20	2			



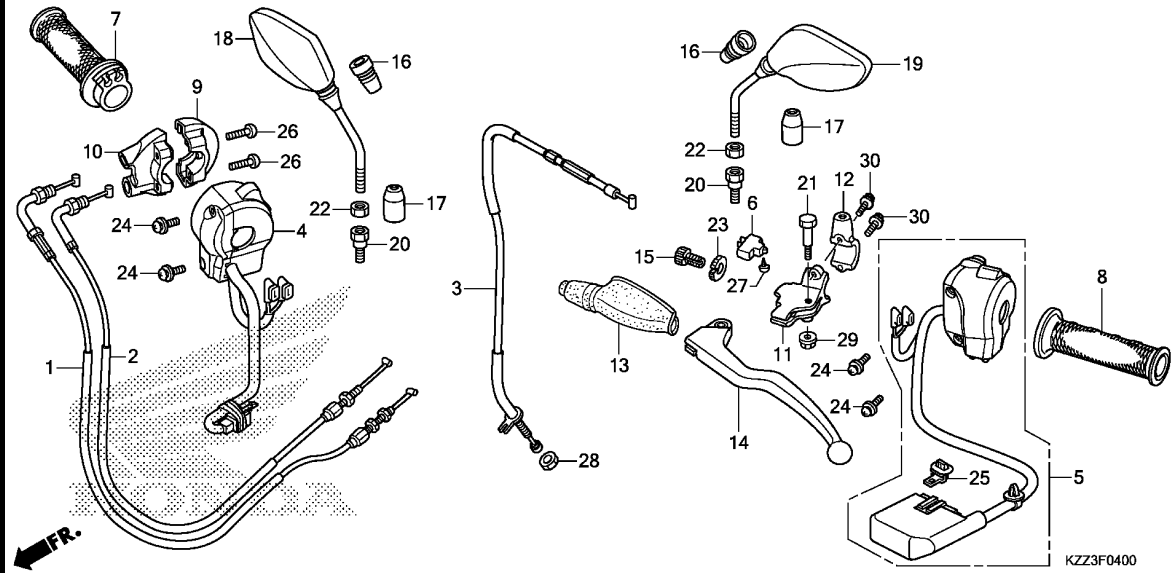


Ref. No.	L.O.N.	(Relative ref. Number) Description	F.R.T.
1		(2)	
1	811100	CABLE, THROTTLE	0.4
		.NOTE: Same time for two units	
3	811115	CABLE, CLUTCH	0.3
4	6151D8	SWITCH, ENGINE STOP	0.4
5	615118	SWITCH, WINKER	0.4
6	6151A9	SWITCH, CLUTCH	0.1
7	810150	GRIP, THROTTLE	0.3
8	8101C0	GRIP, HANDLE :LEFT	0.1
10	810155	HOUSING, THROTTLE	0.4
11	8101C8	BRACKET, HANDLE LEVER :LEFT ..	0.2
14	8101C6	LEVER, HANDLE :LEFT	0.1
	8101F5	LEVER, HANDLE :BOTH	0.2

Ref. No.	Part No.	Description	Reqd. QTY	Serial No.	Parts catalogue code
			CRF 250L D		
1	17910-KZZ-900	CABLE COMP. A, THROTTLE	1		
2	17920-KZZ-900	CABLE COMP. B, THROTTLE	1		
3	22870-KZZ-900	CABLE COMP., CLUTCH	1		
4	35130-KZZ-901	SWITCH ASSY., ENGINE STOP ...	1		
5	35200-KZZ-931	SWITCH ASSY., WINKER	1		
6	35330-MK5-003	SWITCH ASSY., CLUTCH	1		
7	53140-KZZ-900	GRIP COMP., THROTTLE	1		
8	53150-KZZ-900	GRIP, L. HANDLE	1		
9	53167-MGS-D30	HOUSING, UPPER THROTTLE	1		
10	53168-MGS-D30	HOUSING, UNDER THROTTLE	1		
11	53172-KZZ-900	BRACKET, L. HANDLE LEVER	1		
12	53174-KZZ-900	HOLDER, L. LEVER BRACKET	1		
13	53177-KZZ-900	COVER, L. HANDLE LEVER	1		
14	53178-KZZ-900	LEVER, L. HANDLE	1		
15	53192-268-000	BOLT, WIRE ADJUSTING	1		
16	88114-KWN-900	BOOT, MIRROR	2		
17	88115-KWN-900	CAP, LOCK NUT	2		
18	88210-KWN-900	MIRROR COMP., R.	1		
19	88220-KWN-900	MIRROR COMP., L.	1		
20	90103-KZR-701	BOLT B, ADAPTER, 10MM	2		
21	90113-HA0-770	BOLT, HANDLE LEVER PIVOT	1		
22	90302-KZR-701	NUT, HEX., 10MM (LEFT HAND THREAD)	2		
23	90321-315-670	NUT, FIXING	1		
24	90508-KZZ-900	SCREW-WASHER, 5X16	4		

F-4

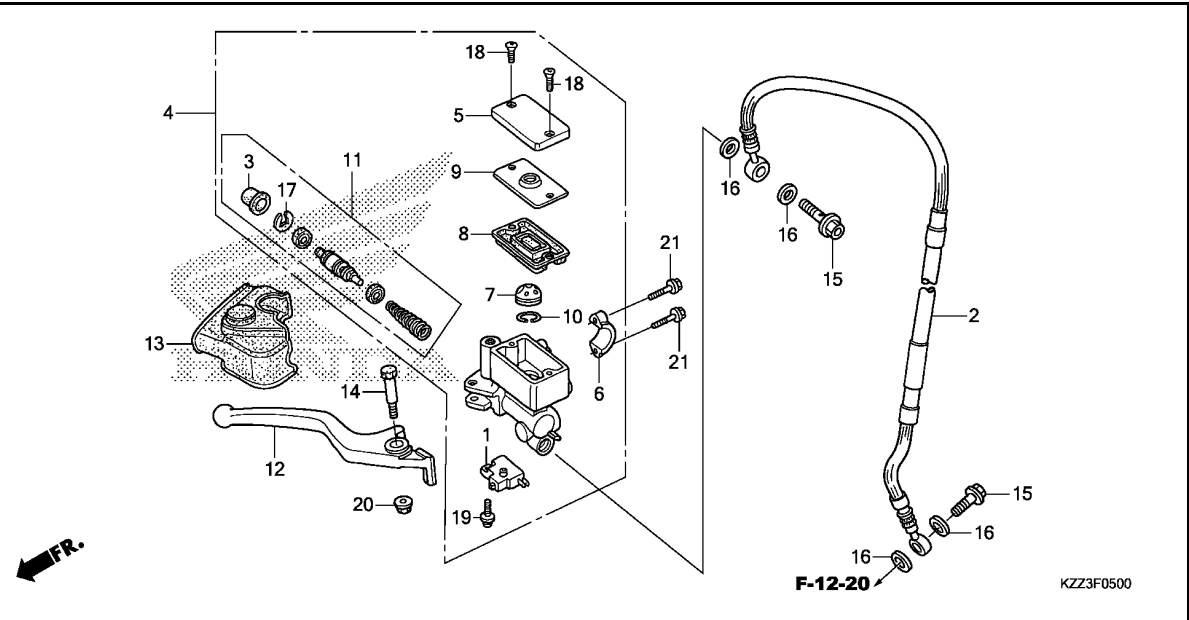
HANDLE LEVER/SWITCH/CABLE/MIRROR



Ref. No.	Part No.	Description	Reqd. QTY		Serial No.	Parts catalogue code
			CRF	250L D		

25	91533-S04-003	CLIP, COUPLER(NATURAL)	1			
26	93500-05022-0G	SCREW, PAN, 5X22	2			
27	93901-32320	SCREW, TAPPING, 3X12	1			
28	94002-08000-0S	NUT, HEX., 8MM	1			
29	94050-06070	NUT, FLANGE, 6MM	1			
30	96001-06020-07	BOLT, FLANGE, 6X20	2			

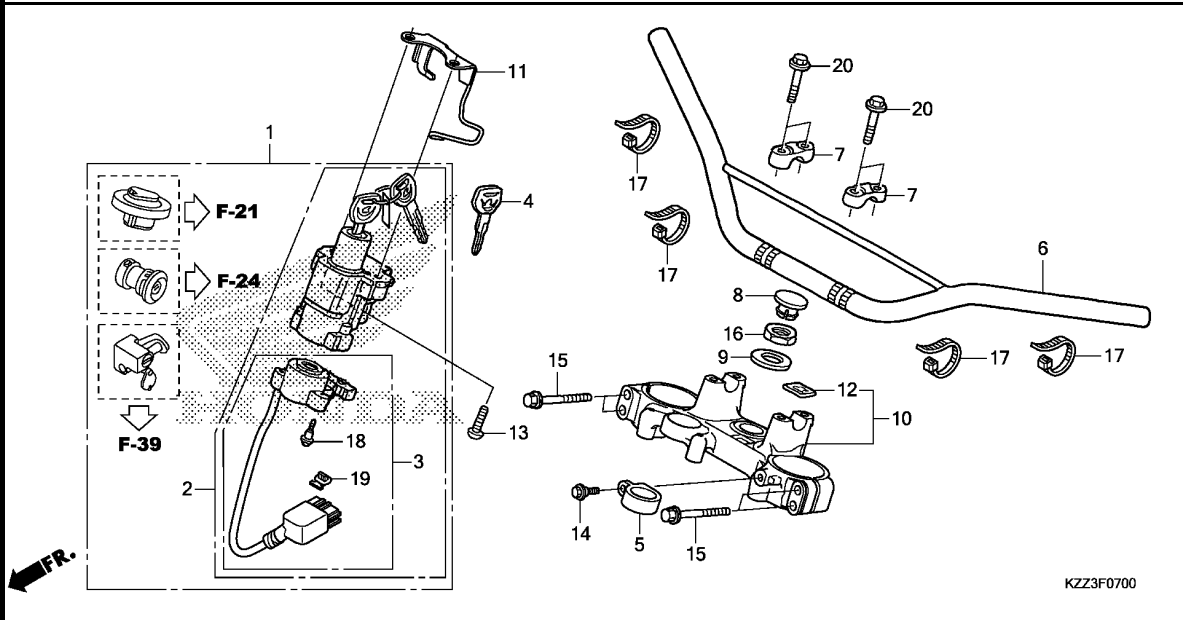




Ref. No.	L.O.N.	(Relative ref. Number) Description	F.R.T.
1	6151B2	SWITCH, FRONT STOP	0.1
2	7121A0	HOSE, FRONT BRAKE	0.4
		.INCLUDES: Bleed brakes	
4	712105	CYLINDER, FRONT BRAKE MASTER	0.4
		.INCLUDES: Bleed brakes	
8	7121G6	DIAPHRAGM, FRONT BRAKE MASTER	0.1
11	7121G9	PISTON SET, FRONT BRAKE MASTER	0.4
		.INCLUDES: Bleed brakes	
12	8101C7	LEVER, HANDLE :RIGHT	0.1
	8101F5	LEVER, HANDLE :BOTH	0.2



Ref. No.	Part No.	Description	Reqd. QTY	Serial No.	Parts catalogue code
			CRF 250L D		
1	35340-MGS-D31	SWITCH ASSY., FR. STOP	1		
2	45125-KZZ-901	HOSE COMP., FR. BRAKE	1		
3	45504-410-003	BOOT COMP.	1		
4	45510-KZZ-901	CYLINDER SUB ASSY., FR. BRAKE MASTER(NISSIN)	1		
5	45513-HA2-006	CAP, MASTER CYLINDER	1		
6	45517-166-006	HOLDER, MASTER CYLINDER	1		
7	45518-MEN-J01	SEPARATOR COMP.	1		
8	45520-MG7-006	DIAPHRAGM	1		
9	45521-HA2-006	PLATE, DIAPHRAGM	1		
10	45523-KA3-731	RING	1		
11	45530-471-831	CYLINDER SET, MASTER	1		
12	53175-KZZ-900	LEVER, R. STEERING HANDLE ...	1		
13	53176-KZZ-901	COVER, R. HANDLE LEVER	1		
14	90114-166-006	BOLT, HANDLE LEVER PIVOT	1		
15	90145-MS9-612	BOLT, OIL, 10X22	2		
16	90545-300-000	WASHER, OIL BOLT	4		
17	90651-MA5-671	CIRCLIP	1		
18	93600-04012-1G	SCREW, FLAT, 4X12	2		
19	93893-04012-17	SCREW-WASHER, 4X12	1		
20	94050-06000	NUT, FLANGE, 6MM	1		
21	96001-06022-07	BOLT, FLANGE, 6X22	2		



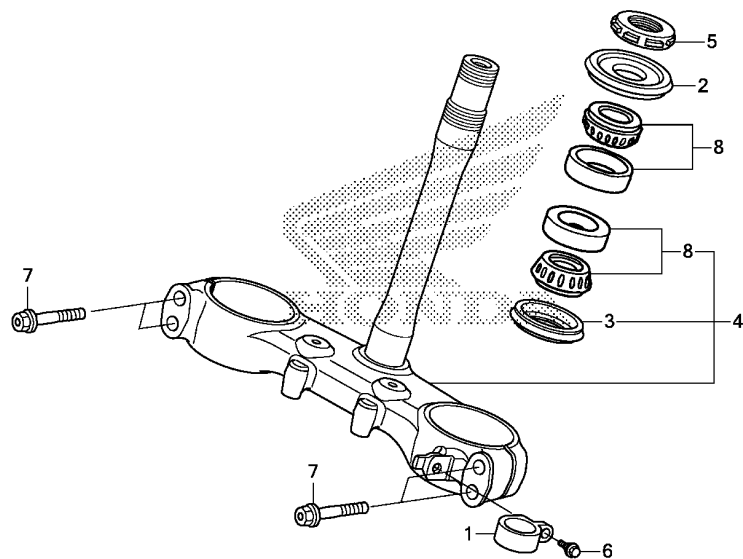
Ref. No.	L.O.N.	(Relative ref. Number) Description	F.R.T.
1	6151A1	KEY SET	1.4
2	615145	SWITCH, COMBINATION & LOCK ...	1.1
3	6151C2	BASE, CONTACT	0.9
6	810100	PIPE, STEERING HANDLE	0.4
10	510110	BRIDGE, FORK TOP	1.0

Ref. No.	Part No.	Description	Reqd. QTY	Serial No.	Parts catalogue code
			CRF 250L D		
1	35010-KZZ-900	KEY SET	1		
2	35100-KZZ-901	SWITCH ASSY., COMBINATION & LOCK	1		
3	35101-KZZ-901	BASE COMP., CONTACT	1		
4	35121-MAS-G01	KEY, BLANK(TYPE 1)	(1)		
5	45468-KZZ-900	GUIDE, FR. BRAKE HOSE	1		
6	53100-KZZ-900	PIPE, STEERING HANDLE	1		
7	53131-KZZ-900	HOLDER, UPPER	2		
8	53208-KCH-900	CAP, STEERING STEM	1		
9	53215-GF8-000	WASHER, DUST SEAL	1		
10	53300-KZZ-900	BRIDGE COMP., FORK TOP	1		
11	61325-KZZ-900	GUIDE, CLUTCH CABLE	1		
12	86150-KPG-901	EMBLEM, PRODUCT(MARUI)	1		
	86150-KPG-902	EMBLEM, PRODUCT(UEHARA)	1		
13	90107-MBG-000	BOLT, ONE-WAY, 8MM	2		
14	90113-KZZ-900	BOLT, FLANGE, 6MM	1		
15	90155-KZZ-900	BOLT, FLANGE, 8X45	4		
16	90304-425-000	NUT, STEERING STEM	1		
17	90650-KW3-000	BAND, WIRE	4		
18	91059-KY2-711	SCREW, TAPPING, 3X16	3		
19	91533-S04-003	CLIP, COUPLER(NATURAL)	1		
20	96300-08035-00	BOLT, FLANGE, 8X35	4		

F-9

STEERING STEM

F 7



Ref. No.	L.O.N.	(Relative ref. Number) Description	F.R.T.
4	510100	STEM OR SHAFT ASSY., STEERING (2)	1.4
5	5101B2	THREAD, STEERING HEAD TOP	1.2
8	5101B6	BEARING, HEAD PIPE :UPPER	1.4
	5101B7	BEARING, HEAD PIPE :LOWER	1.6
	5101C7	BEARING, HEAD PIPE :BOTH	1.6

KZZ3F0900

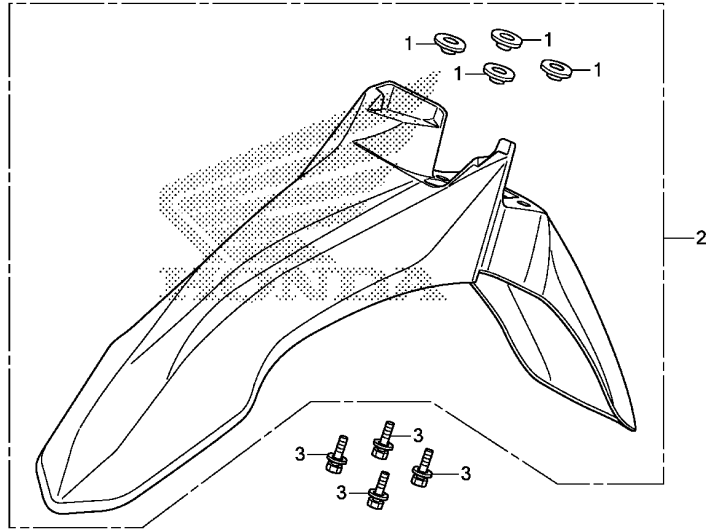
Ref. No.	Part No.	Description	Reqd. QTY	Serial No.	Parts catalogue code
			CRF 250L D		
1	45468-KZZ-900	GUIDE, FR. BRAKE HOSE	1		
2	53214-KZZ-901	DUST SEAL, STEERING UPPER ...	1		
3	53214-MCJ-751	DUST SEAL, STEERING HEAD(ARAI)	1		
4	53219-KZZ-900	STEM SUB ASSY., STEERING	1		
5	53229-MN1-650	THREAD, STEERING HEAD TOP ...	1		
6	90113-KZZ-900	BOLT, FLANGE, 6MM	1		
7	90155-KZZ-900	BOLT, FLANGE, 8X45	4		
8	91015-425-831	BEARING, HEAD PIPE UPPER(NTN)	2		

3

F-10

FRONT FENDER

F 8

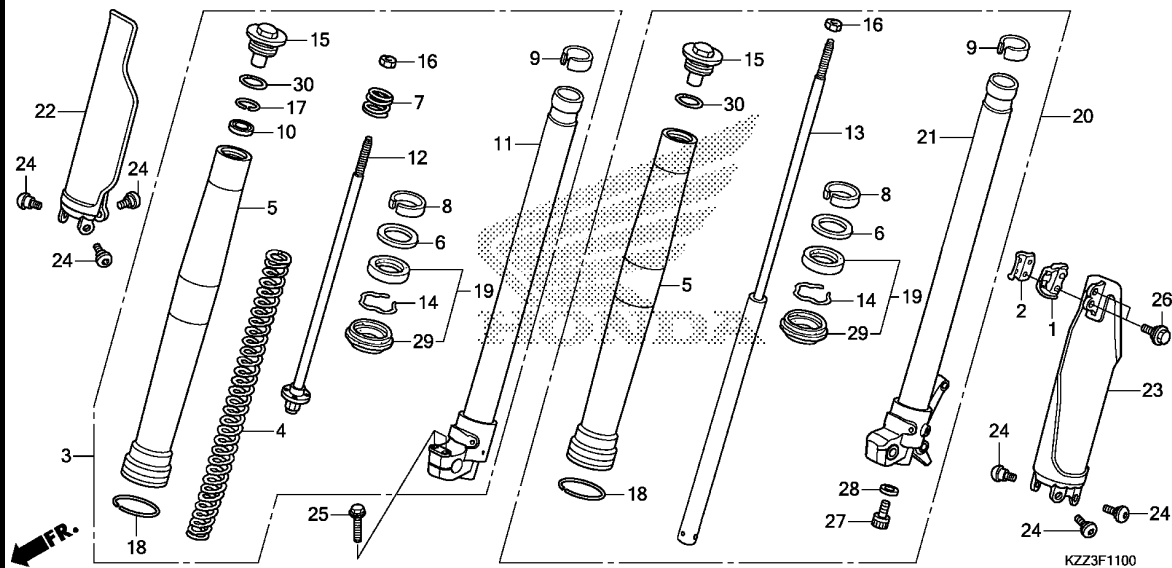


KZZ3F1000

Ref. No.	L.O.N.	(Relative ref. Number) Description	F.R.T.
2	4131B7	FENDER, FRONT	0.1

Ref. No.	Part No.	Description	Reqd. QTY	Serial No.	Parts catalogue code
			CRF 250L D		
1	61101-KZZ-900	COLLAR, FR. FENDER	4		
2	61200-KZZ-900ZB	FENDER SUB ASSY., FR. *R292R*.....EXTREME RED	1		
3	93404-06020-00	BOLT-WASHER, 6X20	4		

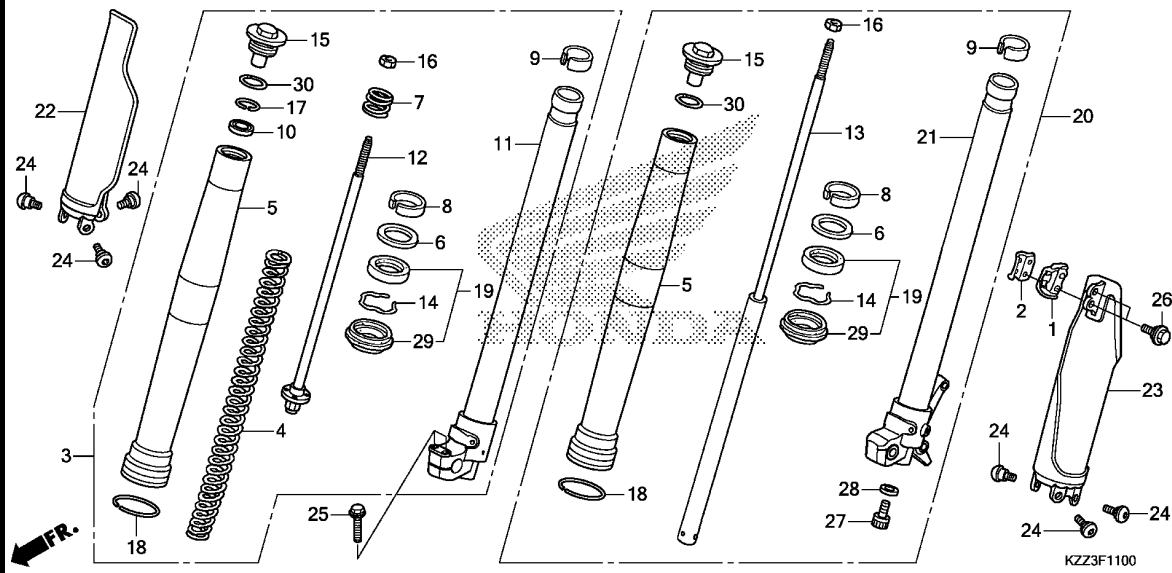
3



Ref. No.	L.O.N.	(Relative ref. Number) Description	F.R.T.
3	5111C3	FORK ASSY., FRONT :RIGHT (12)	0.4
4	5111C6	SPRING, FRONT FORK :RIGHT	0.5
5	5111C8	TUBE, OUTER :LEFT	0.6
	5111C9	TUBE, OUTER :RIGHT	0.6
	5111D0	TUBE, OUTER :BOTH	1.1
11	5111D5	PIPE, SLIDE :RIGHT	0.6
13	5111D8	DAMPER, FRONT FORK :LEFT (8,9)	0.5
19	5111E7	SEAL SET, FRONT FORK :LEFT	0.6
	5111E8	SEAL SET, FRONT FORK :RIGHT	0.6
	5111E9	SEAL SET, FRONT FORK :BOTH	1.1
20	5111C2	FORK ASSY., FRONT :LEFT	0.4
	5111C4	FORK ASSY., FRONT :BOTH	0.5
21	5111D4	PIPE, SLIDE :LEFT	0.6
	5111D6	PIPE, SLIDE :BOTH	1.1
22	5111F5	PROTECTOR, FRONT FORK :RIGHT	0.2
23	5111F4	PROTECTOR, FRONT FORK :LEFT	0.3
	5111H6	PROTECTOR, FRONT FORK :BOTH	0.3

3

Ref. No.	Part No.	Description	Reqd. QTY	Serial No.	Parts catalogue code
			CRF 250L D		
1	45461-KZZ-900	CLAMPER A, BRAKE HOSE	1		
2	45462-KZZ-900	CLAMPER B, BRAKE HOSE	1		
3	51400-KZZ-901	FORK ASSY., R. FR.(SHOWA)	1		
4	51401-KZZ-901	SPRING, FR. FORK	1		
5	51410-KZZ-901	TUBE, OUTER	2		
6	51412-KA4-711	RING, BACK UP	2		
7	51412-KZZ-901	SPRING, REBOUND	1		
8	51414-MFN-D01	BUSH, GUIDE	2		
9	51415-MGP-D01	BUSH, SLIDER	2		
10	51419-KZZ-901	SEAT, STOPPER	1		
11	51425-KZZ-901	PIPE COMP., R. SLIDE	1		
12	51426-KZZ-901	ROD COMP.	1		
13	51430-KZZ-901	DAMPER COMP., FR.	1		
14	51447-KA4-711	RING, OIL SEAL STOPPER(SHOWA)	2		
15	51450-KZZ-901	BOLT COMP., FR. FORK	2		
16	51451-MAJ-G41	NUT, HEX., 10MM	2		
17	51456-KZZ-901	RING, STOPPER	1		
18	51476-KZZ-901	RING, WEAR	2		
19	51490-MFL-003	SEAL SET, FR. FORK	2		
20	51500-KZZ-901	FORK ASSY., L. FR.(SHOWA)	1		
21	51525-KZZ-901	PIPE COMP., L. SLIDE	1		
22	51610-KZZ-900ZC	PROTECTOR, R. FR. FORK			
	TYPE1		1		
23	51620-KZZ-900ZC	PROTECTOR, L. FR. FORK			
	TYPE1		1		

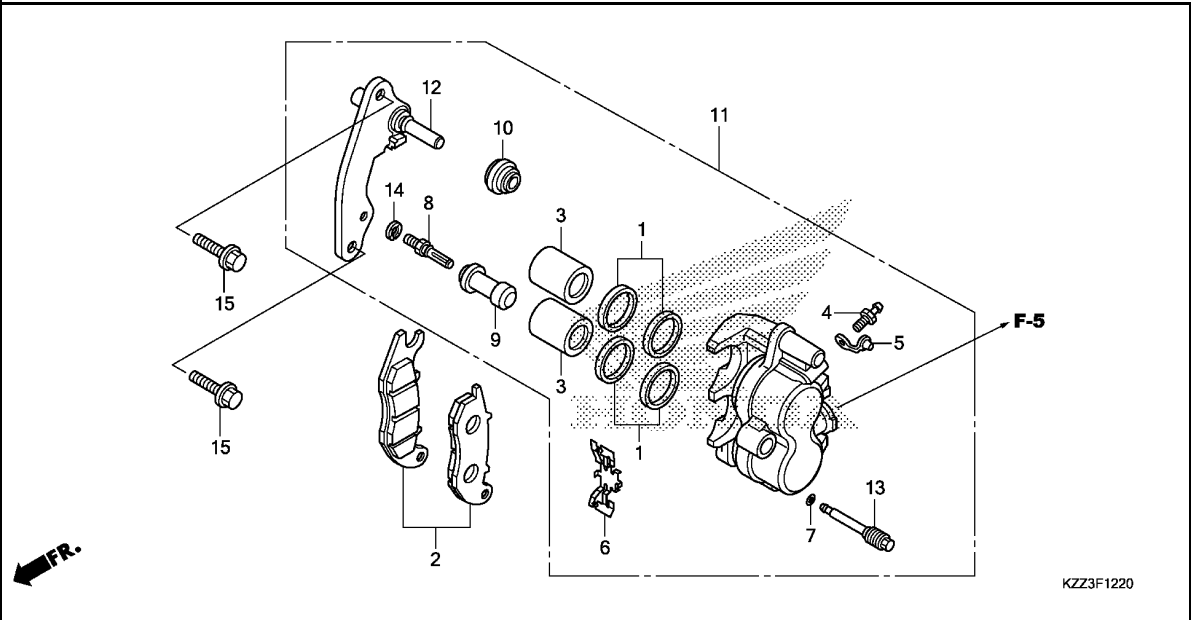


Ref. No.	Part No.	Description	Reqd. QTY		Serial No.	Parts catalogue code
			CRF	250L D		
24	90106-KZZ-900	BOLT, PROTECTOR(6MM)	6			
25	90108-KZZ-900	BOLT, FLANGE, 8X40	2			
26	90113-KZZ-900	BOLT, FLANGE, 6MM	2			
27	90116-KV3-701	BOLT, SOCKET, 8MM(SHOWA)	1			
28	90544-283-000	WASHER, SPECIAL, 8MM(SHOWA)	1			
29	91254-MEJ-003	SEAL, DUST	2			
30	91356-KZ3-003	O-RING, 44.7X2.4	2			

F-12-20

FRONT BRAKE CALIPER

F11



Ref. No.	L.O.N.	(Relative ref. Number) Description	F.R.T.
2	711115	SHOE(PAD) SET, BRAKE :FRONT ..	0.1
3		(1)	
	7111D1	PISTON, FRONT BRAKE CALIPER ..	0.5
		.INCLUDES: Bleed brakes	
		.NOTE: Same time for two units	
11	711130	CALIPER, FRONT BRAKE	0.4
		.INCLUDES: Bleed brakes	
12	7111G0	BRACKET, FRONT CALIPER	0.2

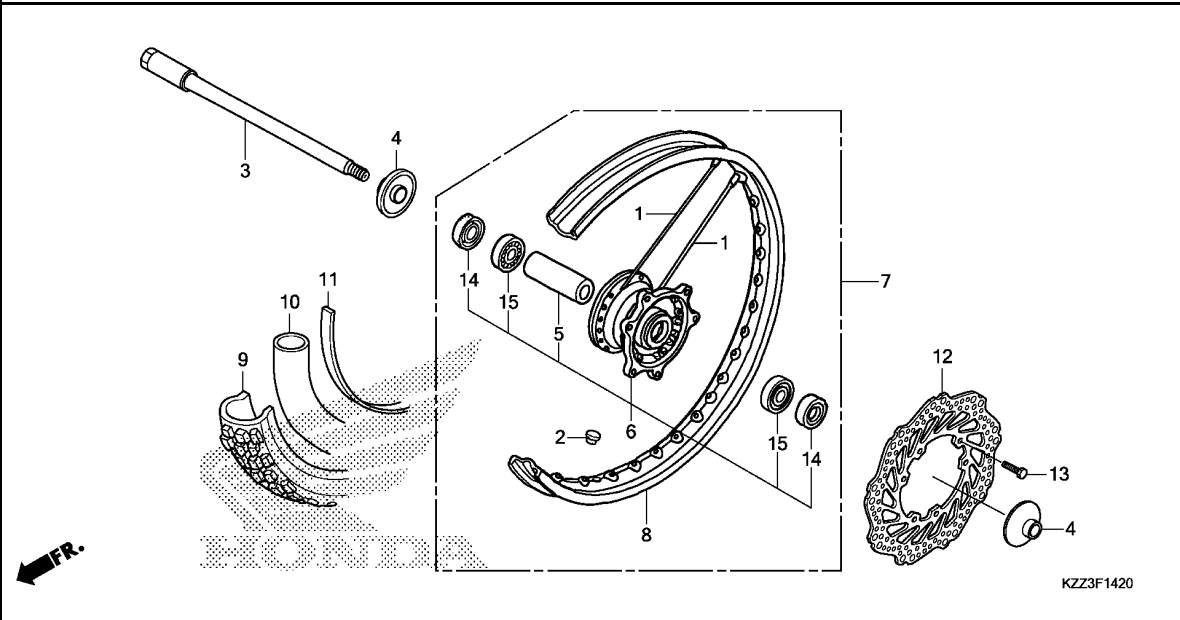
Ref. No.	Part No.	Description	Reqd. QTY	Serial No.	Parts catalogue code
			CRF 250L D		
1	06431-MA3-405	SEAL SET, PISTON	2		
2	06451-KZZ-901	PAD SET, FR.	1		
3	43107-MBG-006	PISTON, 27X27	2		
4	43352-568-003	SCREW, BLEEDER(NISSIN)	1		
5	43353-461-771	CAP, BLEEDER	1		
6	45108-KPH-951	SPRING, PAD	1		
7	45111-MAJ-G41	RING, STOPPER	1		
8	45131-GZO-006	BOLT, PIN	1		
9	45132-166-016	BOOT, PIN BUSH(NISSIN)	1		
10	45133-MA3-006	BOOT B	1		
11	45150-KZZ-901	CALIPER SUB ASSY., L. FR. (NISSIN)	1		
12	45190-KZZ-901	BRACKET SUB ASSY., FR. CALIPER	1		
13	45215-KPH-951	PIN, HANGER	1		
14	45216-166-006	WASHER, WAVE	1		
15	90131-KZZ-900	BOLT, FLANGE, 8X32	2		

3

F-14-20

FRONT WHEEL

F12



Ref. No.	L.O.N.	(Relative ref. Number) Description	F.R.T.
3		(14)	
710151		AXLE, FRONT WHEEL	0.3
6	710103	HUB, FRONT WHEEL	2.4
7	710104	FRONT WHEEL	0.9
8	710109	RIM, WHEEL :FRONT	2.3
9		(11)	
710139		FRONT TIRE(ONE)	0.8
10		(11)	
710140		TUBE, FRONT TIRE(ONE)	0.8
12	711120	DISC, FRONT BRAKE	0.4
15	710115	BEARING, FRONT WHEEL(ONE)	0.5
710115G		.Replace 1 bearing add	0.1

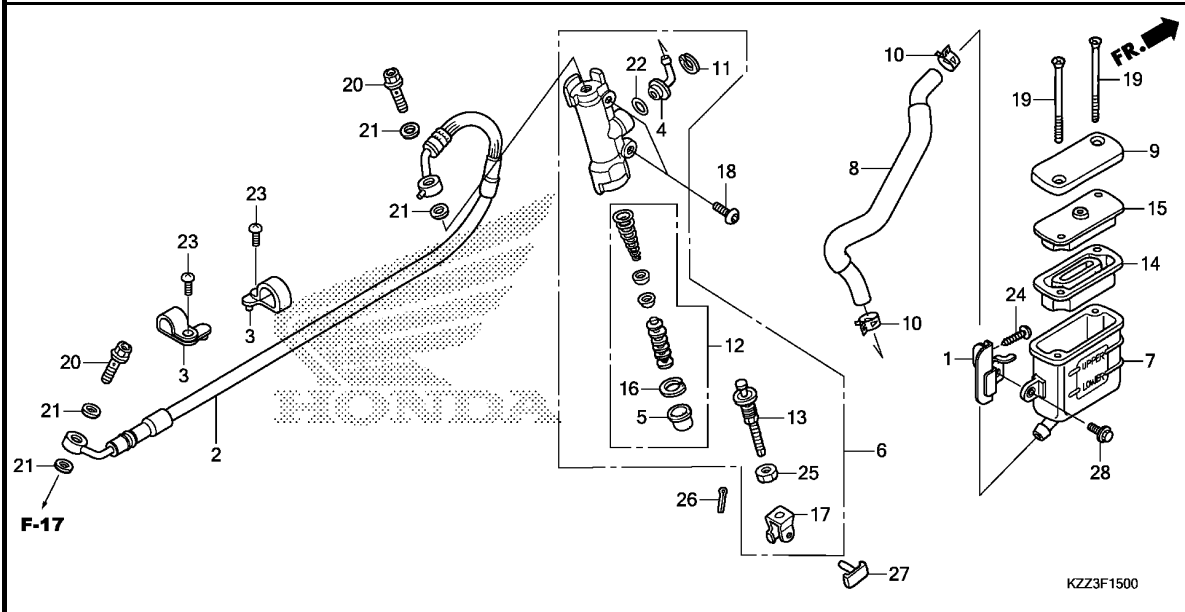
Ref. No.	Part No.	Description	Reqd. QTY		Serial No.	Parts catalogue code
			CRF	250L D		
1	06440-KZZ-900	SPOKE SET, FR.	36			
2	42717-329-000	CAP, RIM HOLE	1			
3	44301-KZZ-900	AXLE, FR. WHEEL	1			
4	44310-KZZ-900	COLLAR COMP., FR. WHEEL SIDE	2			
5	44620-KZZ-900	COLLAR, FR. AXLE DISTANCE ...	1			
6	44635-KZZ-900	HUB SUB ASSY., FR.	1			
7	44650-KZZ-900	WHEEL SUB ASSY., FR.	1			
8	44701-KZZ-901	RIM, FR. WHEEL(21X1.60)	1			
9	44711-KZZ-901	TIRE, FR.(IRC)(3.00-21 51P) -	1			
10	44712-KAE-005	TUBE, TIRE(IRC)(3.00-21)	1			
11	44713-KZZ-901	FLAP, TIRE(IRC)	1			
12	45351-KZZ-901	DISK, FR. BRAKE	1			
13	90105-KZZ-900	BOLT, DISK, 6X17	6			
14	91251-KZZ-901	DUST SEAL,	2			
15	96140-62020-10	BEARING, RADIAL BALL, 6202U -	2			



F-15

REAR BRAKE MASTER CYLINDER

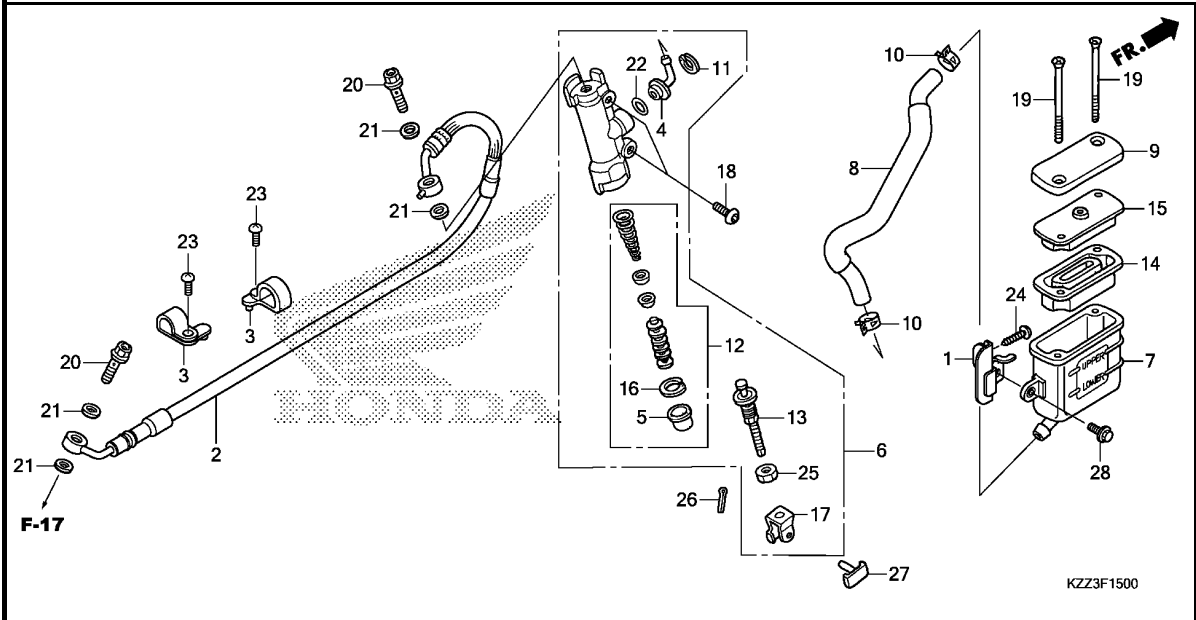
F13



Ref. No.	L.O.N.	(Relative ref. Number) Description	F.R.T.
2	712130	HOSE, REAR BRAKEINCLUDES: Bleed brakes	0.4
6	712125	CYLINDER, REAR BRAKE MASTER .. .INCLUDES: Bleed brakes	0.5
7	7121F6	CUP, REAR MASTER CYLINDER OIL	0.2
8	7121C2	HOSE, REAR MASTER CYLINDER OIL CUP	0.3
12	7121H0	PISTON SET, REAR BRAKE MASTER .INCLUDES: Bleed brakes	0.5
14	7121G7	DIAPHRAGM, REAR BRAKE MASTER CYLINDER	0.1

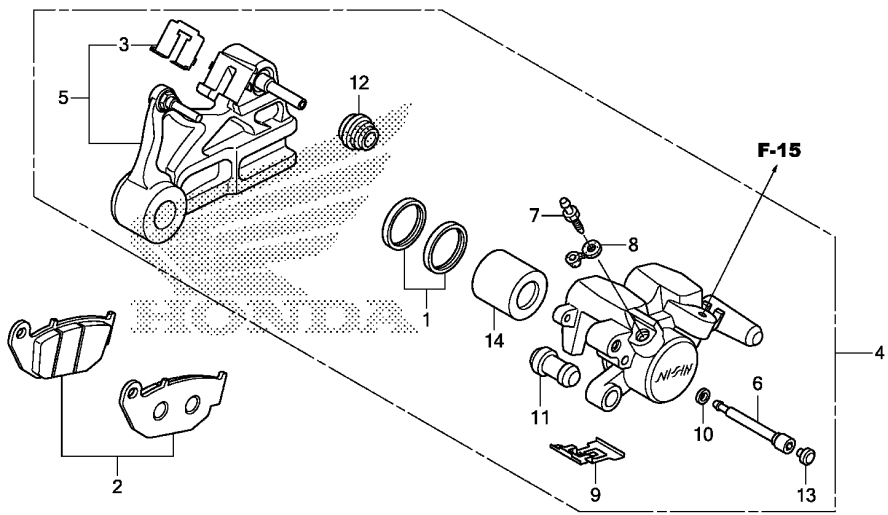
3

Ref. No.	Part No.	Description	Reqd. QTY	Serial No.	Parts catalogue code
			CRF 250L D		
1	17270-KZZ-900	STAY COMP., OIL CUP	1		
2	43310-KZZ-901	HOSE COMP., RR. BRAKE	1		
3	43468-KFB-000	GUIDE, BRAKE HOSE	2		
4	43503-KS6-701	CONNECTOR, MASTER CYLINDER ..	1		
5	43504-MB2-006	BOOT COMP.	1		
6	43510-KZZ-901	CYLINDER SUB ASSY., RR. BRAKE MASTER(NISSIN)	1		
7	43511-KW7-881	CUP COMP., OIL(NISSIN)	1		
8	43512-KZZ-901	HOSE COMP., RR. BRAKE MASTER CYLINDER	1		
9	43513-KTY-C01	CAP, MASTER CYLINDER	1		
10	43514-KS6-701	CLAMP, MASTER CYLINDER OIL HOSE	2		
11	43517-KS6-701	CIRCLIP, RR. MASTER CYLINDER	1		
12	43520-MJ6-315	PISTON SET, MASTER CYLINDER ..	1		
13	43530-KZZ-901	ROD COMP., PUSH	1		
14	45520-GW0-911	DIAPHRAGM	1		
15	45521-GW0-911	PLATE, DIAPHRAGM	1		
16	46182-MEL-D21	CIRCLIP	1		
17	46504-KV6-702	JOINT, BRAKE ROD	1		
18	90106-KGH-600	BOLT, BRAKE DISK, 6X17	2		
19	90140-KZZ-901	SCREW, FLAT, 4X45	2		
20	90145-MS9-612	BOLT, OIL, 10X22	2		
21	90545-300-000	WASHER, OIL BOLT	4		
22	91212-422-006	O-RING, 14.8X2.4	1		



Ref. No.	Part No.	Description	Reqd. QTY		Serial No.	Parts catalogue code
			CRF	250L		

23	93500-05016-0A	SCREW, PAN, 5X16	2			
24	93903-26380	SCREW, TAPPING, 6X20	1			
25	94002-08000-0S	NUT, HEX., 8MM	1			
26	94201-20120	PIN, SPLIT, 2.0X12	1			
27	95015-54000	PIN D, JOINT	1			
28	96300-06014-00	BOLT, FLANGE, 6X14	1			



KZZ3F1700

Ref. No.	L.O.N.	(Relative ref. Number) Description	F.R.T.
2	711140	SHOE(PAD) SET, BRAKE :REAR ...	0.1
4	711155	CALIPER, REAR BRAKEINCLUDES: Bleed brakes	0.5
5	7111C1	BRACKET, REAR CALIPER	0.5
14	7111D5	PISTON, REAR BRAKE CALIPERINCLUDES: Bleed brakes	0.6

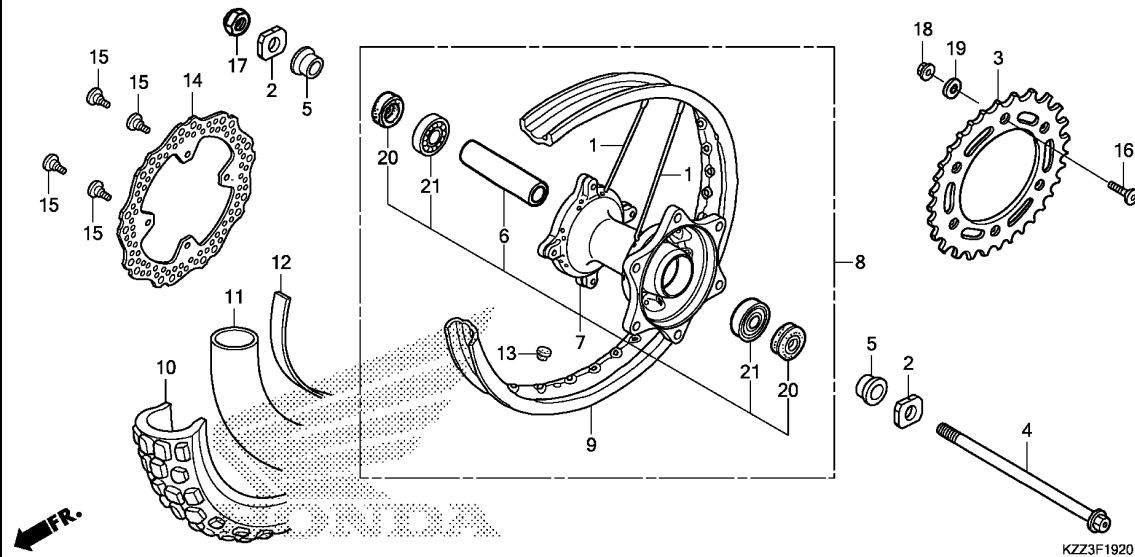
3

Ref. No.	Part No.	Description	Reqd. QTY	Serial No.	Parts catalogue code
			CRF 250L D		
1	06431-MA3-405	SEAL SET, PISTON	1		
2	06435-KZZ-901	PAD SET, RR.	1		
3	43112-KZZ-901	RETAINER	1		
4	43150-KZZ-901	CALIPER SUB ASSY., RR.(NISSIN)	1		
5	43190-KZZ-901	BRACKET SUB ASSY., RR.	1		
6	43215-KGH-901	PIN, HANGER	1		
7	43352-568-003	SCREW, BLEEDER(NISSIN)	1		
8	43353-461-771	CAP, BLEEDER	1		
9	45108-ML7-922	SPRING, PAD(NISSIN)	1		
10	45111-MAJ-G41	RING, STOPPER	1		
11	45132-166-016	BOOT, PIN BUSH(NISSIN)	1		
12	45133-MA3-006	BOOT B	1		
13	45203-MCC-006	PLUG, PIN	1		
14	45218-MAJ-G41	PISTON B, 27X35	1		

F-19-20

REAR WHEEL

F16



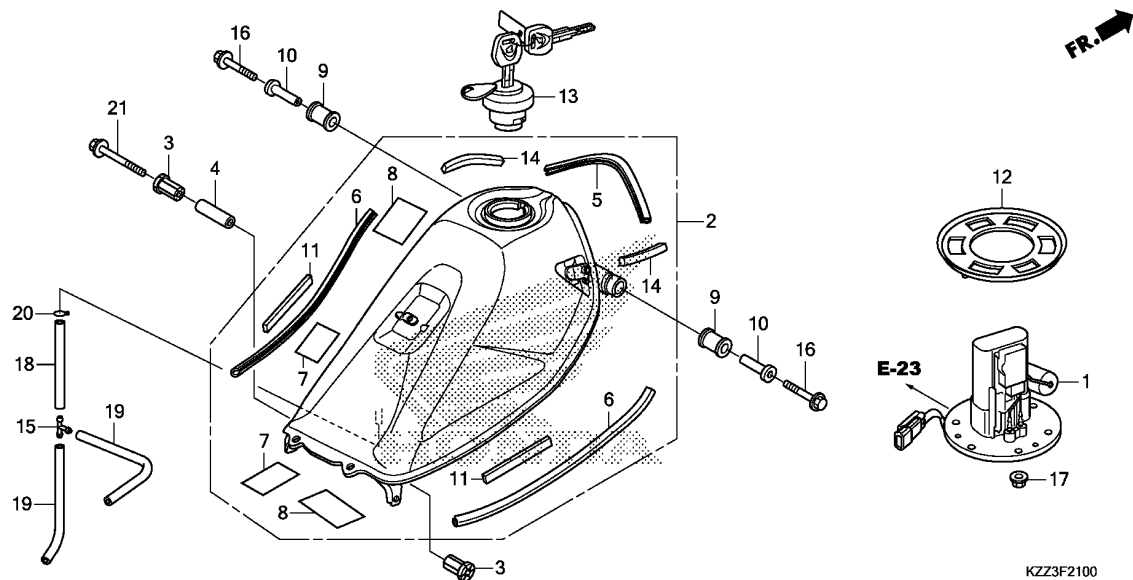
Ref. No.	L.O.N.	(Relative ref. Number) Description	F.R.T.
3	7101A0	SPROCKET, FINAL DRIVEN	0.4
4		(20)	
	710160	AXLE, REAR WHEEL	0.3
7	710121	HUB, REAR WHEEL	2.5
8	710118	REAR WHEEL	1.0
9	710127	RIM, WHEEL :REAR	2.4
10		(12)	
	710142	REAR TIRE(ONE)	0.9
11		(12)	
	7101A7	TUBE, REAR TIRE(ONE)	0.9
14	711145	DISC, REAR BRAKE	0.4
21	710133	BEARING, REAR WHEEL(ONE)	0.5
	710133G	.Replac 1 bearing add	0.1

Ref. No.	Part No.	Description	Reqd. QTY	Serial No.	Parts catalogue code
			CRF 250L D		
1	06420-KZZ-900	SPOKE SET, RR.	32		
2	40544-KZZ-900	ADJUSTER, CHAIN	2		
3	41201-KCV-680	SPROCKET, FINAL DRIVEN(40T)	1		
4	42301-KZZ-900	AXLE, RR. WHEEL	1		
5	42312-KZZ-900	COLLAR, RR. WHEEL	2		
6	42620-KZZ-900	COLLAR, RR. AXLE DISTANCE	1		
7	42635-KZZ-900	HUB SUB ASSY., RR.	1		
8	42650-KZZ-900	WHEEL SUB ASSY., RR.	1		
9	42701-KZZ-901	RIM, RR. WHEEL(18X2.15)	1		
10	42711-KZZ-901	TIRE, RR.(IRC) (120/80-18 M/C 62P)	1		
11	42712-KT1-671	TUBE, TIRE(IRC)(120/80-18)	1		
12	42713-KZZ-901	FLAP, TIRE(IRC)	1		
13	42717-329-000	CAP, RIM HOLE	1		
14	43351-KZZ-901	DISK, RR. BRAKE	1		
15	90105-KSP-930	BOLT, DISK, 8X22	4		
16	90125-KZZ-900	BOLT, SPROCKET FIXING, 10X31	6		
17	90306-KCJ-951	NUT, U, 16MM	1		
18	90306-KZZ-901	NUT, U, 10MM	6		
19	90438-463-000	WASHER, SPECIAL, 11X21X2.3	6		
20	91253-033-003	OIL SEAL, 25X47X6.5	2		
21	96140-63030-10	BEARING, RADIAL BALL, 6303U	2		

F-21

FUEL TANK

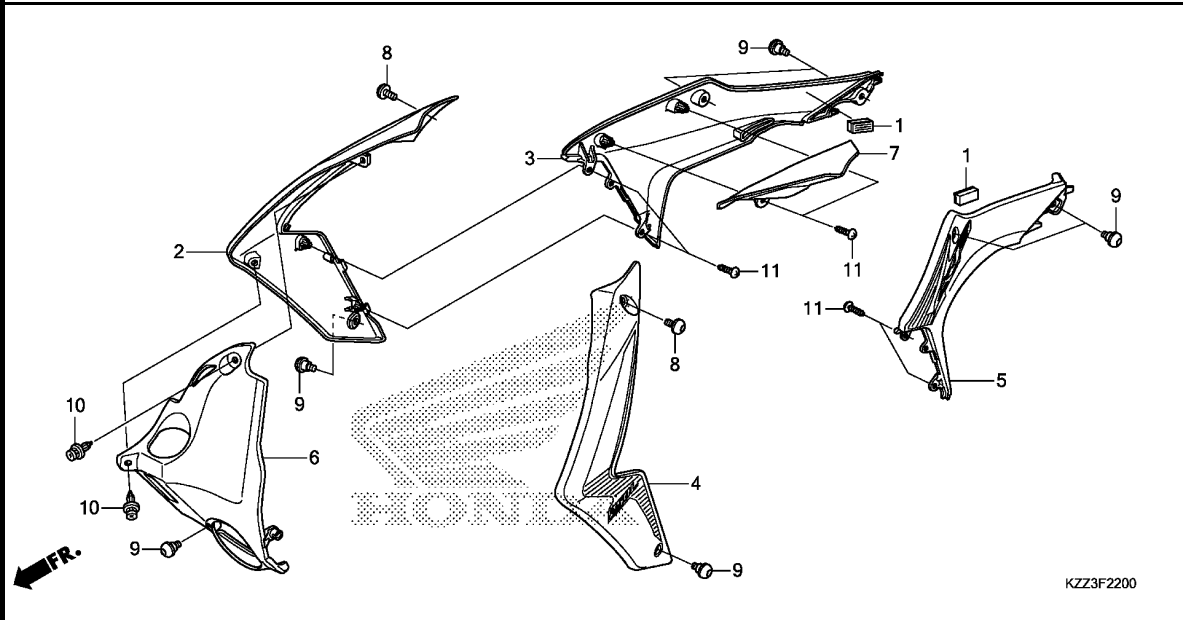
G 1



Ref. No.	L.O.N.	(Relative ref. Number) Description	F.R.T.
1		(12)	
310120		PUMP ASSY., FUEL	0.6
2	310100	TANK, FUEL	0.4

KZZ3F2100

Ref. No.	Part No.	Description	Reqd. QTY	Serial No.	Parts catalogue code
			CRF 250L D		
1	16700-KZZ-901	PUMP ASSY., FUEL	1		
2	17500-KZZ-900ZB	TANK ASSY., FUEL *NH105*...MAT BLACK (#15-#20)	1		
3	17506-KZZ-900	CUSHION, FUEL TANK PIVOT	2		
4	17507-KZZ-900	COLLAR, TANK SET	1		
5	17516-KZZ-900	TRIM A, FUEL TANK	1		
6	17517-KZZ-900	TRIM B, FUEL TANK	2		
7	17521-KY1-300	SEAL, TANK	2		
8	17528-KCZ-930	TAPE B, TANK GUARD	2		
9	17534-MFJ-D00	RUBBER, RR. TANK MOUNTING ... (FRONT SIDE)	2		
10	17538-KZZ-900	COLLAR	2		
11	17544-KZZ-900	RUBBER, TANK GUARD	2		
12	17574-MGS-D30	PACKING, BASE	1		
13	17620-MEG-003	CAP COMP., FUEL FILLER (HONDA LOCK)	1		
14	17850-KZZ-900	CUSHION, SHROUD	2		
15	38581-671-003	JOINT, TUBE	1		
16	90004-GHB-710	BOLT, FLANGE, 6X40(NSHF)	2		
17	94050-06080	NUT, FLANGE, 6MM	6		
18	95001-45300-40	TUBE, FUEL, 4.5X300 (95001-45001-60M)	1		
19	95001-45380-40	TUBE, FUEL, 4.5X380 (95001-45001-60M)	2		
20	95002-02080	CLIP, TUBE(B8)	1		
21	96001-06065-00	BOLT, FLANGE, 6X65	1		



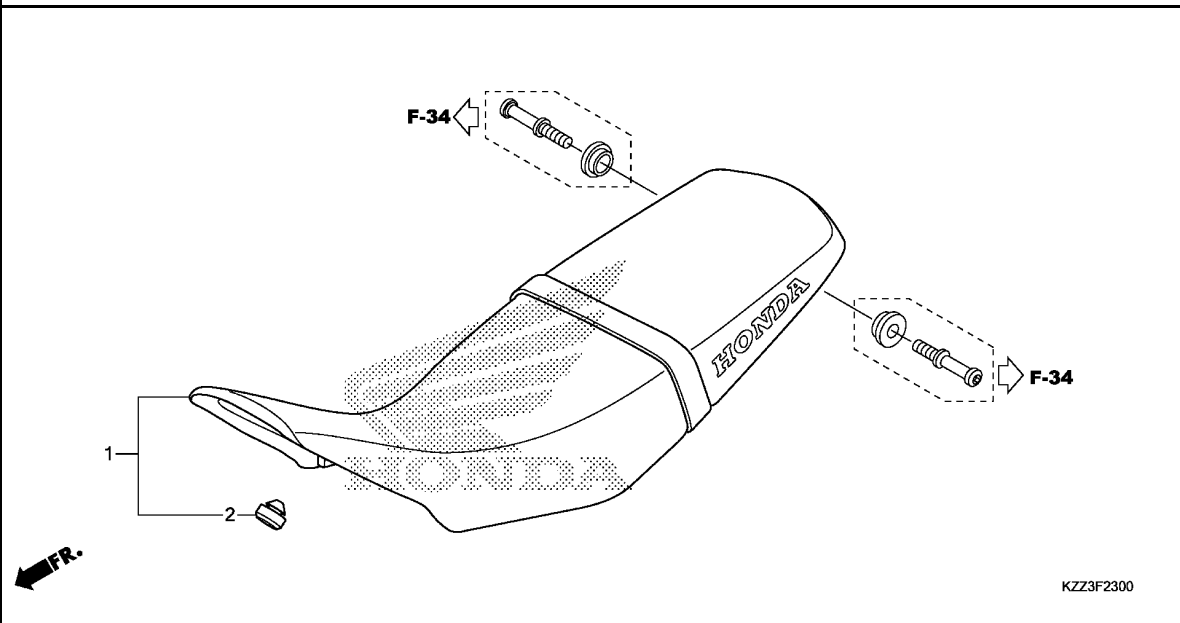
Ref. No.	L.O.N.	(Relative ref. Number) Description	F.R.T.
2		(3,7)	
	1151A0	SHROUD, RADIATOR :RIGHT	0.2
4		(5)	
	115126	SHROUD, RADIATOR :LEFT	0.1
	1151A5	SHROUD, RADIATOR :BOTH	0.3
6	1151H8	COVER, RADIATOR RESERVE TANK	0.1

Ref. No.	Part No.	Description	Reqd. QTY	Serial No.	Parts catalogue code
			CRF 250L D		
1	19050-KZZ-900	FASTENER, DUAL LOCK(11X28) ..	2		
2	19070-KZZ-900ZD	SHROUD SET, R. FR.(WL) *TYPE1*	1		
3	19075-KZZ-900ZD	SHROUD SET, R. RR.(WL) *TYPE1*	1		
4	19090-KZZ-900ZD	SHROUD SET, L. FR.(WL) *TYPE1*	1		
5	19095-KZZ-900ZD	SHROUD SET, L. RR.(WL) *TYPE1*	1		
6	19160-KZZ-900	COVER, FR. RESERVE TANK	1		
7	19170-KZZ-900	COVER, RR. RESERVE TANK	1		
8	90132-KPP-T00	SCREW, PAN, 6X10	2		
9	90133-KPP-T00	SCREW, PAN, 6X14	7		
10	90683-MBW-003	CLIP, BODY	2		
11	93903-24320	SCREW, TAPPING, 4X12	6		

F-23

SEAT

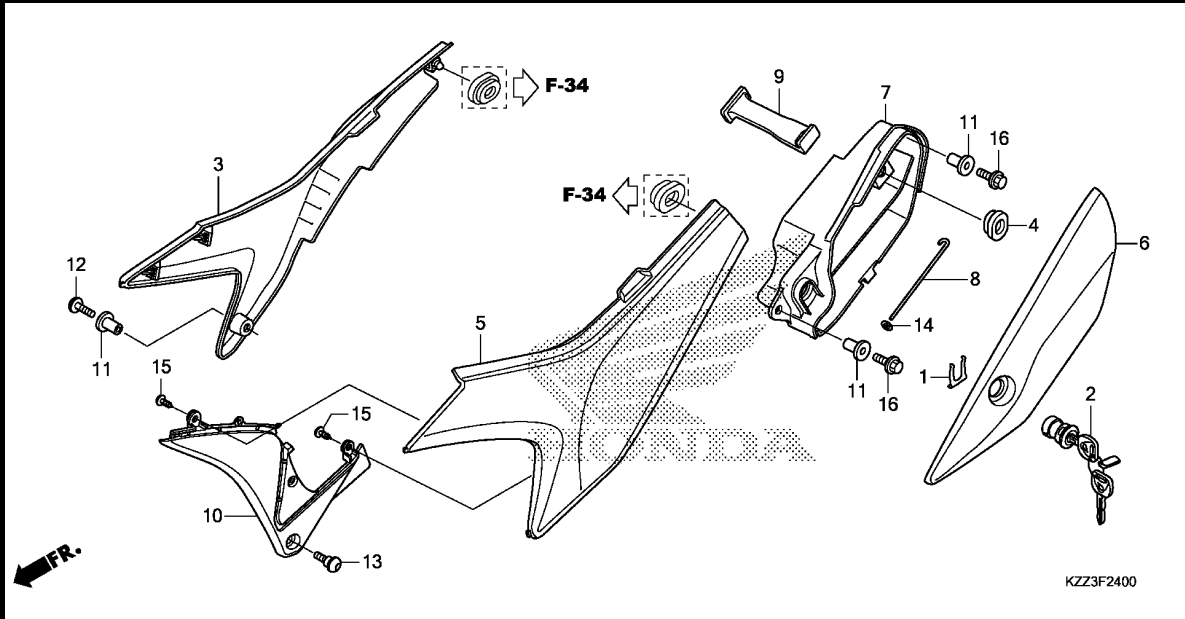
G 3



Ref. No.	L.O.N.	(Relative ref. Number) Description	F.R.T.
1	4131E4	SEAT :DOUBLE	0.1

3

Ref. No.	Part No.	Description	Reqd. QTY CRF 250L D	Serial No.	Parts catalogue code
1	77200-KZZ-900ZD	SEAT ASSY., DOUBLE *TYPE1*	1		
2	77215-GC2-000	RUBBER B, SEAT STOPPER	1		



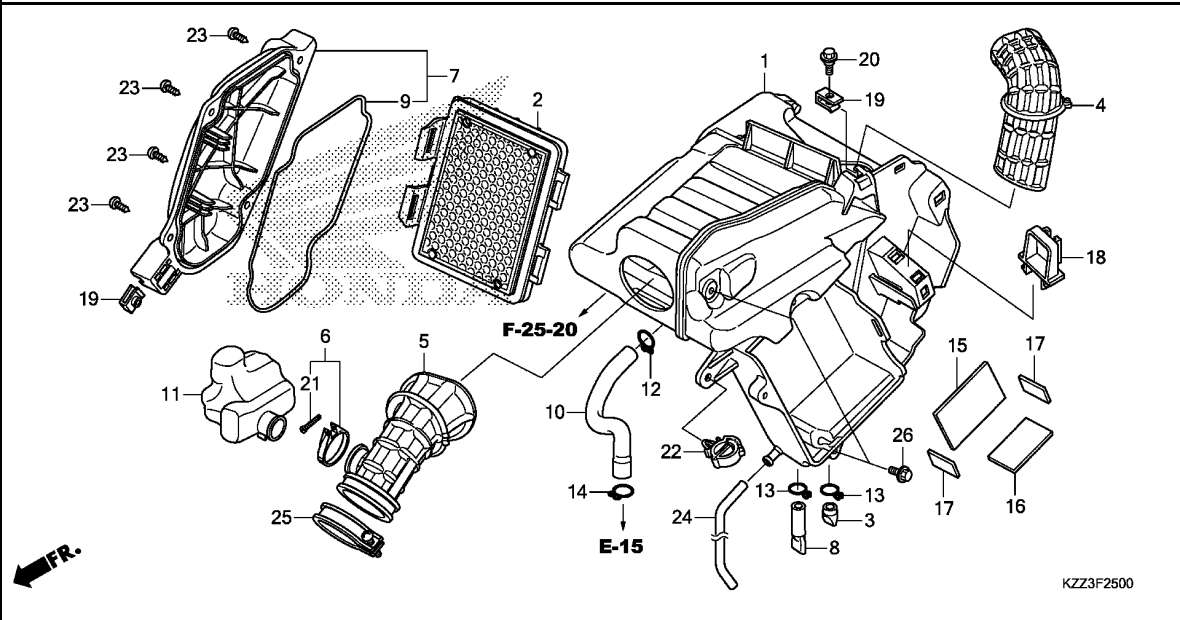
Ref. No.	L.O.N.	(Relative ref. Number) Description	F.R.T.
2	4101N3	KEY, TOOL BOX OR BAG	0.1
3	4111H9	COVER, SIDE :RIGHT	0.1
5		(10)	
	4111H8	COVER, SIDE :LEFT	0.1
	4111J0	COVER, SIDE :BOTH	0.1
6	4101B1	COVER, TOOL BOX	0.1
7	410190	BOX OR BAG, TOOL	0.1

Ref. No.	Part No.	Description	Reqd. QTY	Serial No.	Parts catalogue code
			CRF 250L D		
1	37222-MCS-600	SPRING, LOCK KEY SETTING	1		
2	77233-MBL-611	LOCK ASSY., POCKET LID	1		
3	83501-KZZ-900ZC	COVER, R. SIDE *NH196*.....ROSS WHITE	1		
4	83551-GE2-000	GROMMET, AIR CLEANER CASE ...	1		
5	83601-KZZ-900ZC	COVER, L. SIDE *NH196*.....ROSS WHITE	1		
6	83602-KZZ-900ZB	COVER, TOOL BOX *NH196*.....ROSS WHITE	1		
7	83603-KZZ-900	BOX, TOOL	1		
8	83604-KZZ-900	HINGE, TOOL BOX	1		
9	83607-KZZ-900	BAND, TOOL	1		
10	83701-KZZ-900	COVER, L. SIDE LOWER	1		
11	83905-KZZ-900	COLLAR, SIDE COVER	3		
12	90132-KZZ-900	SCREW, PAN, 6X18	1		
13	90133-KPP-T00	SCREW, PAN, 6X14	1		
14	90310-ZB7-701	NUT, PUSH, 2.6	1		
15	93903-24280	SCREW, TAPPING, 4X10	2		
16	96001-06018-00	BOLT, FLANGE, 6X18	2		

F-25

AIR CLEANER

G 5



Ref. No.	L.O.N.	(Relative ref. Number) Description	F.R.T.
1	3121A5	CASE, AIR CLEANER	1.2
2	312105	ELEMENT, AIR CLEANER	0.1
4	3121D3	DUCT, AIR INTAKE	1.1
5	3121B6	TUBE, AIR CLEANER CONNECTING (9)	1.1
7	312102	COVER, AIR CLEANER CASE	0.1
11	3121C1	RESONATOR	0.5

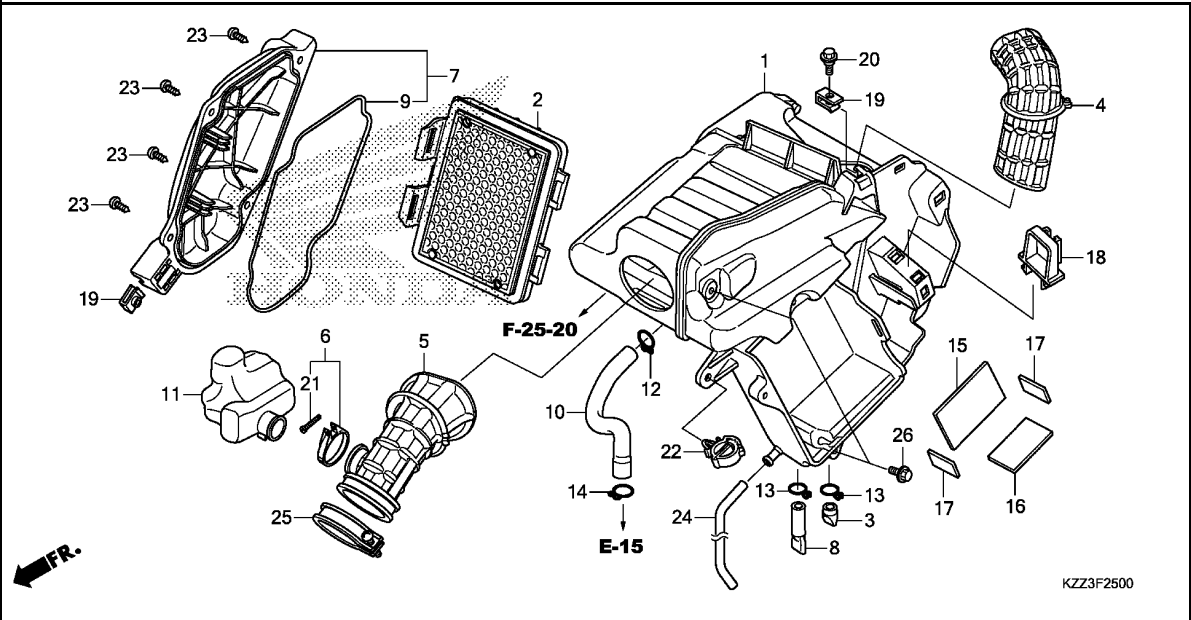
Ref. No.	Part No.	Description	Reqd. QTY	Serial No.	Parts catalogue code
			CRF 250L D		
1	17210-KZZ-900	CASE COMP., AIR CLEANER	1		
2	17220-KZZ-900	ELEMENT COMP., AIR CLEANER ..	1		
3	17234-KCW-871	TUBE, AIR CLEANER DRAIN	1		
4	17241-KZZ-900	DUCT, AIR CLEANER	1		
5	17251-KZZ-900	TUBE, AIR CLEANER CONNECTING	1		
6	17255-MCG-000	BAND, RESONATOR(28)	1		
7	17260-KZZ-900	LID COMP., AIR CLEANER	1		
8	17261-KVB-T00	TUBE, DRAIN	1		
9	17262-KZZ-900	SEAL, AIR CLEANER	1		
10	17265-KZZ-900	TUBE, BREATHER	1		
11	17311-KZZ-900	RESONATOR	1		
12	17316-611-000	CLIP, BREATHER TUBE	1		
13	17371-174-670	CLIP, BREATHER TUBE	2		
14	17724-102-700	CLIP, SUB TANK HOSE	1		
15	31511-KCZ-J60	RUBBER, BATTERY CUSHION	1		
16	31511-KE2-850	RUBBER, BATTERY CUSHION	1		
17	31511-KZZ-900	RUBBER, BATTERY CUSHION	2		
18	80105-KZZ-900	STAY, FUSE BOX	1		
19	84601-HC4-000	NUT, FENDER SETTING(6MM)	2		
20	90109-KZZ-900	BOLT, FLANGE, 6MM	1		
21	90227-GHR-E00	SCREW, PAN, 5X25	1		
22	90652-KZZ-901	CLIP	1		
23	93903-25480	SCREW, TAPPING, 5X20	4		
24	95003-19042-10	TUBE, VINYL, 7X11X420	1		

3

F-25

AIR CLEANER

G 6



Ref. No.	Part No.	Description	Reqd. QTY		Serial No.	Parts catalogue code
			CRF	250L D		

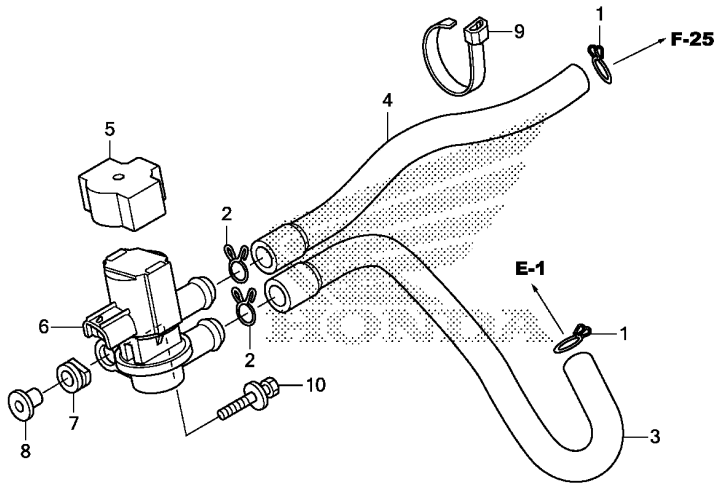
25	95018-56250	BAND, AIR CLEANER CONNECTING TUBE (56)		1		
26	95701-06012-08	BOLT, FLANGE, 6X12		2		

3

F-25-20

AIR INJECTION SOLENOID VALVE

G 7



FR.

KZZ3F2520

Ref. No.	L.O.N.	(Relative ref. Number) Description	F.R.T.
6	314130	VALVE, SECONDARY AIR CONTROL	0.3

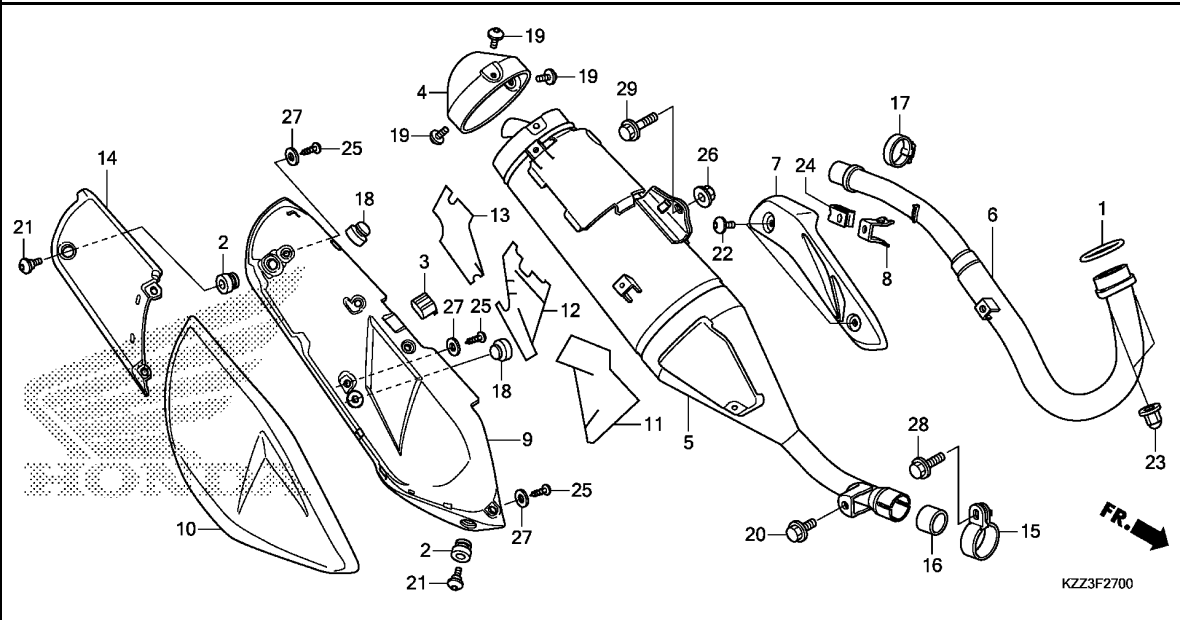
3

Ref. No.	Part No.	Description	Reqd. QTY	Serial No.	Parts catalogue code
			CRF 250L D		
1	17316-611-000	CLIP, BREATHER TUBE	2		
2	17724-102-700	CLIP, SUB TANK HOSE	2		
3	18651-KZZ-900	TUBE, AIR INJECTION(AISV-ENG)	1		
4	18653-KZZ-900	TUBE(AISV-AIR CLEANER)	1		
5	35451-KVZ-630	CAP, AIR INJECTION SOLENOID VALVE	1		
6	36450-KVZ-631	VALVE ASSY., AIR INJECTION SOLENOID	1		
7	43516-MR5-000	RUBBER, MOUNTING	1		
8	77302-473-000	COLLAR, PILLION SEAT	1		
9	90650-KW3-000	BAND, WIRE	1		
10	93404-06028-00	BOLT-WASHER, 6X28	1		

F-27

EXHAUST MUFFLER

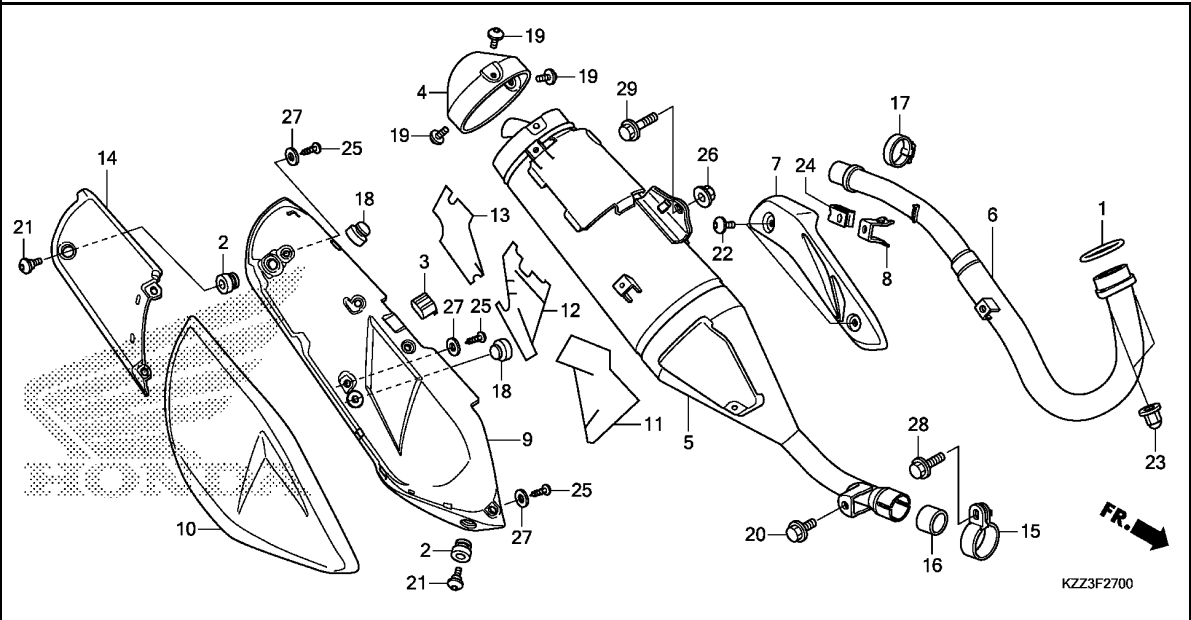
G 8



Ref. No.	L.O.N.	(Relative ref. Number) Description	F.R.T.
1	3131B4	GASKET, EXHAUST PIPE	0.2
4	3131F2	CAP, MUFFLER END	0.1
5	313120	MUFFLER	0.2
6	313110	PIPE, EXHAUST	0.3
7	3131A6	PROTECTOR, EXHAUST PIPE	0.1
9	313121	PROTECTOR, MUFFLER	0.3
10	3131B3	COVER, MUFFLER :FRONT	0.3
14	3131D3	COVER, MUFFLER :REAR	0.3
	3131K5	COVER, MUFFLER :BOTH	0.3
16	3131C4	GASKET, MUFFLER	0.2

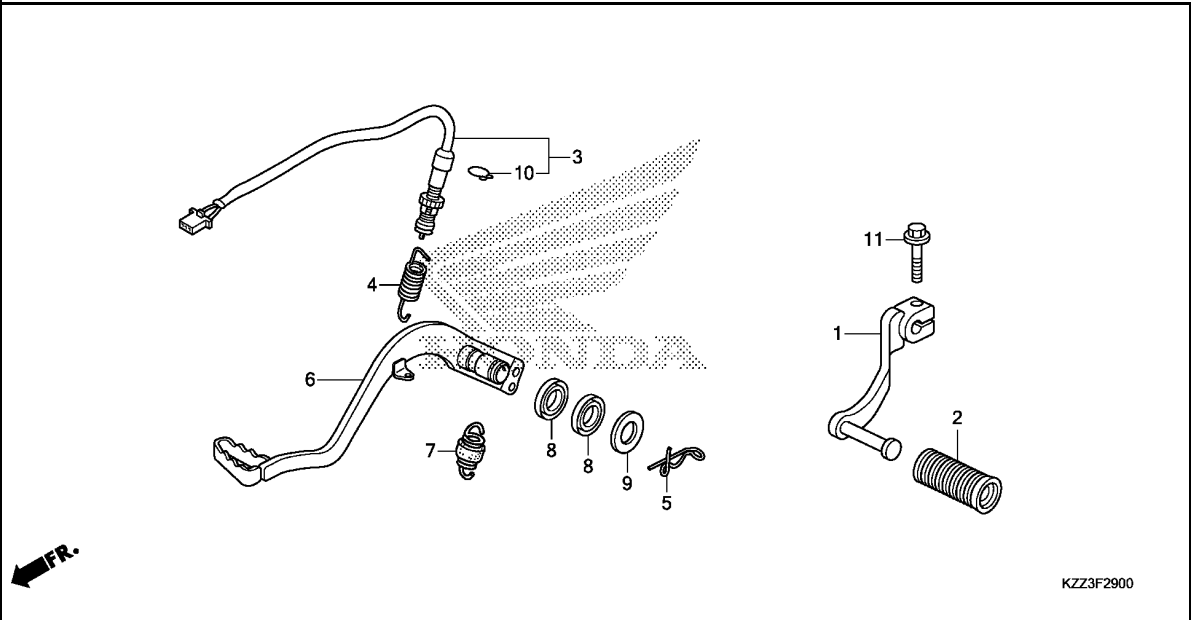
Ref. No.	Part No.	Description	Reqd. QTY	Serial No.	Parts catalogue code
			CRF 250L D		
1	18291-MEB-670	GASKET, EX. PIPE	1		
2	18293-KZZ-900	RUBBER, PROTECTOR PACKING ...	2		
3	18293-MNO-000	RUBBER, PROTECTOR	1		
4	18306-KZZ-900	CAP, TAIL	1		
5	18310-KZZ-900	MUFFLER COMP.	1		
6	18320-KZZ-900	PIPE COMP., EX.	1		
7	18325-KZZ-900	PROTECTOR, EX. PIPE	1		
8	18327-KZZ-900	STAY, EX. PIPE PROTECTOR ...	1		
9	18355-KZZ-900	PROTECTOR, MUFFLER	1		
10	18360-KZZ-900ZB	COVER, FR. MUFFLER *NH196*.....ROSS WHITE	1		
11	18361-KZZ-900	GUARD, HEAT(A)	1		
12	18362-KZZ-900	GUARD, HEAT(B)	1		
13	18363-KZZ-900	GUARD, HEAT(C)	1		
14	18365-KZZ-900	COVER, RR. MUFFLER	1		
15	18373-KZZ-900	BAND, R. EX. PIPE	1		
16	18391-KZZ-901	PACKING, MUFFLER	1		
17	19517-ML7-691	CLAMP, HOSE, 22-29MM	1		
18	83512-KZZ-900	RUBBER, MUFFLER PROTECTOR ...	2		
19	90114-KZZ-900	SCREW, SPECIAL, 5X10	3		
20	90118-KZZ-900	BOLT, FLANGE, 8X16	1		
21	90160-KZZ-900	BOLT, MUFFLER PROTECTOR(5MM)	2		
22	90170-KZZ-900	SCREW, PAN, 6X10	2		
23	90304-KPH-700	NUT, HEX. CAP, 8MM	2		
24	90344-964-003	NUT, CLIP, 6MM	1		

3



3

Ref. No.	Part No.	Description	Reqd. QTY		Serial No.	Parts catalogue code
			CRF	250L D		
25	93913-142J0	SCREW, TAPPING, 4X12	5			
26	94050-08000	NUT, FLANGE, 8MM	1			
27	94103-04000	WASHER, PLAIN, 4MM	5			
28	95701-08035-02	BOLT, FLANGE, 8X35	1			
29	96300-08040-00	BOLT, FLANGE, 8X40	1			

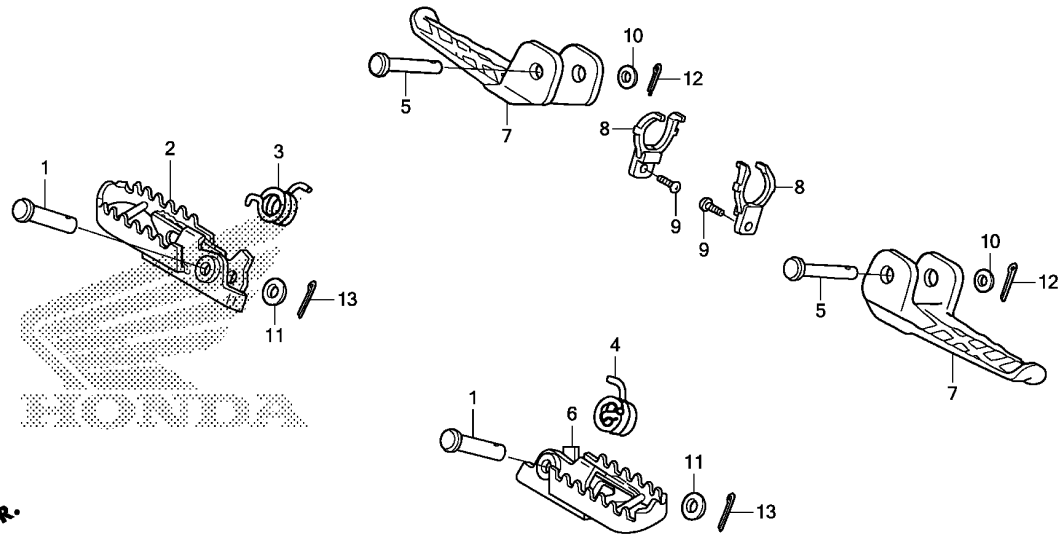


Ref. No.	L.O.N.	(Relative ref. Number) Description	F.R.T.
1	4101A1	PEDAL, GEAR CHANGE	0.1
3	6151B5	SWITCH, REAR STOP :PEDAL SIDE	0.3
6	810160	PEDAL, REAR BRAKE	0.1

←FR.

KZZ3F2900

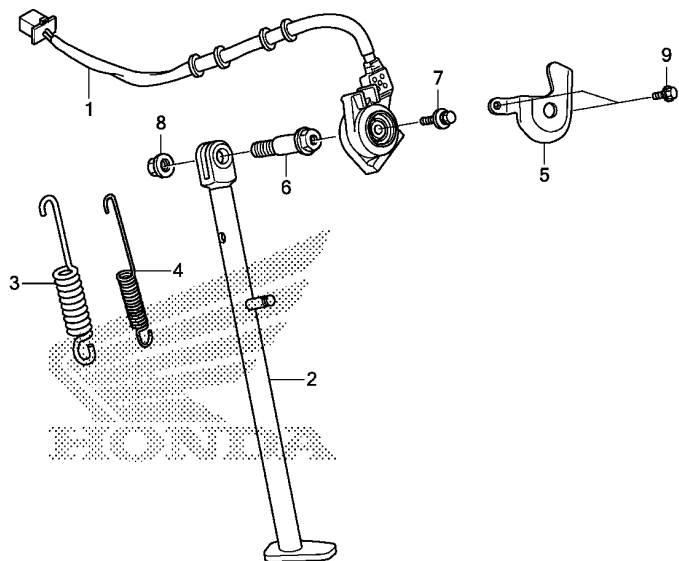
Ref. No.	Part No.	Description	Reqd. QTY	Serial No.	Parts catalogue code
			CRF 250L D		
1	24710-KZZ-900	PEDAL COMP., CHANGE	1		
2	24781-KR3-770	RUBBER, GEAR CHANGE PEDAL ...	1		
3	35350-KZZ-901	SWITCH ASSY., RR. STOP	1		
4	35357-KZZ-900	SPRING, STOP SWITCH	1		
5	43950-KZZ-900	PIN, SNAP	1		
6	46500-KZZ-900	PEDAL COMP., RR. BRAKE	1		
7	46511-KZ4-J00	SPRING ASSY., RR. BRAKE RETURN	1		
8	46525-KK0-003	DUST SEAL, 17X20X2.5	2		
9	90439-463-000	WASHER, PLAIN, 16MM	1		
10	90601-KAF-003	CLIP, SWITCH COVER	1		
11	95701-06020-00	BOLT, FLANGE, 6X20	1		



KZZ3F3000

Ref. No.	L.O.N.	(Relative ref. Number) Description	F.R.T.
2	4101C6	BAR, MAIN STEP :RIGHT	0.1
6	4101C5	BAR, MAIN STEP :LEFT	0.1
	4101J1	BAR, MAIN STEP :BOTH	0.2
7	4101C7	BAR, PILLION STEP :LEFT	0.1
	4101C8	BAR, PILLION STEP :RIGHT	0.1
	4101P4	BAR, PILLION STEP :BOTH	0.2

Ref. No.	Part No.	Description	Reqd. QTY	Serial No.	Parts catalogue code
			CRF 250L D		
1	50603-KZZ-900	PIN, STEP JOINT	2		
2	50616-KZZ-900	STEP COMP., R.	1		
3	50617-KZZ-900	SPRING, R. STEP RETURN	1		
4	50618-KZZ-900	SPRING, L. STEP RETURN	1		
5	50639-KZZ-900	PIN, STEP BAR	2		
6	50642-KZZ-900	STEP COMP., L.	1		
7	50711-KZZ-900	STEP, PILLION	2		
8	50713-KZZ-900	GUIDE, PILLION STEP	2		
9	90020-KZZ-900	SCREW, PAN, 4X10	2		
10	94101-08000	WASHER, PLAIN, 8MM	2		
11	94102-10000	WASHER, PLAIN, 10MM	2		
12	94201-20150	PIN, SPLIT, 2.0X15	2		
13	94201-20180	PIN, SPLIT, 2.0X18	2		



FR.

KZZ3F3100

Ref. No.	L.O.N.	(Relative ref. Number) Description	F.R.T.
1	615195	SWITCH, SIDE STAND	1.1
2	410180	BAR, SIDE STAND	0.2
3		(4)	
	410182	SPRING, SIDE STAND	0.1

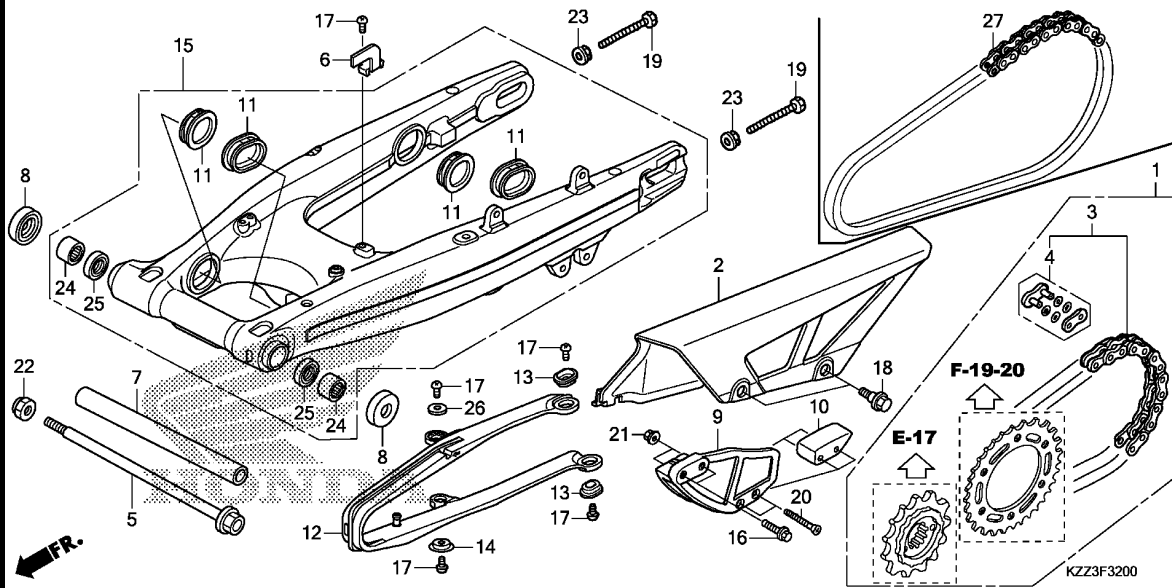
Ref. No.	Part No.	Description	Reqd. QTY	Serial No.	Parts catalogue code
			CRF 250L D		
1	35700-KZZ-901	SWITCH ASSY., SIDE STAND	1		
2	50530-KZZ-900	BAR, SIDE STAND	1		
3	50541-MY5-860	SPRING, SIDE STAND	1		
4	50545-MY5-860	SUB SPRING, SIDE STAND	1		
5	50547-KZZ-900	GUARD, SIDE STAND SWITCH	1		
6	90108-KPP-860	BOLT, SIDE STAND PIVOT	1		
7	90147-KVY-900	BOLT, SWITCH SETTING	1		
8	90304-KGH-901	NUT, U, 10MM	1		
9	96001-06010-07	BOLT, FLANGE, 6X10	2		

3

F-32

SWINGARM

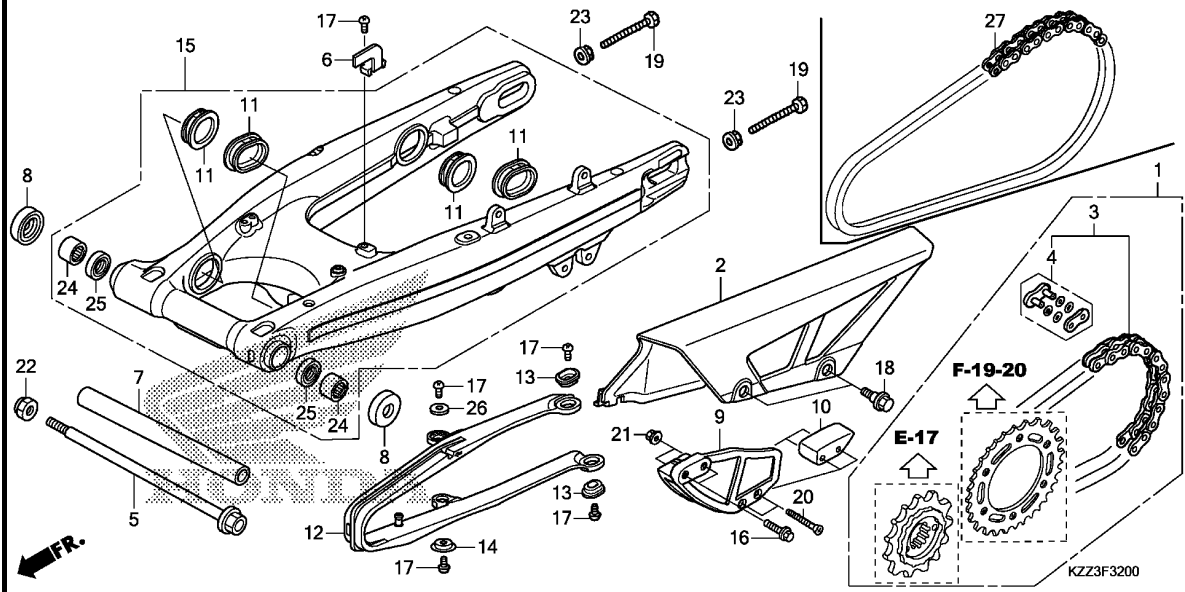
G13



Ref. No.	L.O.N.	(Relative ref. Number) Description	F.R.T.
1	2131G4	CHAIN KIT, DRIVE	0.9
2	410195	CASE, DRIVE CHAIN	0.1
3	213165	CHAIN, DRIVE	0.5
9	4101E2	GUIDE, DRIVE CHAIN	0.1
10	4101J2	SLIDER, CHAIN GUIDE	0.1
12	4101E5	SLIDER, CHAIN	0.3
15	5121B0	SWINGARM ASSEMBLY	0.9
24		(25)	
	5121C8	BEARING, SWINGARM PIVOT :LEFT	1.0
	5121C9	BEARING, SWINGARM PIVOT :RIGHT	1.0
	5121D0	BEARING, SWINGARM PIVOT :BOTH	1.2
27	2131M1	CHAIN, DRIVE(ENDLESS)	0.7

Ref. No.	Part No.	Description	Reqd. QTY	CRF	Serial No.	Parts catalogue code
				250L		
				D		
1	06406-KZZ-900	CHAIN KIT, DRIVE(520-120L) (14/40T)				
		(STANDARD LINK 106L)	1		----- E,ED,F	
2	40510-KZZ-900	CASE, DRIVE CHAIN	1			
3	40540-KYJ-902	CHAIN, DRIVE(DID520VF-120ZB) (STANDARD LINK 106L)	1		----- E,ED,F,U	
4	40545-KYJ-902	JOINT, DRIVE CHAIN(DAIDO) ...	1		----- E,ED,F,U	
5	52101-KZZ-900	BOLT, SWINGARM PIVOT	1			
6	52131-KZZ-900	STAY, CHAIN CASE	1			
7	52141-KZZ-900	COLLAR, CENTER PIVOT DISTANCE	1			
8	52144-356-003	CAP, SWINGARM DUST SEAL(ARAI)	2			
9	52146-KV6-010	GUIDE, CHAIN	1			
10	52147-KV6-010	SLIDER, CHAIN GUIDE	1			
11	52161-KZZ-900	CAP, RR. SWINGARM	4			
12	52170-KZZ-900	SLIDER, CHAIN	1			
13	52171-KR6-000	WASHER, CHAIN SLIDER	2			
14	52171-MAN-620	WASHER, CHAIN SLIDER	1			
15	52200-KZZ-900	SWINGARM SUB ASSY., RR.	1			
16	90103-KZZ-900	BOLT, FLANGE, 6X20	2			
17	90104-KPP-900	SCREW, PAN, 5X12	5			
18	90111-KZZ-900	BOLT, FLANGE, 6MM	2			
19	90112-KZZ-900	BOLT, HEX., 8X47.5	2			
20	90115-KZZ-900	SCREW, FLAT, 6X53	2			
21	90301-KGH-901	NUT, U, 6MM(FUJI SEIMITSU) ..	2			
22	90305-KCJ-951	NUT, U, 14MM	1			

3

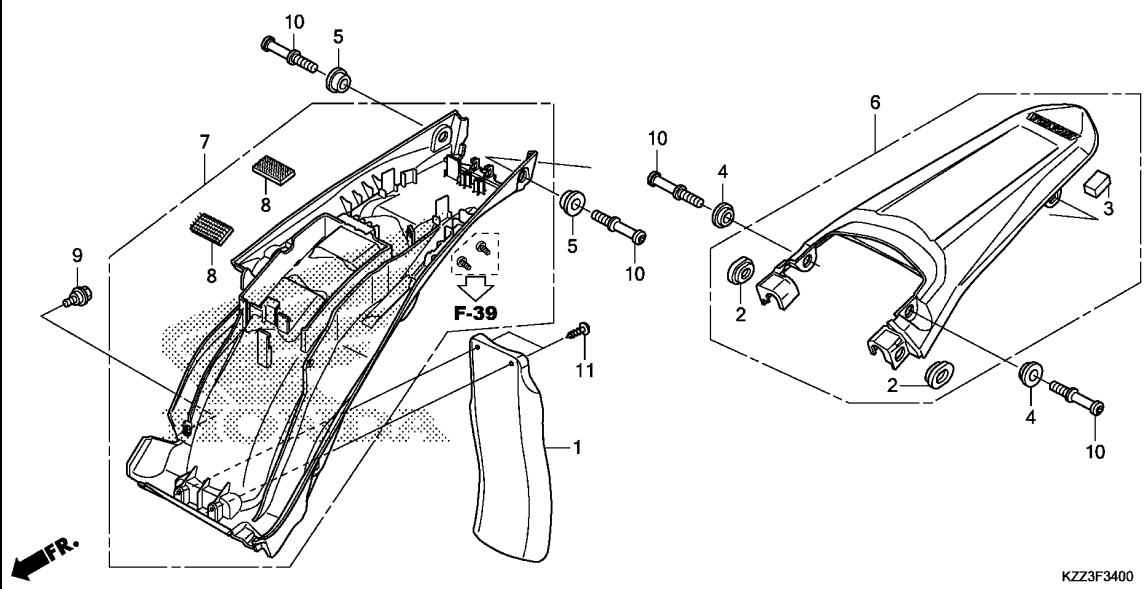


Ref. No.	Part No.	Description	Reqd. QTY		Serial No.	Parts catalogue code
			CRF 250L	D		
23	90309-357-000	NUT, HEX., 8MM	2			
24	91070-GC4-601	BEARING, NEEDLE, 20X26X20(NTN)	2			
25	91254-KS6-003	DUST SEAL, 20X26X4.5(ARAI) ..	2			
26	94103-05700	WASHER, PLAIN, 5MM	1			
27	40530-KZZ-901	CHAIN, DRIVE(DID520VF-106LE) (ENDLESS TYPE)	1	-----	-----	PH

F-34

REAR FENDER

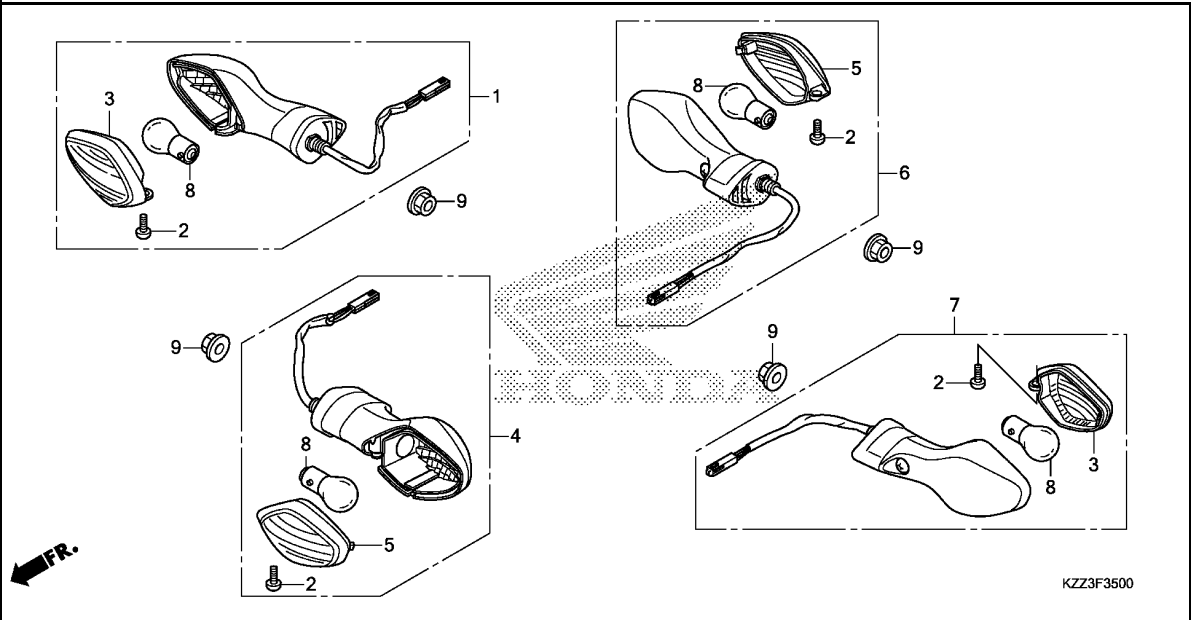
G16



Ref. No.	L.O.N.	(Relative ref. Number) Description	F.R.T.
1	4131G4	MUDGUARD :REAR	0.1
6	413102	FENDER, REAR	0.1
7	413110	FENDER B, REAR	0.6

Ref. No.	Part No.	Description	Reqd. QTY	Serial No.	Parts catalogue code
			CRF 250L D		
1	17218-KZZ-900	MUDGUARD	1		
2	64266-MG9-770	GROMMET, SPEAKER PANEL	2		
3	64465-KZZ-900	RUBBER SPONGE, RR. FENDER ...	1		
4	77223-KZZ-900	COLLAR A, FENDER SETTING	2		
5	77224-KZZ-900	COLLAR B, FENDER SETTING	2		
6	80010-KZZ-900ZD	FENDER SET, RR.(WL) *TYPE1*.....	1		
7	80150-KZZ-305	FENDER SET B, RR.	1		
8	83643-355-300	TAPE, MAGIC (FEMALE) (25X50) ..	2		
9	90110-KZZ-900	BOLT, FLANGE, 6MM	1		
10	90116-KZZ-900	BOLT, HOOK, 8MM	4		
11	93913-15510	SCREW, TAPPING, 5X20	2		

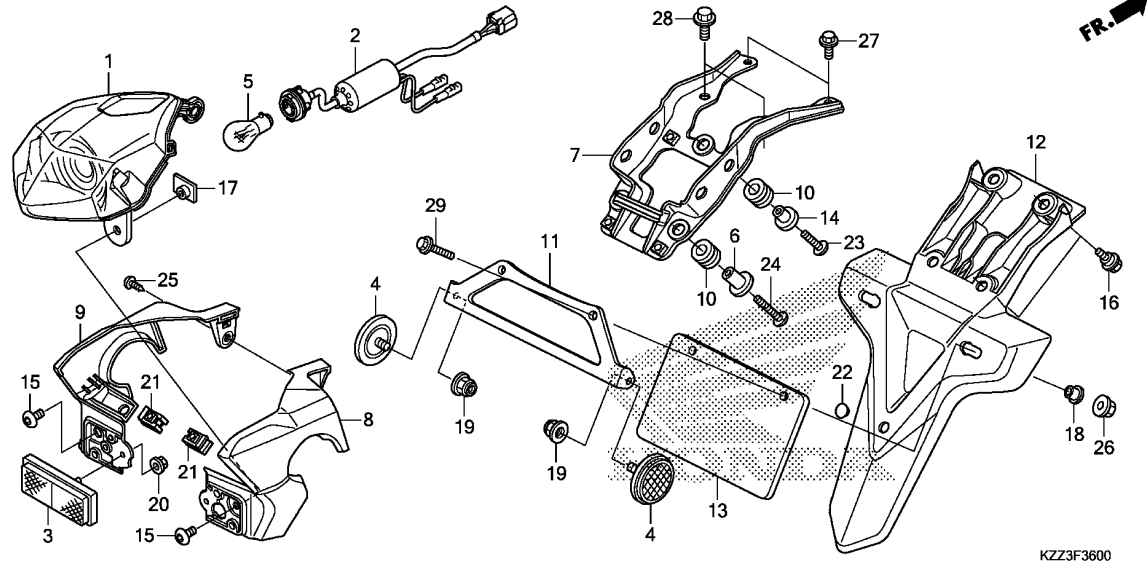
3



Ref. No.	L.O.N.	(Relative ref. Number) Description	F.R.T.
1	6161C4	WINKER :RIGHT FRONT	0.2
4	6161C3	WINKER :LEFT FRONT	0.2
	6161C5	WINKER :BOTH FRONT	0.2
6	6161C7	WINKER :RIGHT REAR	0.3
7	6161C6	WINKER :LEFT REAR	0.3
	6161C8	WINKER :BOTH REAR	0.3
8		(3,5)	
	616133	BULB, WINKER :FRONT	0.1
		.NOTE: Same time for two units	
	616139	BULB, WINKER :REAR	0.1
		.NOTE: Same time for two units	
	6161G0	BULB, WINKER :FOR 1 VEHICLE ..	0.2



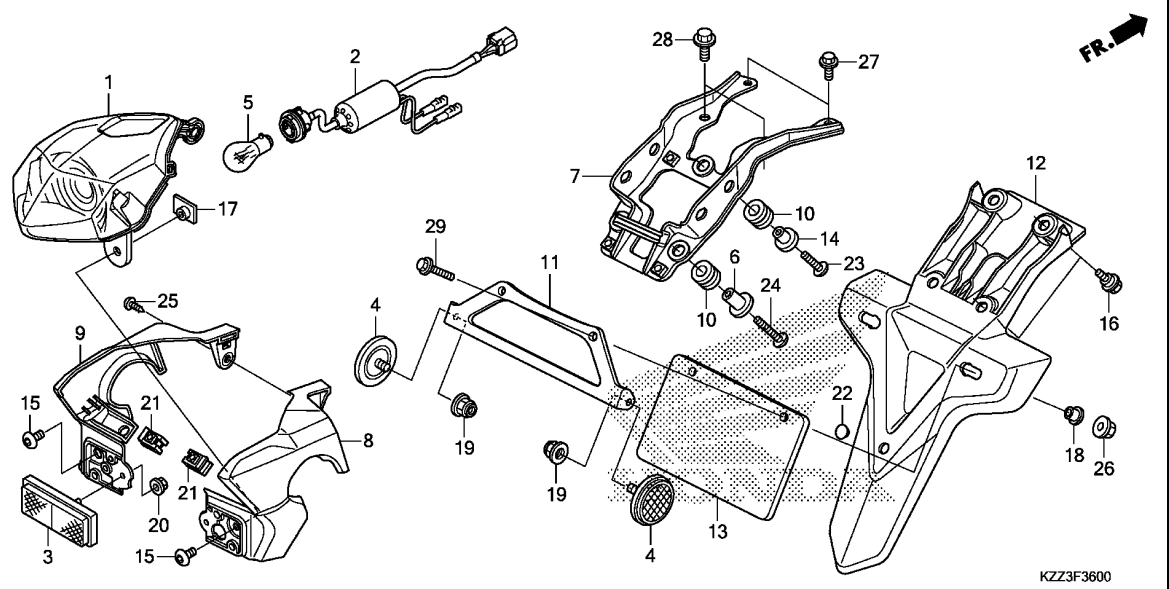
Ref. No.	Part No.	Description	Reqd. QTY	Serial No.	Parts catalogue code
			CRF 250L D		
1	33400-KZZ-901	WINKER ASSY., R. FR.(12V 21W)	1		
2	33402-MGS-D31	SCREW, SPECIAL, 4X10	4		
3	33404-MGS-J31	LENS COMP., R. WINKER			
		(R. FR./L. RR.)	2		
4	33450-KZZ-901	WINKER ASSY., L. FR.(12V 21W)	1		
5	33454-MGS-J31	LENS COMP., L. WINKER			
		(L. FR./R. RR.)	2		
6	33600-KZZ-901	WINKER ASSY., R. RR.(12V 21W)	1		
7	33650-KZZ-901	WINKER ASSY., L. RR.(12V 21W)	1		
8	34905-MGS-J31	BULB, WINKER(12V 21W)(TOSHIBA)	4		
9	94050-10000	NUT, FLANGE, 10MM	4		



Ref. No.	L.O.N.	(Relative ref. Number) Description	F.R.T.
1	6161D5	TAILLIGHT UNIT	0.3
2	6111B4	CORD, TAILLIGHT	0.3
5	6161G1	BULB, TAILLIGHT	0.1
7	4131Y1	STAY, NUMBER PLATE BRACKET ...	0.3
8	6161P2	COVER, TAILLIGHT :RIGHT	0.3
9	6161P1	COVER, TAILLIGHT :LEFT	0.3
	6161S5	COVER, TAILLIGHT :BOTH	0.3
12	4131O5	FENDER A, REAR	0.1

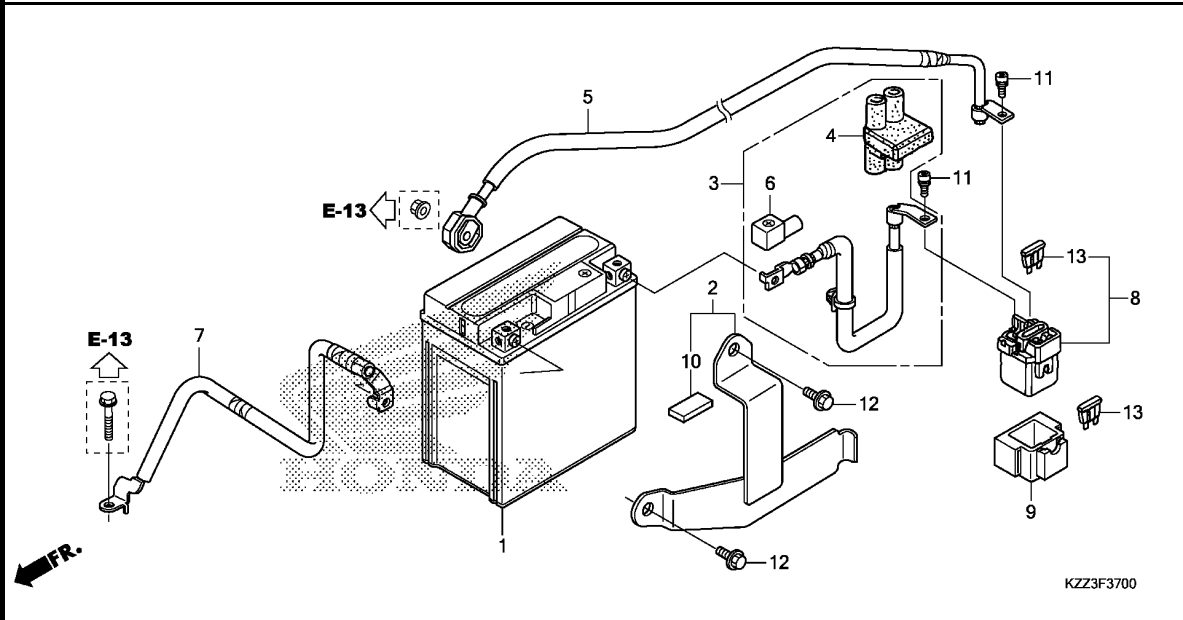
Ref. No.	Part No.	Description	Reqd. QTY		Serial No.	Parts catalogue code
			CRF 250L D			
1	33703-KZZ-901	BASE COMP., TAILLIGHT	1			
2	33704-KZZ-901	CORD COMP., TAILLIGHT	1			
3	33741-KPL-902	REFLECTOR, REFLEX	1			
4	33741-KTG-U01	REFLECTOR, FR. REFLEX(AMBER) (RR.)	2	-----	----- U	
5	34906-KRM-851	BULB, TAIL & STOP LIGHT (12V 21/5W)(PHILIPS)	1			
6	77302-473-000	COLLAR, PILLION SEAT	2			
7	80110-KZZ-900	STAY, NUMBER PLATE BRACKET ..	1			
8	80115-KZZ-900	COVER, R. TAILLIGHT	1			
9	80116-KZZ-900	COVER, L. TAILLIGHT	1			
10	83545-KCJ-690	RUBBER, SIDE COVER	3			
11	84700-KZZ-960	STAY, NUMBER PLATE	1	-----	----- U	
12	84701-KZZ-930	BRACKET, NUMBER PLATE	1	-----	----- E,ED,F,PH	
	84701-KZZ-900	1	-----	----- U	
13	84710-MEE-650	PLATE, NUMBER PLATE BACK ...	1	-----	----- U	
14	90001-961-670	COLLAR, SIDE MOUNTING	1			
15	90106-MGC-000	SCREW, PAN, 6X10	2			
16	90110-KZZ-900	BOLT, FLANGE, 6MM	4			
17	90117-KZZ-900	NUT, SET(6MM)	2			
18	90175-MCT-640	COLLAR, FUEL TANK	2	-----	----- U	
19	90301-KGH-901	NUT, U, 6MM(FUJI SEIMITSU) ..	2	-----	----- U	
20	90301-KWN-901	NUT, U, 5MM	1			
21	90305-GK8-000	NUT, CLIP, 6MM	2			
22	90852-KPP-T00	PLUG, HOLE	1	-----	----- U	





KZZ3F3600

Ref. No.	Part No.	Description	Reqd. QTY		Serial No.	Parts catalogue code
			CRF	250L		
23	93500-06018-0G	SCREW, PAN, 6X18	1			
24	93500-06022-0A	SCREW, PAN, 6X22	2			
25	93903-24320	SCREW, TAPPING, 4X12	1			
26	94050-06000	NUT, FLANGE, 6MM	2		----- U	
27	95701-06012-00	BOLT, FLANGE, 6X12	2			
28	95701-08014-00	BOLT, FLANGE, 8X14	2			
29	96001-06020-00	BOLT, FLANGE, 6X20	2		----- U	



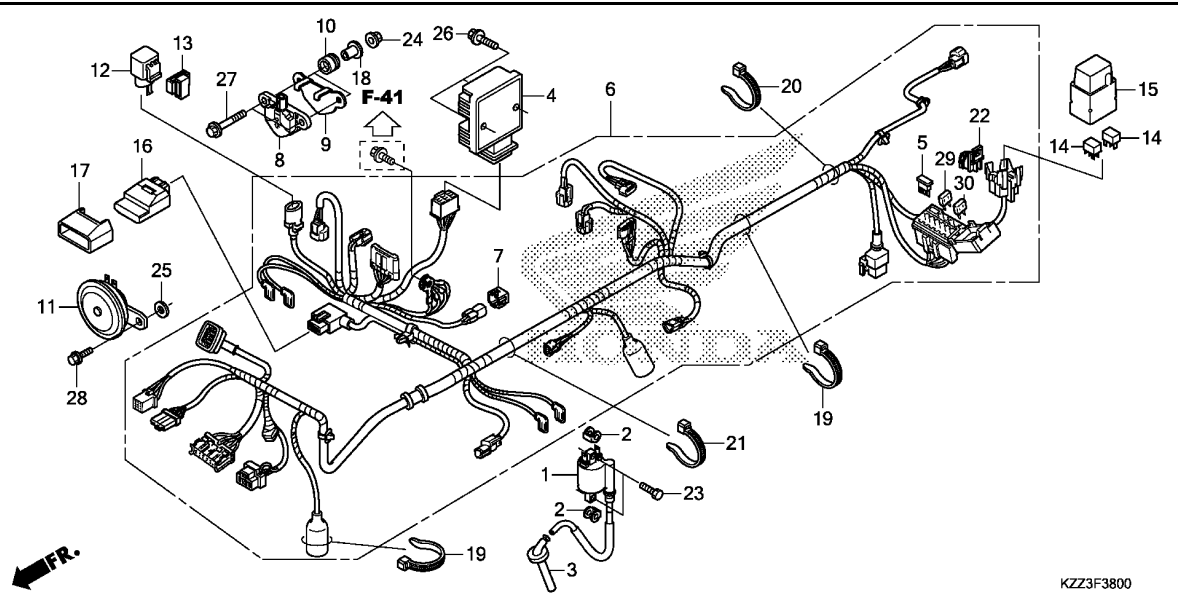
Ref. No.	L.O.N.	(Relative ref. Number) Description	F.R.T.
1	610100	BATTERY	0.2
3	610105	CABLE, POSITIVE BATTERY	0.1
5	612115	CABLE, STARTER MOTOR	0.3
7	610110	CABLE, NEGATIVE BATTERY	0.2
8	615113	SWITCH, STARTER MAGNETIC	0.3

Ref. No.	Part No.	Description	Reqd. QTY	Serial No.	Parts catalogue code
			CRF 250L D		
1	31500-KZZ-931	BATTERY ASSY. (YTX7L-BS) (GS YUASA)	1		
2	31510-KZZ-900	BAND, BATTERY	1		
3	32401-KZZ-900	CABLE, STARTER MAGNETIC	1		
4	32406-MFF-D00	COVER, STARTER MAGNETIC TERMINAL	1		
5	32410-KZZ-900	CABLE, STARTER MOTOR	1		
6	32414-GAG-000	COVER, BATTERY TERMINAL	1		
7	32601-KZZ-900	CABLE, BATTERY EARTH	1		
8	35850-MT4-000	SWITCH ASSY., STARTER MAGNETIC	1		
9	35856-MT3-000	RUBBER, SHOCK	1		
10	50383-KZZ-900	RUBBER, BATTERY (10X20X3)	1		
11	90111-MR5-000	BOLT, SOCKET, 5X9	2		
12	95701-06010-00	BOLT, FLANGE, 6X10	2		
13	98200-33000	FUSE, BLADE (30A)	2		

F-38

WIRE HARNESS

H 5



Ref. No.	L.O.N.	(Relative ref. Number) Description	F.R.T.
1	614105	COIL, IGNITION	0.6
4	6131B2	RECTIFIER, REGULATE	0.4
6	611100	HARNESS, WIRE	0.9
8	617125	SENSOR, BANK ANGLE	0.3
11	616169	HORN	0.1
12	6111C3	RELAY, WINKER	0.2
14	6111D9	RELAY, FAN CONTROL	0.2
	6111G1	RELAY, FUEL PUMP	0.2
16	618135	ENGINE CONTROL MODULE(ECM) ...	0.4

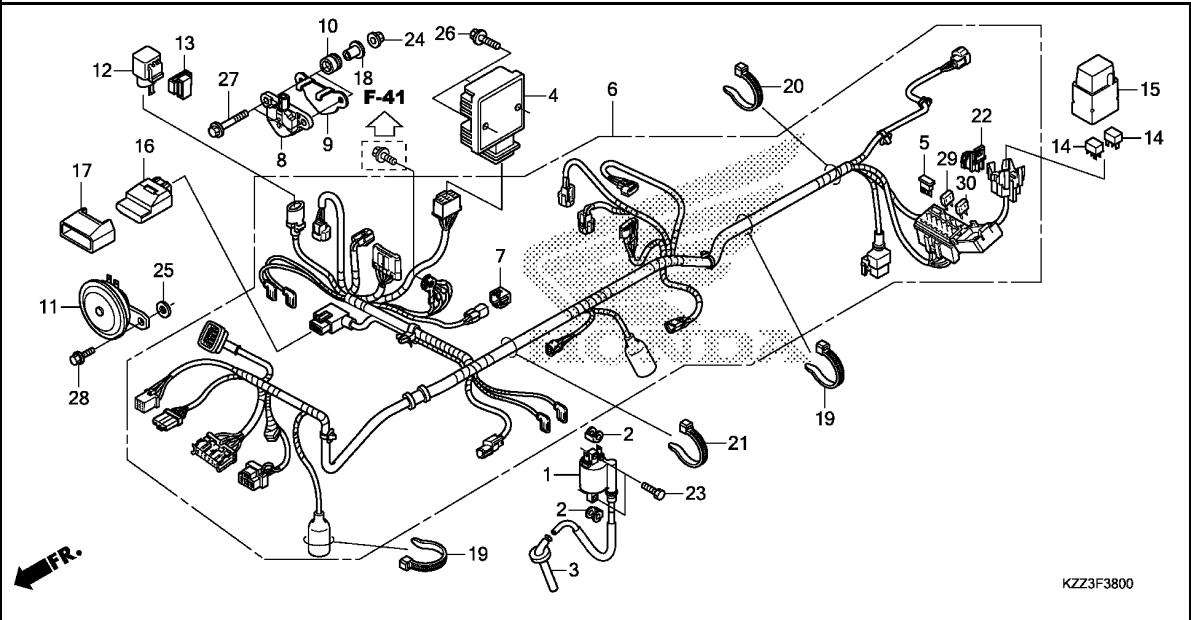
3

Ref. No.	Part No.	Description	Reqd. QTY	Serial No.	Parts catalogue code
			CRF 250L D		
1	30510-KZZ-901	COIL COMP., IGNITION	1		
2	30520-GFM-900	SPACER, IGNITION COIL	2		
3	30700-KZZ-901	CAP ASSY., NOISE SUPPRESSOR ..	1		
4	31600-KVK-901	RECTIFIER ASSY., REGULATOR ..	1		
5	31730-MAS-601	DIODE ASSY., THREE WAY (SUMITOMO)	1		
6	32100-KZZ-930	HARNESS, WIRE	1		
7	32606-GEV-761	CAP, DUMMY(4P)(RED)	1		
8	35160-KVS-751	SENSOR ASSY., BANK ANGLE(M6)	1		
9	35161-KZZ-900	STAY, BANK ANGLE SENSOR	1		
10	37244-MM4-000	RUBBER, SPEEDOMETER MOUNTING	2		
11	38110-KYJ-901	HORN COMP.(HIGH)	1		
12	38301-KYJ-641	RELAY COMP., WINKER	1		
13	38306-GE7-000	SUSPENSION, WINKER RELAY	1		
14	38501-KWN-901	RELAY COMP., POWER (MICRO ISO 4P)(OMRON)	2		
15	38506-KZZ-900	COVER, RELAY(2P)	1		
16	38770-KZZ-932	PGM-FI UNIT	1		
17	38771-KZZ-900	SUSPENSION, ENGINE CONTROL UNIT	1		
18	90502-KS5-000	COLLAR, 19X6.2X13.5	2		
19	90651-KV6-003	BAND, WIRE, 165MM(BLACK)	2		
20	90652-KT1-771	BAND, WIRE(BLACK)	1		
21	90679-SG9-E01	BAND, SUCTION HOSE(BLACK) ...	1		
22	91565-SOX-003	CLIP, COUPLER(DARK GREEN) ...	1		

F-38

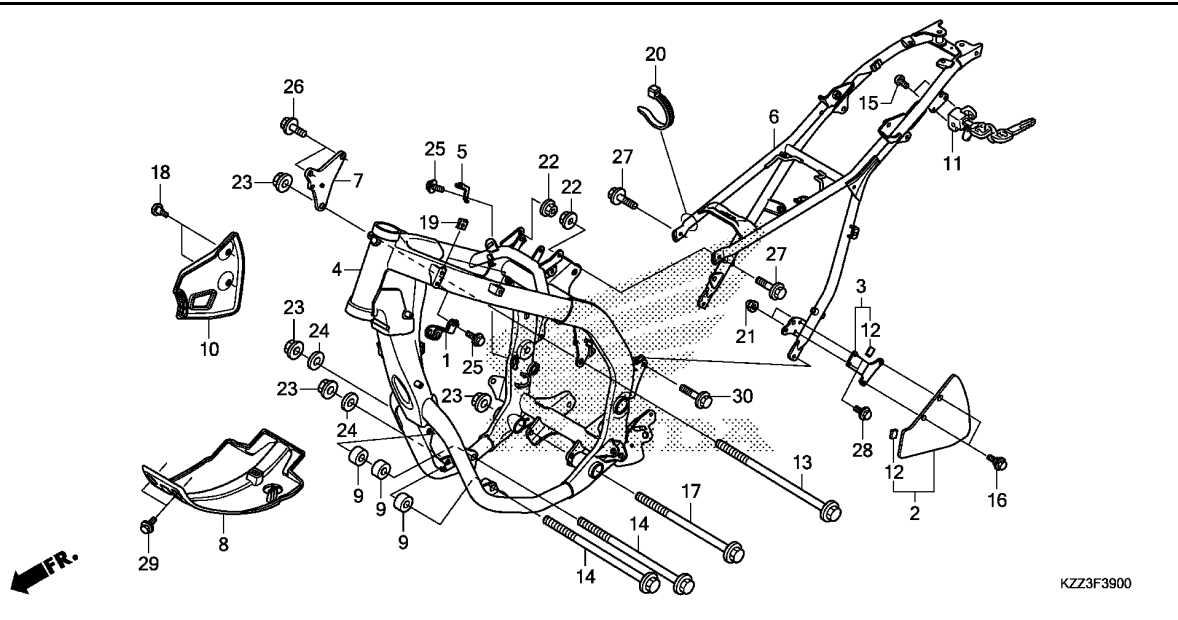
WIRE HARNESS

H 6



Ref. No.	Part No.	Description	Reqd. QTY		Serial No.	Parts catalogue code
			CRF	250L		
			D			
23	92101-06020-4J	BOLT, HEX., 6X20	2			
24	94050-06000	NUT, FLANGE, 6MM	2			
25	94102-08000	WASHER, PLAIN, 8MM	1			
26	95701-06020-00	BOLT, FLANGE, 6X20	2			
27	95701-06030-00	BOLT, FLANGE, 6X30	2			
28	95701-08014-00	BOLT, FLANGE, 8X14	1			
29	98200-40500	FUSE, MINI (5A)	2			
30	98200-41000	FUSE, MINI (10A)	6			

3

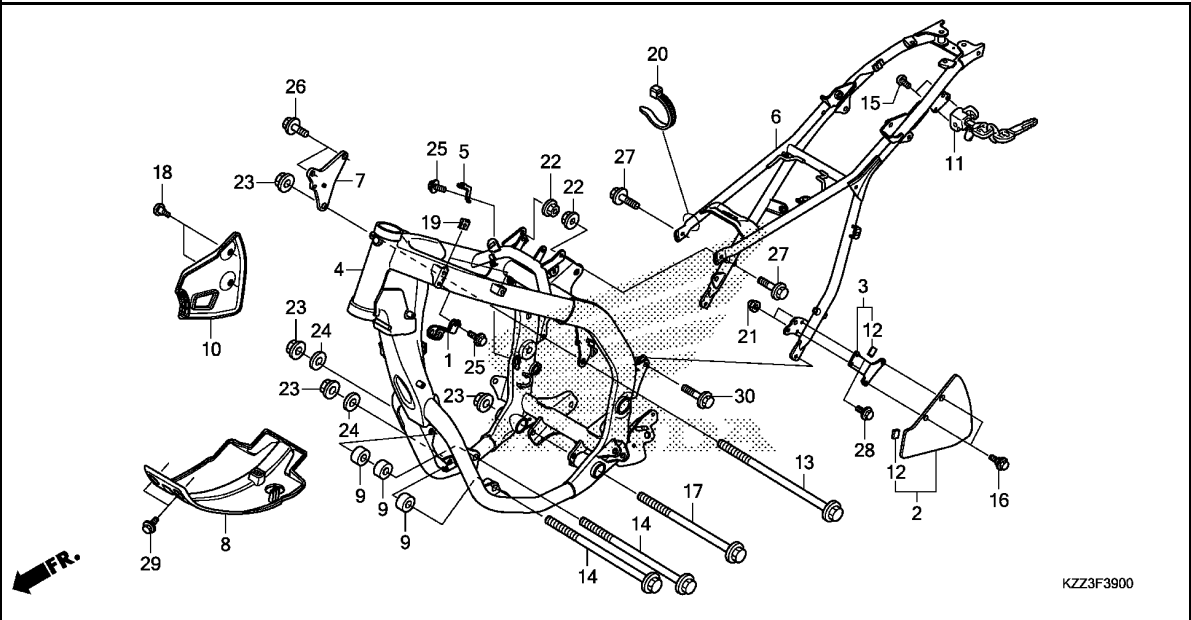


Ref. No.	L.O.N.	(Relative ref. Number) Description	F.R.T.
4	410100	BODY, FRAMEINCLUDES: Engine removal and installation	6.0
6	4101A5	FRAME :REAR	1.3
8	410135	PLATE, SKID	0.1
10	4101A0	GUARD, STEP	0.1
11	410197	LOCK, HELMET	0.2

KZZ3F3900

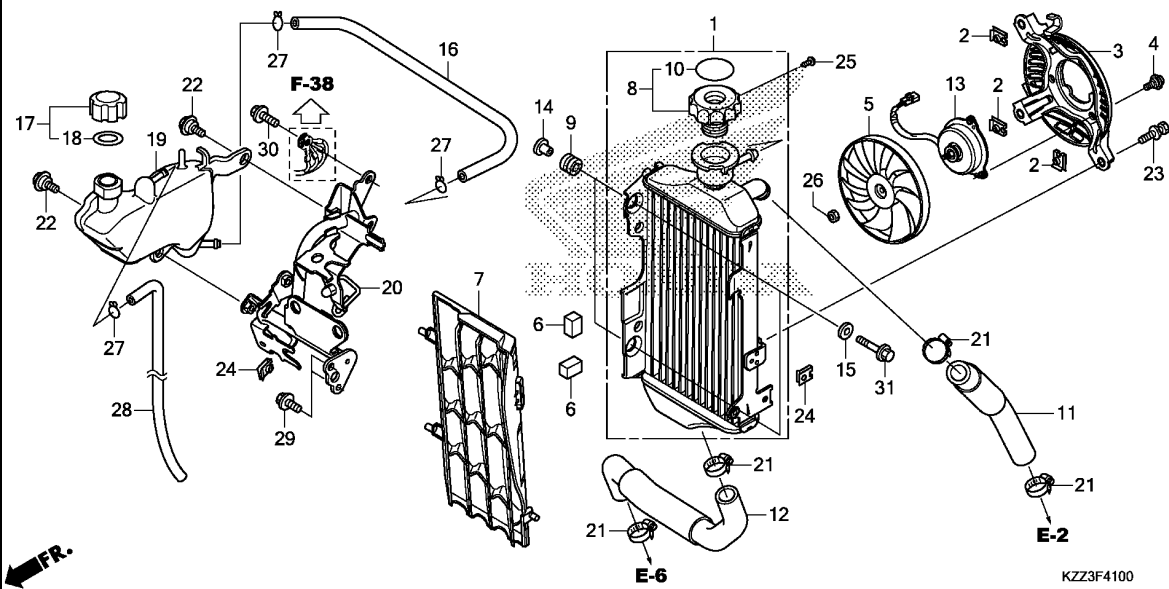


Ref. No.	Part No.	Description	Reqd. QTY	Serial No.	Parts catalogue code
			CRF 250L D		
1	32111-KZZ-900	CLAMPER, HARNESS	1		
2	40515-KZZ-960	COVER, DRIVE CHAIN	1	----- U	
3	40516-KZZ-960	STAY, DRIVE CHAIN COVER	1	----- U	
4	50100-KZZ-900ZB	BODY COMP., FRAME *NH146M*	1		
		ACCURATE SILVER METALLIC	1		
5	50175-KZZ-900	STAY, STOP SWITCH	1		
6	50200-KZZ-900ZB	BODY COMP., RR. FRAME *NH146M*	1		
		ACCURATE SILVER METALLIC	1		
7	50351-KZZ-900	PLATE, R. ENGINE HANGER	1		
8	50355-KZZ-900	PLATE, SKID	1		
9	50361-KZZ-900	COLLAR, ENGINE HANGER	3		
10	50615-KZZ-900	GUARD, HEEL	1		
11	50710-KCZ-J71	HOLDER ASSY., HELMET	1		
12	64341-KWW-A00	RUBBER, CUSHION	2	----- U	
13	90102-KZZ-900	BOLT, FLANGE, 10X150	1		
14	90104-HP6-A00	BOLT, FLANGE, 10X140	2		
15	90105-KGA-B00	BOLT, ONE-WAY, 6X10	2		
16	90111-KZZ-900	BOLT, FLANGE, 6MM	2	----- U	
17	90127-KR3-000	BOLT, FLANGE, 10X130	1		
18	90133-KPP-T00	SCREW, PAN, 6X14	2		
19	90201-KPR-901	NUT, CLIP, 6MM	4		
20	90651-MA6-720	BAND, WIRE HARNESS	1		
21	94021-06000-0S	NUT, CAP, 6MM	2	----- U	



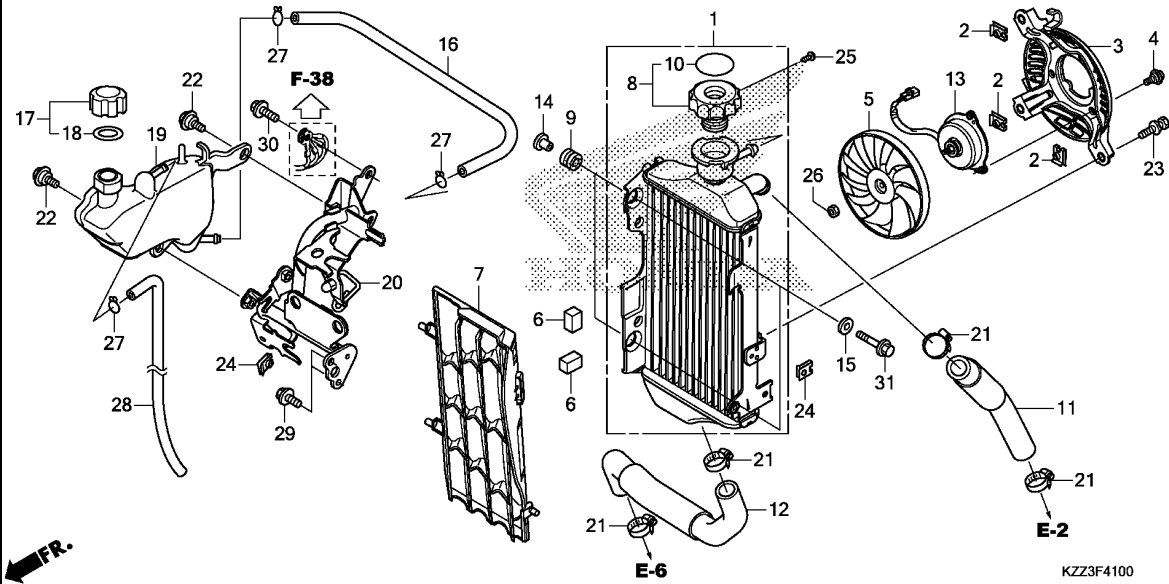
KZZ3F3900

Ref. No.	Part No.	Description	Reqd. QTY		Serial No.	Parts catalogue code
			CRF	250L D		
22	94050-08000	NUT, FLANGE, 8MM	2			
23	94050-10000	NUT, FLANGE, 10MM	4			
24	94101-10800	WASHER, PLAIN, 10MM	2			
25	95701-06012-00	BOLT, FLANGE, 6X12	2			
26	95701-08016-00	BOLT, FLANGE, 8X16	2			
27	95701-08018-00	BOLT, FLANGE, 8X18	2			
28	96001-06010-00	BOLT, FLANGE, 6X10	2	----- U		
29	96300-06010-08	BOLT, FLANGE, 6X10	2			
30	96300-08020-00	BOLT, FLANGE, 8X20	2			



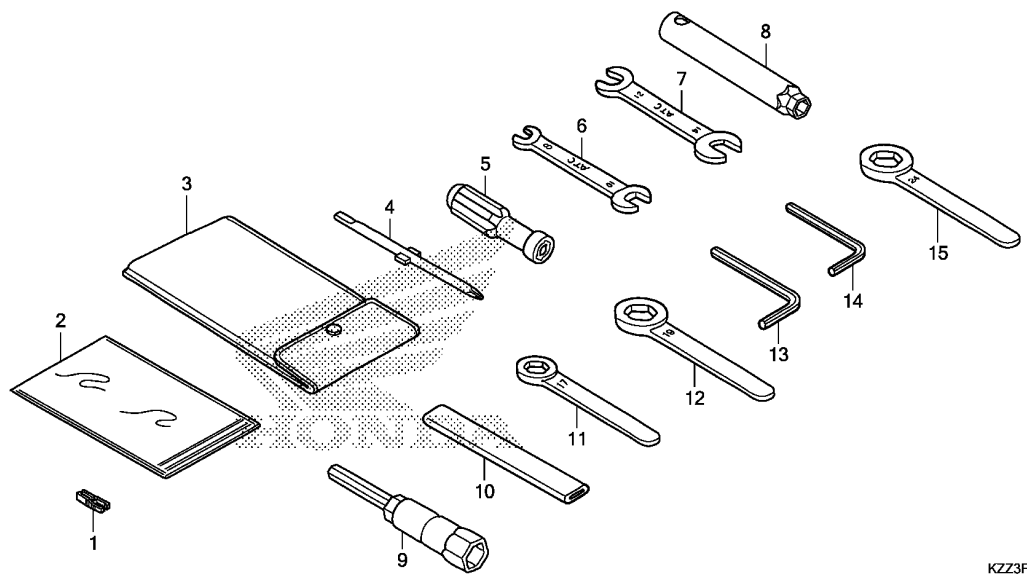
Ref. No.	L.O.N.	(Relative ref. Number) Description	F.R.T.
1	1151C3	RADIATOR	0.3
3	115125	SHROUD, RADIATOR	0.2
5	1151A6	FAN, COOLING	0.2
7	1151B1	GRILLE, RADIATOR	0.1
8	1151B8	CAP, RADIATOR	0.1
11	115103	HOSE, RADIATOR :UPPER	0.3
12	115104	HOSE, RADIATOR :LOWER	0.3
13	1151A7	MOTOR, FAN	0.3
16	1151E5	TUBE, RADIATOR RESERVE TANK ..	0.2
19	115110	TANK, RADIATOR RESERVE	0.3
20	4101CR	STAY, RADIATOR RESERVE TANK ..	0.5

Ref. No.	Part No.	Description	Reqd. QTY	Serial No.	Parts catalogue code
			CRF 250L D		
1	19010-KZZ-931	RADIATOR COMP.(T.RAD)	1		
2	19014-KEA-003	NUT, SETTING(6MM)	3		
3	19015-KZZ-901	SHROUD COMP.	1		
4	19016-KEA-003	SCREW, PAN, 4X8.5	3		
5	19020-KVZ-631	FAN COMP., COOLING	1		
6	19022-KZZ-900	RUBBER, RADIATOR	2		
7	19034-KZZ-900	GRILLE, RADIATOR	1		
8	19045-KPC-871	CAP COMP., RADIATOR	1		
9	19051-KRN-000	RUBBER, RADIATOR MOUNTING ...	2		
10	19055-KPC-871	SEAL, RADIATOR CAP(PICTOGRAPH)	1		
11	19062-KZZ-900	HOSE, RADIATOR UPPER	1		
12	19067-KZZ-900	HOSE, RADIATOR LOWER	1		
13	19080-KZZ-901	MOTOR ASSY., FAN(T.RAD)	1		
14	19091-KZZ-900	COLLAR, RADIATOR MOUNTING ...	2		
15	19092-KZZ-900	WASHER, RADIATOR MOUNTING ...	2		
16	19101-KZZ-900	TUBE, RESERVE TANK	1		
17	19105-MG8-000	CAP ASSY., RESERVE TANK	1		
18	19107-MG8-000	PACKING, RESERVE TANK	1		
19	19110-KZZ-900	TANK, RADIATOR RESERVE	1		
20	19150-KZZ-900	STAY, RESERVE TANK	1		
21	19517-ML7-691	CLAMP, HOSE, 22-29MM	4		
22	90110-KZZ-900	BOLT, FLANGE, 6MM	2		
23	90120-KCR-003	BOLT-WASHER, 6X16	3		
24	90201-KPR-901	NUT, CLIP, 6MM	2		
25	93901-22020	SCREW, TAPPING, 3X6	1		



KZZ3F4100

Ref. No.	Part No.	Description	Reqd. QTY		Serial No.	Parts catalogue code
			CRF	250L D		
26	94001-03000-0S	NUT, HEX., 3MM	1			
27	95002-02100	CLIP, TUBE(B10)	3			
28	95005-55890-20	TUBE(5.3X890)	1			
29	95701-06010-00	BOLT, FLANGE, 6X10	2			
30	95701-06014-00	BOLT, FLANGE, 6X14	1			
31	96001-06028-00	BOLT, FLANGE, 6X28	2			



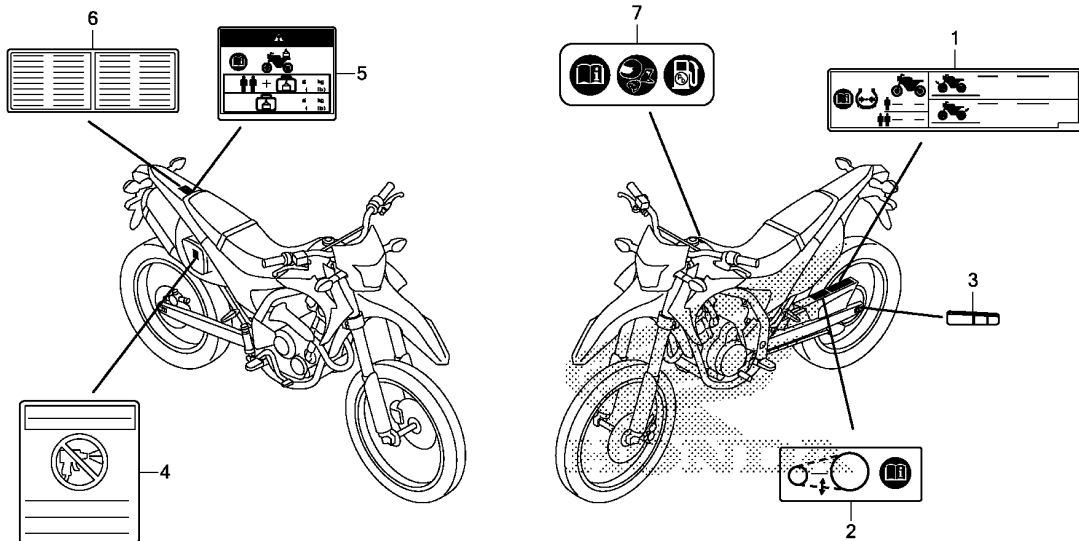
KZZ3F4800

Ref. No.	L.O.N.	(Relative ref. Number) Description	F.R.T.
----------	--------	------------------------------------	--------

NO INFORMATION

3

Ref. No.	Part No.	Description	Reqd. QTY	Serial No.	Parts catalogue code
			CRF 250L D		
1	38235-S04-003	PULLER, MINI FUSE(SUMITOMO) -	1		
2	77250-KZZ-900	BAG, OWNERS MANUAL	1		
3	89101-MC7-000	BAG, TOOL	1		
4	89102-538-000	DRIVER, SCREW(NO.2 + -)	1		
5	89103-538-000	GRIP	1		
6	89211-KWW-601	SPANNER, 8X10(ATC)	1		
7	89213-KWW-601	SPANNER, 12X14(ATC)	1		
8	89215-KZZ-900	WRENCH, BOX	1		
9	89216-KYJ-900	WRENCH, PLUG(16.5)	1		
10	89217-KGH-900	HANDLE, EYE WRENCH	1		
11	89218-MF5-000	WRENCH, EYE, 17MM	1		
12	89219-KWW-601	WRENCH, EYE, 19MM	1		
13	89221-371-000	WRENCH, HEX., 6MM	1		
14	89221-429-000	WRENCH, HEX., 5MM	1		
15	99006-24000	WRENCH, EYE, 24MM	1		

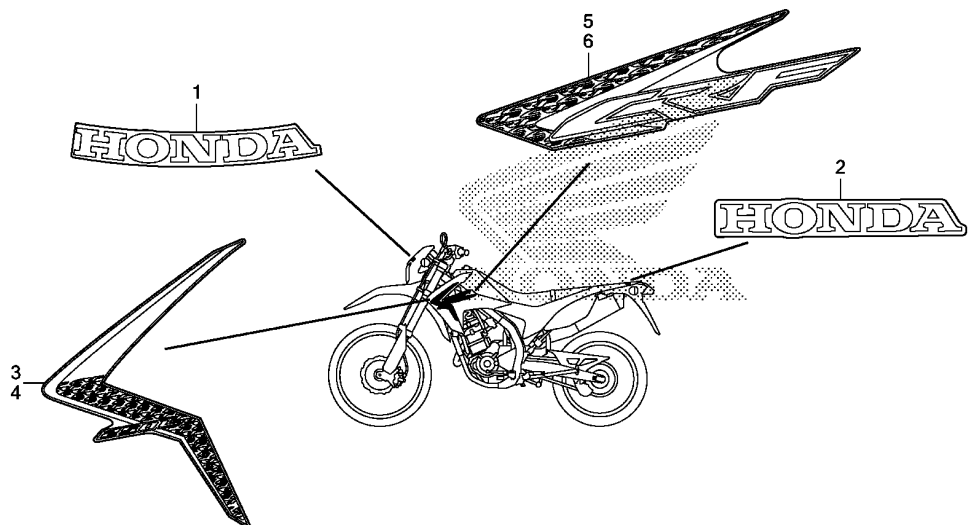


Ref. No.	L.O.N. (Relative ref. Number)	Description	F.R.T.
----------	-------------------------------	-------------	--------

NO INFORMATION

KZZ3F4900

Ref. No.	Part No.	Description	Reqd. QTY		Serial No.	Parts catalogue code
			CRF	250L D		
1	87505-KZZ-930	LABEL, TIRE	1			
2	87507-KSJ-E30	LABEL, DRIVE CHAIN	1			
3	87508-KZZ-900	LABEL, CHAIN ADJUSTER	1			
4	87509-KWP-900	LABEL, AIR CLEANER ELEMENT				
5	87512-KZZ-930	LABEL, ACCESSORIES & LOADING	1		----- PH	
		NOTICE	1		----- E,ED,F,U	
6	87560-MZ1-620	LABEL, FRENCH TRANSLATION ...	1		----- E,ED,F	
7	87586-MGN-D00	LABEL, FUEL & DRIVE	1			



KZZ3F5000

Ref. No.	L.O.N.	(Relative ref. Number)	Description	F.R.T.
----------	--------	------------------------	-------------	--------

NO INFORMATION

3

Ref. No.	Part No.	Description	Reqd. QTY	Serial No.	Parts catalogue code
			CRF 250L D		
1	86101-KZZ-900ZC	MARK, HONDA (70MM) *TYPE1*..... (FR.)	1		
2	86102-KZZ-900ZC	MARK, HONDA (70MM) *TYPE1*..... (RR.)	1		
3	86191-KZZ-900ZD	STRIPE, R. FR. SHROUD *TYPE1*.....	1		
4	86192-KZZ-900ZD	STRIPE, L. FR. SHROUD *TYPE1*.....	1		
5	86193-KZZ-900ZD	STRIPE, R. RR. SHROUD *TYPE1*.....	1		
6	86194-KZZ-900ZD	STRIPE, L. RR. SHROUD *TYPE1*.....	1		

PART NO. INDEX

13

Part Number	Address	Page	Ref.	Part Number	Address	Page	Ref.	Part Number	Address	Page	Ref.	Part Number	Address	Page	Ref.	Part Number	Address	Page	Ref.
50617-KZZ-900	G11	74	3	53167-MGS-D30	F3	50	9	83545-KCJ-690	H2	81	10	89219-KWW-601	H11	90	12	90113-HA0-770	F3	50	21
50618-KZZ-900	G11	74	4	53168-MGS-D30	F3	50	10	83551-GE2-000	G4	67	4	89221-371-000	H11	90	13	90113-KZZ-900	F6	53	14
50639-KZZ-900	G11	74	5	53172-KZZ-900	F3	50	11	83601-KZZ-900ZC	G4	67	5	89221-429-000	H11	90	14		F7	54	6
50642-KZZ-900	G11	74	6	53174-KZZ-900	F3	50	12	83602-KZZ-900ZB	G4	67	6						F10	57	26
50710-KCZ-J71	H7	86	11	53175-KZZ-900	F5	52	12	83603-KZZ-900	G4	67	7	90000				90114-166-006	F5	52	14
50711-KZZ-900	G11	74	7	53176-KZZ-901	F5	52	13	83604-KZZ-900	G4	67	8					90114-KZZ-900	G8	71	19
50713-KZZ-900	G11	74	8	53177-KZZ-900	F3	50	13	83607-KZZ-900	G4	67	9	90001-961-670	H2	81	14	90115-KZZ-900	G13	76	20
				53178-KZZ-900	F3	50	14	83643-355-300	G16	79	8	90002-KGH-900	D1	25	6	90116-KV3-701	F10	57	27
51000				53192-268-000	F3	50	15	83701-KZZ-900	G4	67	10	90003-KVS-900	E6	46	12	90116-KZZ-900	G16	79	10
				53208-KCH-900	F6	53	8	83905-KZZ-900	G4	67	11	90004-GHB-710	G1	64	16	90117-KZZ-900	H2	81	17
51400-KZZ-901	F9	56	3	53214-KZZ-901	F7	54	2					90005-KYJ-900	D7	31	8	90118-KZZ-900	G8	71	20
51401-KZZ-901	F9	56	4	53214-MCJ-751	F7	54	3	84000				90006-KTW-900	F1	48	11	90120-KCR-003	H9	88	23
51410-KZZ-901	F9	56	5	53215-GF8-000	F6	53	9					90010-KYJ-900	D9	33	19	90125-KZZ-900	F16	63	16
51412-KA4-711	F9	56	6	53219-KZZ-900	F7	54	4	84601-HC4-000	G5	68	19	90011-KYJ-900	D2	26	15	90127-KR3-000	H7	86	17
51412-KZZ-901	F9	56	7	53229-MN1-650	F7	54	5	84700-KZZ-960	H2	81	11		D7	31	9	90131-KZZ-900	F11	58	15
51414-MFN-D01	F9	56	8	53300-KZZ-900	F6	53	10	84701-KZZ-900	H2	81	12	90012-KYJ-900	D9	33	20	90132-KPP-T00	G2	65	8
51415-MGP-D01	F9	56	9					84701-KZZ-930	H2	81	12		D13	37	4	90132-KZZ-900	G4	67	12
51419-KZZ-901	F9	56	10	61000				84710-MEE-650	H2	81	13	90013-KYJ-900	D9	33	21	90133-KPP-T00	G2	65	9
51425-KZZ-901	F9	56	11										D13	37	5		G4	67	13
51426-KZZ-901	F9	56	12	61101-KZZ-900	F8	55	1	86000				90014-KYJ-900	E1	41	8		H7	86	18
51430-KZZ-901	F9	56	13	61103-357-000	F1	48	7					90015-KYJ-900	D9	33	22	90140-KZZ-901	F13	60	19
51447-KA4-711	F9	56	14	61104-KZZ-900	F1	48	8	86101-KZZ-900ZC	H13	92	1	90016-KYJ-900	E1	41	9	90145-MS9-612	F5	52	15
51450-KZZ-901	F9	56	15	61140-KZZ-900ZD	F1	48	9	86102-KZZ-900ZC	H13	92	2	90017-KYJ-900	D2	26	16		F13	60	20
51451-MAJ-G41	F9	56	16	61200-KZZ-900ZB	F8	55	2	86150-KPG-901	F6	53	12	90018-KYJ-900	D1	25	7	90147-KVY-900	G12	75	7
51456-KZZ-901	F9	56	17	61315-KZZ-900	F2	49	3	86150-KPG-902	F6	53	12	90019-KYJ-900	D2	26	17	90151-KZZ-900	G15	78	9
51476-KZZ-901	F9	56	18	61325-KZZ-900	F6	53	11	86191-KZZ-900ZD	H13	92	3	90020-KZZ-900	G11	74	9	90152-KZZ-900	G15	78	10
51490-MFL-003	F9	56	19	61328-MJ6-000	F2	49	4	86192-KZZ-900ZD	H13	92	4	90022-KYJ-900	D7	31	10	90153-KZZ-900	G15	78	11
51500-KZZ-901	F9	56	20	61330-KZZ-900	F1	48	10	86193-KZZ-900ZD	H13	92	5	90022-MG8-000	E6	46	13	90154-KZZ-900	G15	78	12
51525-KZZ-901	F9	56	21					86194-KZZ-900ZD	H13	92	6	90023-KYJ-900	D14	38	3	90155-KZZ-900	F6	53	15
51610-KZZ-900ZC	F9	56	22	64000								90032-KYJ-900	E1	41	10		F7	54	7
51620-KZZ-900ZC	F9	56	23					87000				90050-KYJ-902	D11	35	13	90160-KZZ-900	G8	71	21
				64266-MG9-770	G16	79	2					90061-KYJ-900	E1	41	11	90170-KZZ-900	G8	71	22
52000				64341-KWW-A00	H7	86	12	87505-KZZ-930	H12	91	1	90071-MBO-000	D15	39	12	90175-MCT-640	H2	81	18
				64465-KZZ-900	G16	79	3	87507-KSJ-E30	H12	91	2	90084-041-000	E4	44	22	90201-KPR-901	H7	86	19
52101-KZZ-900	G13	76	5					87508-KZZ-900	H12	91	3	90084-KPP-860	D13	37	6		H9	88	24
52131-KZZ-900	G13	76	6	77000				87509-KWP-900	H12	91	4	90087-KPP-860	D13	37	7	90201-KYJ-900	D11	35	14
52141-KZZ-900	G13	76	7					87512-KZZ-930	H12	91	5	90102-KZZ-900	H7	86	13	90204-634-000	D2	26	18
52144-356-003	G13	76	8	77200-KZZ-900ZD	G3	66	1	87516-MCA-660	G15	78	8	90103-KZR-701	F3	50	20	90204-KYJ-900	E3	43	3
52146-KV6-010	G13	76	9	77215-GC2-000	G3	66	2	87560-MZ1-620	H12	91	6	90103-KZZ-900	G13	76	16	90227-GHR-E00	G5	68	21
52147-KV6-010	G13	76	10	77223-KZZ-900	G16	79	4	87586-MGN-D00	H12	91	7	90104-HP6-A00	H7	86	14	90235-KYJ-900	E2	42	9
52161-KZZ-900	G13	76	11	77224-KZZ-900	G16	79	5					90104-KPP-900	G13	76	17	90301-KGH-901	G13	76	21
52170-KZZ-900	G13	76	12	77233-MBL-611	G4	67	2	88000				90104-KZZ-900	F1	48	12		H2	81	19
52171-KR6-000	G13	76	13	77250-KZZ-900	H11	90	2					90105-KGA-B00	H7	86	15	90301-KWN-901	H2	81	20
52171-MAN-620	G13	76	14	77302-473-000	G7	70	8	88114-KWN-900	F3	50	16	90105-KSP-930	F16	63	15	90302-KZR-701	F3	50	22
52200-KZZ-900	G13	76	15					88115-KWN-900	F3	50	17	90105-KZZ-900	F12	59	13	90304-425-000	F6	53	16
52400-KZZ-931	G15	78	1	80000				88210-KWN-900	F3	50	18	90106-KGH-600	F13	60	18	90304-GE8-003	G15	78	13
52462-KPS-900	G15	78	2					88220-KWN-900	F3	50	19	90106-KZZ-900	F10	57	24	90304-KGH-901	G12	75	8
52462-KZZ-900	G15	78	3									90106-MGC-000	H2	81	15	90304-KPH-700	G8	71	23
52464-KPE-900	G15	78	4	80010-KZZ-900ZD	G16	79	6	89000				90107-MBG-000	F6	53	13	90305-GK8-000	H2	81	21
52465-KZZ-900	G15	78	5	80105-KZZ-900	G5	68	18					90108-KPP-860	G12	75	6	90305-KCJ-951	G13	76	22
52472-KZZ-900	G15	78	6	80110-KZZ-900	H2	81	7	89101-MC7-000	H11	90	3	90108-KZZ-900	F10	57	25	90305-KZZ-901	G15	78	14
52475-KZZ-900	G15	78	7	80115-KZZ-900	H2	81	8	89102-538-000	H11	90	4	90109-KZZ-900	G5	68	20	90306-KCJ-951	F16	63	17
				80116-KZZ-900	H2	81	9	89103-538-000	H11	90	5	90110-KZZ-900	G16	79	9	90306-KZZ-901	F16	63	18
53000				80150-KZZ-305	G16	79	7	89211-KWW-601	H11	90	6		H2	81	16	90309-357-000	G14	77	23
								89213-KWW-601	H11	90	7		H9	88	22	90310-ZB7-701	G4	67	14
53100-KZZ-900	F6	53	6	83000				89215-KZZ-900	H11	90	8	90111-KZZ-900	G13	76	18	90321-315-670	F3	50	23
53131-KZZ-900	F6	53	7					89216-KYJ-900	H11	90	9		H7	86	16	90344-964-003	G8	71	24
53140-KZZ-900	F3	50	7	83501-KZZ-900ZC	G4	67	3	89217-KGH-900	H11	90	10	90111-MR5-000	H4	83	11	90401-KCY-670	D14	38	4
53150-KZZ-900	F3	50	8	83512-KZZ-900	G8	71	18	89218-MF5-000	H11	90	11	90112-KZZ-900	G13	76	19	90404-KVK-900	D11	35	15

4

PART NO. INDEX

Part Number	Address	Page	Ref.	Part Number	Address	Page	Ref.	Part Number	Address	Page	Ref.	Part Number	Address	Page	Ref.	Part Number	Address	Page	Ref.
90404-KYJ-902	D11	35	16	91015-MCA-003	E6	46	16	93903-24320	G2	65	11	95701-06010-00	H4	83	12				
90405-KYJ-900	E4	44	23	91053-719-005	D10	34	27		H3	82	25		H10	89	29				
90406-KYJ-900	E4	44	24	91059-KY2-711	F6	53	18	93903-25480	G5	68	23	95701-06012-00	H3	82	27				
90407-KYJ-900	E5	45	25	91070-GC4-601	G14	77	24	93903-26380	F14	61	24		H8	87	25				
90408-KYJ-900	E5	45	26	91071-KV3-005	G15	78	16	93913-142J0	G9	72	25	95701-06012-08	G6	69	26				
90410-GCC-000	D2	26	19	91071-MY1-005	G15	78	17	93913-15510	G16	79	11	95701-06014-00	D7	31	12				
90418-KYJ-900	D2	26	20	91072-MY1-005	G15	78	18	93913-25380	F2	49	6		E5	45	39				
90423-KW6-900	D9	33	23	91101-121-691	E6	46	17	93913-25480	F1	48	13		H10	89	30				
90433-MEY-670	E3	43	4	91105-KSP-910	D2	26	22					95701-06018-00	E1	41	17				
90434-KPS-900	D11	35	17	91107-KYJ-902	D12	36	5	94000				95701-06020-00	G10	73	11				
	E2	42	10	91203-KSP-911	E6	46	18						H6	85	26				
90435-HB3-000	E6	46	14	91204-KK0-003	D10	34	28	94001-03000-0S	H10	89	26	95701-06025-00	D15	39	16				
90438-463-000	F16	63	19	91205-KF0-003	D10	34	29	94002-08000-0S	F4	51	28	95701-06030-00	H6	85	27				
90439-463-000	G10	73	9	91207-KYJ-901	E5	45	37		F14	61	25	95701-06045-00	D16	40	8				
90443-KR0-000	E1	41	12	91212-422-006	F13	60	22	94021-06000-0S	H7	86	21	95701-06120-00	D2	26	25				
90451-KYJ-900	E5	45	27	91251-KZZ-901	F12	59	14	94050-06000	F5	52	20	95701-08014-00	H3	82	28				
90452-KYJ-900	E5	45	28	91253-033-003	F16	63	20		H3	82	26		H6	85	28				
90453-KYJ-900	E5	45	29	91254-KS6-003	G14	77	25		H6	85	24	95701-08016-00	H8	87	26				
90454-KPS-900	E5	45	30		G15	78	19	94050-06070	F4	51	29	95701-08018-00	H8	87	27				
90454-KYJ-900	E5	45	31	91254-MEJ-003	F10	57	29	94050-06080	G1	64	17	95701-08020-00	F2	49	8				
90454-MC7-000	D2	26	21	91262-KV3-831	G15	78	20	94050-08000	G9	72	26	95701-08035-02	G9	72	28				
90455-KYJ-900	E5	45	32	91301-KYJ-901	D10	34	30		H8	87	22								
90457-KRM-840	E6	46	15		D16	40	6	94050-10000	H1	80	9	96000							
90463-ML7-000	D9	33	24		E1	41	13		H8	87	23								
90501-KZ4-J40	G15	78	15	91301-P7A-004	E7	47	20	94101-08000	G11	74	10	96001-06010-00	H8	87	28				
90502-KS5-000	H5	84	18	91302-KYJ-901	D10	34	31	94101-10800	G15	78	21	96001-06010-07	G12	75	9				
90508-KZZ-900	F3	50	24	91303-377-000	D13	37	8		H8	87	24	96001-06018-00	G4	67	16				
90543-MV9-670	D1	25	8	91306-MG3-000	D7	31	11	94102-08000	H6	85	25	96001-06020-00	H3	82	29				
90544-283-000	F10	57	28	91307-035-000	D10	34	32	94102-10000	G11	74	11	96001-06020-07	F4	51	30				
90545-300-000	F5	52	16	91309-425-003	D15	39	13	94103-04000	G9	72	27	96001-06022-07	F5	52	21				
	F13	60	21	91320-MB0-000	D15	39	14	94103-05700	F2	49	7	96001-06028-00	H10	89	31				
90601-KAF-003	G10	73	10	91322-PT0-004	D10	34	33		G14	77	26	96001-06065-00	G1	64	21				
90601-KYJ-900	E5	45	33	91356-KWV-000	D13	37	9	94109-12000	E1	41	14	96100-60010-00	D11	35	19				
90602-KYJ-900	E5	45	34	91356-KZ3-003	F10	57	30	94201-20120	F14	61	26	96100-60013-00	D10	34	36				
90611-KZZ-901	E7	47	19	91533-S04-003	F4	51	25	94201-20150	G11	74	12	96100-63040-00	E5	45	40				
90650-KW3-000	F6	53	17		F6	53	19	94201-20180	G11	74	13	96140-62020-10	F12	59	15				
	G7	70	9	91565-S0X-003	H5	84	22	94301-08140	D2	26	22	96140-62030-00	E5	45	41				
90651-KV6-003	H5	84	19					94301-10160	D1	25	9	96140-63030-10	F16	63	21				
90651-MA5-671	F5	52	17	92000				94301-12160	D2	26	24	96220-30085	E6	46	20				
90651-MA6-720	H7	86	20						D8	32	3	96300-06010-08	H8	87	29				
90652-KT1-771	H5	84	20	92101-06020-4J	H6	85	23		D10	34	34	96300-06014-00	F14	61	28				
90652-KZZ-901	F2	49	5	92900-08022-3E	D2	26	23		D16	40	7	96300-08020-00	H8	87	30				
	G5	68	22	93000					E1	41	15	96300-08035-00	F6	53	20				
90679-SG9-E01	H5	84	21					94302-08140	D10	34	35	96300-08040-00	G9	72	29				
90683-MBW-003	G2	65	10						D13	37	10	96600-06016-00	D14	38	5				
90702-KFM-900	D10	34	25	93404-06020-00	F8	55	3		E1	41	16	96600-06035-00	D14	38	6				
	D16	40	5	93404-06028-00	G7	70	10	94510-14000	E6	46	19	96600-08020-10	D14	38	7				
90741-KFB-000	E3	43	5	93500-05010-1H	E7	47	21	94520-37000	E5	45	38								
90742-KYJ-900	E2	42	11	93500-05016-0A	F14	61	23					98000							
90852-KPP-T00	H2	81	22	93500-05022-0G	F4	51	26												
				93500-06018-0G	H3	82	23												
91000				93500-06022-0A	H3	82	24	95001-45300-40	G1	64	18	98200-33000	H4	83	13				
				93600-04012-1G	F5	52	18	95001-45380-40	G1	64	19	98200-40500	H6	85	29				
91003-KYJ-901	E5	45	35	93892-05012-08	D15	39	15	95002-02080	G1	64	20	98200-41000	H6	85	30				
91005-KYJ-901	E5	45	36	93892-05012-18	E7	47	22	95002-02100	H10	89	27								
91008-KYJ-901	E3	43	6	93893-04012-17	F5	52	19	95003-19042-10	G5	68	24	99000							
91009-KYJ-901	D10	34	26	93901-22020	H9	88	25	95005-55890-20	H10	89	28	99006-24000	H11	90	15				
91012-KYJ-901	D11	35	18	93901-32320	F4	51	27	95015-54000	F14	61	27								
91015-425-831	F7	54	8	93903-24280	G4	67	15	95018-56250	G6	69	25								

PART NAME INDEX

J 1

Part name	Address	Page	Ref.	Part name	Address	Page	Ref.	Part name	Address	Page	Ref.
[A]											
ADJUSTER, CHAIN	F16	63	2	BODY COMP., RR. FRAME	H7	86	6	BOLT, FLANGE, 6X25	D15	39	16
ARM COMP., EX. VALVE ROCKER ..	D4	28	5	BODY SET	E7	47	8	BOLT, FLANGE, 6X28	H10	89	31
ARM COMP., IN. VALVE ROCKER ..	D4	28	4	BOLT-WASHER, 6X16	H9	88	23	BOLT, FLANGE, 6X30	D9	33	21
ARM SUB ASSY., CUSHION	G15	78	5	BOLT-WASHER, 6X20	F8	55	3		D13	37	5
AXLE, FR. WHEEL	F12	59	3	BOLT-WASHER, 6X25	D7	31	10	BOLT, FLANGE, 6X32	H6	85	27
AXLE, RR. WHEEL	F16	63	4	BOLT-WASHER, 6X28	G7	70	10	BOLT, FLANGE, 6X39.5	D2	26	16
				BOLT B, ADAPTER, 10MM	F3	50	20	BOLT, FLANGE, 6X40	D2	26	17
				BOLT COMP., FR. FORK	F9	56	15		E1	41	8
				BOLT, 6X1.0	D11	35	13		G1	64	16
				BOLT, BRAKE DISK, 6X17	F13	60	18	BOLT, FLANGE, 6X45	D16	40	8
				BOLT, DISK, 6X17	F12	59	13	BOLT, FLANGE, 6X60	D9	33	22
				BOLT, DISK, 8X22	F16	63	15	BOLT, FLANGE, 6X65	G1	64	21
BAG, OWNERS MANUAL	H11	90	2	BOLT, DRAIN PLUG, 12MM	E1	41	11	BOLT, FLANGE, 6X70	E1	41	9
BAG, TOOL	H11	90	3	BOLT, DRIVE SPROCKET FIXING ...	E4	44	22	BOLT, FLANGE, 8X14	H3	82	28
BAND, AIR CLEANER CONNECTING TUBE	G6	69	25	BOLT, FLANGE, 10X103	G15	78	10		H6	85	28
BAND, BATTERY	H4	83	2	BOLT, FLANGE, 10X127	G15	78	9	BOLT, FLANGE, 8X16	G8	71	20
BAND, INSULATOR	D2	26	7	BOLT, FLANGE, 10X130	H7	86	17		H8	87	26
BAND, RESONATOR	G5	68	6	BOLT, FLANGE, 10X140	H7	86	14	BOLT, FLANGE, 8X18	H8	87	27
BAND, R. EX. PIPE	G8	71	15	BOLT, FLANGE, 10X150	H7	86	13	BOLT, FLANGE, 8X20	F2	49	8
BAND, SUCTION HOSE	H5	84	21	BOLT, FLANGE, 10X53	G15	78	12		H8	87	30
BAND, TOOL	G4	67	9	BOLT, FLANGE, 12X50	D14	38	3	BOLT, FLANGE, 8X32	F11	58	15
BAND, WIRE	F6	53	17	BOLT, FLANGE, 12X88	G15	78	11	BOLT, FLANGE, 8X35	F6	53	20
	G7	70	9	BOLT, FLANGE, 5X14	D1	25	6		G9	72	28
	H5	84	20	BOLT, FLANGE, 5X20	E7	47	2	BOLT, FLANGE, 8X40	F10	57	25
BAND, WIRE HARNESS	H7	86	20	BOLT, FLANGE, 6MM	F6	53	14		G9	72	29
BAND, WIRE, 165MM	H5	84	19		F7	54	6	BOLT, FLANGE, 8X45	F6	53	15
BAR, SIDE STAND	G12	75	2		F10	57	26		F7	54	7
BASE COMP., CONTACT	F6	53	3		G5	68	20	BOLT, HANDLE LEVER PIVOT	F3	50	21
BASE COMP., TAILLIGHT	H2	81	1		G13	76	18		F5	52	14
BATTERY ASSY.	H4	83	1		G16	79	9	BOLT, HEAD COVER	D1	25	7
BEARING A, CRANKSHAFT	E1	41	4		H2	81	16	BOLT, HEX., 6X20	E6	46	12
BEARING B, CRANKSHAFT	E1	41	4		H7	86	16		H6	85	23
BEARING C, CRANKSHAFT	E1	41	4		H9	88	22	BOLT, HEX., 8X47.5	G13	76	19
BEARING D, CRANKSHAFT	E1	41	4	BOLT, FLANGE, 6X10	G12	75	9	BOLT, HOOK, 8MM	G16	79	10
BEARING E, CRANKSHAFT	E1	41	4		H4	83	12	BOLT, MUFFLER PROTECTOR	G8	71	21
BEARING F, CRANKSHAFT	E1	41	4		H8	87	28	BOLT, OIL, 10X22	F5	52	15
BEARING G, CRANKSHAFT	E1	41	4		H10	89	29		F13	60	20
BEARING, HEAD PIPE UPPER	F7	54	8	BOLT, FLANGE, 6X12	G6	69	26	BOLT, ONE-WAY, 6X10	H7	86	15
BEARING, NEEDLE	G15	78	16		H3	82	27	BOLT, ONE-WAY, 8MM	F6	53	13
BEARING, NEEDLE, 12X16X10	D10	34	27		H8	87	25	BOLT, PIN	F11	58	8
BEARING, NEEDLE, 14MM	E6	46	17	BOLT, FLANGE, 6X120	D2	26	25	BOLT, PROTECTOR	F10	57	24
BEARING, NEEDLE, 17X24X17	G15	78	17		D7	31	12	BOLT, SEALING, 12MM	D2	26	4
BEARING, NEEDLE, 17X27X13	E5	45	35	BOLT, FLANGE, 6X14	E5	45	39	BOLT, SEALING, 16MM	E1	41	2
BEARING, NEEDLE, 20X26X20	G14	77	24		F14	61	28	BOLT, SETTING	D15	39	6
	G15	78	18		H10	89	30	BOLT, SIDE STAND PIVOT	G12	75	6
BEARING, NEEDLE, 28X33X16.8 ..	D11	35	18	BOLT, FLANGE, 6X16	D9	33	19	BOLT, SOCKET, 5X9	H4	83	11
BEARING, NEEDLE, 29X34X24	D12	36	5		E1	41	17	BOLT, SOCKET, 6X16	D14	38	5
BEARING, RADIAL BALL	E5	45	36	BOLT, FLANGE, 6X18	E1	41	17	BOLT, SOCKET, 6X35	D14	38	6
BEARING, RADIAL BALL, 6001	D10	34	36		G4	67	16	BOLT, SOCKET, 8MM	F10	57	27
	D11	35	19	BOLT, FLANGE, 6X20	F4	51	30	BOLT, SOCKET, 8X20	D14	38	7
BEARING, RADIAL BALL, 6001U ..	D10	34	26		G10	73	11	BOLT, SPECIAL, 6X18	F1	48	11
BEARING, RADIAL BALL, 6202U ..	F12	59	15	BOLT, FLANGE, 6X22	D2	26	15	BOLT, SPROCKET FIXING, 10X31 ..	F16	63	16
BEARING, RADIAL BALL, 6203U ..	E5	45	41		D7	31	9	BOLT, STUD, 10X178	E1	41	10
BEARING, RADIAL BALL, 6204	E3	43	6		H6	85	26	BOLT, STUD, 8X22	D2	26	23
BEARING, RADIAL BALL, 6303U ..	F16	63	21	BOLT, FLANGE, 6X25	D9	33	20	BOLT, SWINGARM PIVOT	G13	76	5
BEARING, RADIAL BALL, 6304	E5	45	40		D13	37	4	BOLT, SWITCH SETTING	G12	75	7
BEARING, RADIAL BALL, 6905	E6	46	16		F5	52	21	BOLT, TERMINAL	D15	39	7
BODY ASSY., THROTTLE	E7	47	7	BOLT, FLANGE, 6X25	D9	33	20	BOLT, WASHER, 6X22	F1	48	12
BODY COMP., FRAME	H7	86	4		D13	37	4	BOLT, WIRE ADJUSTING	F3	50	15

PART NAME INDEX

J 2

Part name	Address	Page	Ref.	Part name	Address	Page	Ref.	Part name	Address	Page	Ref.
BOOT B	F11	58	10	CENTER, CLUTCH	D11	35	3	COLLAR, RR. AXLE DISTANCE	F16	63	6
	F15	62	12	CHAIN KIT, DRIVE	G13	76	1	COLLAR, RR. WHEEL	F16	63	5
BOOT COMP.	F5	52	3	CHAIN, CAM	D7	31	1	COLLAR, SIDE COVER	G4	67	11
	F13	60	5	CHAIN, DRIVE	G13	76	3	COLLAR, SIDE MOUNTING	H2	81	14
BOOT, MIRROR	F3	50	16		G14	77	27	COLLAR, SPLINE, 23MM	E4	44	18
BOOT, PIN BUSH	F11	58	9	CIRCLIP	F5	52	17	COLLAR, SPLINE, 25X10	E4	44	13
	F15	62	11		F13	60	16	COLLAR, TANK SET	G1	64	4
BOX, TOOL	G4	67	7	CIRCLIP, EXTERNAL, 14MM	E6	46	19	COLLAR, TENSIONER	D7	31	3
BRACKET SUB ASSY., FR. CALIPER	F11	58	12	CIRCLIP, EXTERNAL, 20MM	E5	45	33	CONNECTOR, MASTER CYLINDER	F13	60	4
BRACKET SUB ASSY., RR.	F15	62	5	CIRCLIP, EXTERNAL, 25MM	E5	45	34	CORD COMP., OXYGEN SENSOR	D2	26	12
BRACKET, L. HANDLE LEVER	F3	50	11	CIRCLIP, INTERNAL, 37MM	E5	45	38	CORD COMP., TAILLIGHT	H2	81	2
BRACKET, NUMBER PLATE	H2	81	12	CIRCLIP, RR. MASTER CYLINDER ..	F13	60	11	COTTER, VALVE	D4	28	13
BRIDGE COMP., FORK TOP	F6	53	10	CLAMPER A, BRAKE HOSE	F9	56	1	COUNTERSHAFT	E4	44	3
BRUSH SET A, CARBON	D15	39	2	CLAMPER B, BRAKE HOSE	F9	56	2	COVER ASSY., CYLINDER HEAD	D1	25	1
BRUSH SET B, CARBON	D15	39	3	CLAMPER, HARNESS	H7	86	1	COVER ASSY., R. CRANKCASE	D9	33	1
BULB	F1	48	6	CLAMP, CORD	F1	48	3	COVER COMP., L. RR.	D13	37	2
BULB, HEADLIGHT	F1	48	5	CLAMP, HOSE	E7	47	19	COVER COMP., WATER PUMP	D9	33	13
BULB, TAIL & STOP LIGHT	H2	81	5	CLAMP, HOSE, 22-29MM	G8	71	17	COVER, BATTERY TERMINAL	H4	83	6
BULB, WINKER	H1	80	8		H9	88	21	COVER, DRIVE CHAIN	H7	86	2
BUSH, 20X23X17.4	E4	44	15	CLAMP, MASTER CYLINDER OIL				COVER, FR. MUFFLER	G8	71	10
BUSH, GUIDE	F9	56	8		HOSE F13	60	10	COVER, FR. RESERVE TANK	G2	65	6
BUSH, SLIDER	F9	56	9	CLIP	F2	49	5	COVER, L. CRANKCASE	D13	37	1
					G5	68	22	COVER, L. HANDLE LEVER	F3	50	13
[C]				CLIP, BODY	G2	65	10	COVER, L. SIDE	G4	67	5
CABLE COMP. A, THROTTLE	F3	50	1	CLIP, BREATHER TUBE	G5	68	12	COVER, L. SIDE LOWER	G4	67	10
CABLE COMP. B, THROTTLE	F3	50	2		G7	70	13	COVER, L. TAILLIGHT	H2	81	9
CABLE COMP., CLUTCH	F3	50	3	CLIP, COUPLER	F4	51	25	COVER, O2 SENSOR	D2	26	13
CABLE, BATTERY EARTH	H4	83	7		F6	53	19	COVER, OIL FILTER	D9	33	5
CABLE, STARTER MAGNETIC					H5	84	22	COVER, REED VALVE	D1	25	5
	BATTERY H4	83	3	CLIP, PISTON PIN, 17MM	E2	42	5	COVER, RELAY	H5	84	15
CABLE, STARTER MOTOR	H4	83	5	CLIP, SUB TANK HOSE	G5	68	14	COVER, RR. MUFFLER	G8	71	14
CALIPER SUB ASSY., L. FR.	F11	58	11		G7	70	2	COVER, RR. RESERVE TANK	G2	65	7
CALIPER SUB ASSY., RR.	F15	62	4	CLIP, SWITCH COVER	G10	73	10	COVER, RUBBER	F1	48	2
CAMSHAFT COMP., EX.	D4	28	3	CLIP, TUBE	G1	64	20	COVER, R. HANDLE LEVER	F5	52	13
CAMSHAFT COMP., IN.	D4	28	2		H10	89	27	COVER, R. SIDE	G4	67	3
CAP ASSY., NOISE SUPPRESSOR ..	H5	84	3	COIL COMP., IGNITION	H5	84	1	COVER, R. TAILLIGHT	H2	81	8
CAP ASSY., RESERVE TANK	H9	88	17	COLLAR	F1	48	8	COVER, STARTER MAGNETIC			
CAP COMP., FUEL FILLER	G1	64	13		G1	64	10	TERMINAL H4	H4	83	4
CAP COMP., RADIATOR	H9	88	8	COLLAR A, CUSHION ARM	G15	78	2	COVER, THERMOSTAT	D2	26	9
CAP, 30MM	D13	37	7	COLLAR A, FENDER SETTING	G16	79	4	COVER, TOOL BOX	G4	67	6
CAP, AIR INJECTION SOLENOID				COLLAR B, FENDER SETTING	G16	79	5	CRANKCASE COMP., L.	E1	41	3
	VALVE G7	70	5	COLLAR COMP., FR. WHEEL SIDE ..	F12	59	4	CRANKCASE COMP., R.	E1	41	1
CAP, A.C. GENERATOR	D13	37	6	COLLAR C, CUSHION ARM	G15	78	3	CRANKSHAFT COMP.	E2	42	1
CAP, BLEEDER	F11	58	5					CUP COMP., OIL	F13	60	7
	F15	62	8	COLLAR, 19X6.2X13.5	H5	84	18	CUSHION ASSY., RR.	G15	78	1
CAP, DUMMY	H5	84	7	COLLAR, 20X23X10.5	E4	44	5	CUSHION RING, INJECTOR	E7	47	15
CAP, LOCK NUT	F3	50	17	COLLAR, 22X25X11	E4	44	8	CUSHION, FUEL TANK PIVOT	G1	64	3
CAP, MASTER CYLINDER	F5	52	5	COLLAR, 25X28X10	E4	44	11	CUSHION, SHROUD	G1	64	14
	F13	60	9	COLLAR, CENTER PIVOT DISTANCE ..	G13	76	7	CYLINDER COMP.	D8	32	1
CAP, OIL FILLER	D9	33	9	COLLAR, CONNECTING ROD	G15	78	6	CYLINDER SET, MASTER	F5	52	11
CAP, RIM HOLE	F12	59	2	COLLAR, ENGINE HANGER	H7	86	9	CYLINDER SUB ASSY., FR. BRAKE			
	F16	63	13	COLLAR, FR. AXLE DISTANCE	F12	59	5	MASTER F5	F5	52	4
CAP, RR. SWINGARM	G13	76	11	COLLAR, FR. FENDER	F8	55	1	CYLINDER SUB ASSY., RR. BRAKE			
CAP, STEERING STEM	F6	53	8	COLLAR, FUEL TANK	H2	81	18	MASTER F13	F13	60	6
CAP, SWINGARM DUST SEAL	G13	76	8	COLLAR, OIL PATH, 18MM	D9	33	3				
CAP, TAIL	G8	71	4	COLLAR, PILLION SEAT	G7	70	8	[D]			
CASE COMP., AIR CLEANER	G5	68	1	COLLAR, RADIATOR MOUNTING	H9	88	14	DAMPER COMP., FR.	F9	56	13
CASE, DRIVE CHAIN	G13	76	2					DAMPER, CONNECTOR	E7	47	16

PART NAME INDEX

J 3

Part name	Address	Page	Ref.	Part name	Address	Page	Ref.	Part name	Address	Page	Ref.
DIAPHRAGM	F5	52	8	GASKET, WATER PUMP COVER	D9	33	14	HOSE, RADIATOR UPPER	H9	88	11
	F13	60	14	GEAR ASSY., BALANCER DRIVEN ...	E3	43	1	HOUSING, UNDER THROTTLE	F3	50	10
DIODE ASSY., THREE WAY	H5	84	5	GEAR COMP., OIL PUMP	D16	40	3	HOUSING, UPPER THROTTLE	F3	50	9
DISK B, CLUTCH FRICTION	D11	35	6	GEAR COMP., STARTER DRIVEN	D12	36	1	HUB SUB ASSY., FR.	F12	59	6
DISK, CLUTCH FRICTION	D11	35	5	GEAR, BALANCER DRIVE	E2	42	6	HUB SUB ASSY., RR.	F16	63	7
DISK, FR. BRAKE	F12	59	12	GEAR, COUNTERSHAFT FIFTH	E4	44	16	[I]			
DISK, RR. BRAKE	F16	63	14	GEAR, COUNTERSHAFT FOURTH	E4	44	12	IMPELLER, WATER PUMP	D9	33	11
DOWEL PIN, 10X16	D1	25	9	GEAR, COUNTERSHAFT LOW	E4	44	4	INJECTOR ASSY., FUEL	E7	47	13
DOWEL PIN, 8X12	D10	34	25	GEAR, COUNTERSHAFT SECOND	E4	44	7	INSULATOR	D15	39	9
	D16	40	5	GEAR, COUNTERSHAFT SIXTH	E4	44	19	INSULATOR, THROTTLE BODY	D2	26	6
DOWEL PIN, 8X14	D2	26	22	GEAR, COUNTERSHAFT THIRD	E4	44	10	[J]			
DRIVER, SCREW	H11	90	4	GEAR, MAINSHAFT FIFTH	E4	44	14	JOINT, BRAKE ROD	F13	60	17
DRUM, GEARSHIFT	E6	46	4	GEAR, MAINSHAFT SECOND	E4	44	6	JOINT, DRIVE CHAIN	G13	76	4
DUCT, AIR CLEANER	G5	68	4	GEAR, MAINSHAFT SIXTH	E4	44	17	JOINT, TUBE	G1	64	15
DUST SEAL,	F12	59	14	GEAR, MAINSHAFT THIRD & FOURTH	E4	44	9	[K]			
DUST SEAL, 17X20X2.5	G10	73	8	GEAR, PRIMARY DRIVE	E2	42	8	KEY SET	F6	53	1
DUST SEAL, 17X24X5	G15	78	20	GEAR, STARTER REDUCTION	D12	36	3	KEY, BLANK	F6	53	4
DUST SEAL, 20X26X4.5	G14	77	25	GRILLE, RADIATOR	H9	88	7	KEY, WOODRUFF, 25X18	E2	42	11
	G15	78	19	GRIP	H11	90	5	KEY, WOODRUFF, 4MM	E3	43	5
DUST SEAL, STEERING HEAD	F7	54	3	GRIP COMP., THROTTLE	F3	50	7	[L]			
DUST SEAL, STEERING UPPER	F7	54	2	GRIP, L. HANDLE	F3	50	8	LABEL, ACCESSORIES & LOADING ..	H12	91	5
[E]				GROMMET, AIR CLEANER CASE	G4	67	4	LABEL, AIR CLEANER ELEMENT			
ELEMENT COMP., AIR CLEANER ...	G5	68	2	GROMMET, SPEAKER PANEL	G16	79	2	LABEL, CHAIN ADJUSTER	H12	91	4
ELEMENT, OIL FILTER	D9	33	4	GUARD, HEAT	G8	71	11	LABEL, CHAIN ADJUSTER	H12	91	3
EMBLEM, PRODUCT	F6	53	12	GUARD, HEEL	H7	86	10	LABEL, DRIVE CHAIN	H12	91	2
[F]				GUARD, SIDE STAND SWITCH	G12	75	5	LABEL, FRENCH TRANSLATION	H12	91	6
FAN COMP., COOLING	H9	88	5	GUIDE A, CAM CHAIN	D7	31	7	LABEL, FUEL & DRIVE	H12	91	7
FASTENER, DUAL LOCK	G2	65	1	GUIDE B, CAM CHAIN	D7	31	5	LABEL, RR. DAMPER	G15	78	8
FENDER SET B, RR.	G16	79	7	GUIDE, BRAKE HOSE	F13	60	3	LABEL, TIRE	H12	91	1
FENDER SET, RR.	G16	79	6	GUIDE, CHAIN	G13	76	9	LENS COMP., L. WINKER	H1	80	5
FENDER SUB ASSY., FR.	F8	55	2	GUIDE, CLUTCH CABLE	F6	53	11	LENS COMP., R. WINKER	H1	80	3
FLAP, TIRE	F12	59	11	GUIDE, CLUTCH OUTER	D11	35	2	LEVER COMP., CLUTCH	D9	33	16
	F16	63	12	GUIDE, EX. VALVE	D2	26	3	LEVER, L. HANDLE	F3	50	14
FLYWHEEL COMP.	D14	38	1	GUIDE, FR. BRAKE HOSE	F6	53	5	LEVER, R. STEERING HANDLE	F5	52	12
FORK ASSY., L. FR.	F9	56	20	GUIDE, IN. VALVE	F7	54	1	LID COMP., AIR CLEANER	G5	68	7
FORK ASSY., R. FR.	F9	56	3	GUIDE, PILLION STEP	D2	26	2	LIFTER ASSY., TENSIONER	D7	31	4
FORK, CENTER GEARSHIFT	E6	46	2	[H]				LOCK ASSY., POCKET LID	G4	67	2
FORK, L. GEARSHIFT	E6	46	1	HANDLE, EYE WRENCH	H11	90	10	[M]			
FORK, R. GEARSHIFT	E6	46	3	HARNES, WIRE	H5	84	6	MAINSHAFT	E4	44	1
FUSE, BLADE	H4	83	13	HEADLIGHT UNIT COMP.	F1	48	1	MARK, HONDA	H13	92	1
FUSE, MINI	H6	85	29	HEAD ASSY., CYLINDER	D2	26	1	METER ASSY., COMBINATION	F2	49	1
[G]				HINGE, TOOL BOX	G4	67	8	MIRROR COMP., L.	F3	50	19
GASKET COMP., CYLINDER HEAD				HOLDER ASSY., HELMET	H7	86	11	MIRROR COMP., R.	F3	50	18
COVER	D1	25	3	HOLDER, BRUSH	D15	39	4	MOTOR ASSY., FAN	H9	88	13
GASKET, CYLINDER	D8	32	2	HOLDER, L. LEVER BRACKET	F3	50	12	MOTOR ASSY., STARTER	D15	39	1
GASKET, CYLINDER HEAD	D2	26	5	HOLDER, MASTER CYLINDER	F5	52	6	MUDGUARD	G16	79	1
GASKET, EX. PIPE	G8	71	1	HOLDER, UPPER	F6	53	7	MUFFLER COMP.	G8	71	5
GASKET, L. CRANKCASE COVER	D13	37	3	HORN COMP.	H5	84	11				
GASKET, OIL FILTER COVER	D9	33	6	HOSE COMP., FR. BRAKE	F5	52	2				
GASKET, OIL PUMP	D16	40	2	HOSE COMP., FUEL FEED	E7	47	17				
GASKET, R. CRANKCASE COVER	D9	33	2	HOSE COMP., RR. BRAKE	F13	60	2				
GASKET, TENSIONER LIFTER	D7	31	6	HOSE COMP., RR. BRAKE MASTER							
				CYLINDER	F13	60	8				
				HOSE, RADIATOR LOWER	H9	88	12				



PART NAME INDEX

J 4

Part name	Address	Page	Ref.	Part name	Address	Page	Ref.	Part name	Address	Page	Ref.
[N]											
NUT-WASHER, 6MM	D15	39	12	O-RING, 1.5X9.5	D7	31	11	PLATE, IDLE AIR CONTROL VALVE	E7	47	10
NUT, CAP, 6MM	H7	86	21	O-RING, 24.4X3.1	D15	39	13	PLATE, NUMBER PLATE BACK	H2	81	13
NUT, CLIP, 6MM	G8	71	24	O-RING, 30MM	D13	37	9	PLATE, PORT	D1	25	2
	H2	81	21	O-RING, 44.7X2.4	F10	57	30	PLATE, R. ENGINE HANGER	H7	86	7
	H7	86	19	O-RING, 4X2	D15	39	14	PLATE, SKID	H7	86	8
	H9	88	24	O-RING, 7.8X1.9	E7	47	20	PLUG, HOLE	H2	81	22
NUT, FENDER SETTING	G5	68	19	O-RING, 9.8X2.4	D10	34	31	PLUG, PIN	F15	62	13
NUT, FIXING	F3	50	23	OUTER COMP., CLUTCH	D11	35	1	PLUG, SPARK	D2	26	10
NUT, FLANGE, 10MM	D2	26	18	OUTER COMP., STARTING CLUTCH	D12	36	2	PROTECTOR, EX. PIPE	G8	71	7
	H1	80	9	[P]				PROTECTOR, L. FR. FORK	F9	56	23
	H8	87	23	PACKING, BASE	G1	64	12	PROTECTOR, MUFFLER	G8	71	9
NUT, FLANGE, 6MM	F4	51	29	PACKING, MUFFLER	G8	71	16	PROTECTOR, R. FR. FORK	F9	56	22
	F5	52	20	PACKING, RESERVE TANK	H9	88	18	PULLER, MINI FUSE	H11	90	1
	G1	64	17	PAD SET, FR.	F11	58	2	PUMP ASSY., FUEL	G1	64	1
	H3	82	26	PAD SET, RR.	F15	62	2	PUMP ASSY., OIL	D16	40	1
	H6	85	24	PEDAL COMP., CHANGE	G10	73	1	[R]			
NUT, FLANGE, 8MM	G9	72	26	PEDAL COMP., RR. BRAKE	G10	73	6	RADIATOR COMP.	H9	88	1
	H8	87	22	PGM-FI UNIT	H5	84	16	RECEIVER, CLUTCH CABLE	D9	33	18
NUT, HEX. CAP, 8MM	G8	71	23	PIN A, DOWEL, 12X16	D2	26	24	RECTIFIER ASSY., REGULATOR	H5	84	4
NUT, HEX., 10MM	F3	50	22		D8	32	3	REFLECTOR, FR. REFLEX	H2	81	4
	F9	56	16		D10	34	34	REFLECTOR, REFLEX	H2	81	3
NUT, HEX., 14MM	E3	43	3		D16	40	7	RELAY COMP., POWER	H5	84	14
NUT, HEX., 3MM	H10	89	26	PIN B, DOWEL, 8X14	E1	41	15	RELAY COMP., WINKER	H5	84	12
NUT, HEX., 8MM	F4	51	28		D10	34	35	RESONATOR	G5	68	11
	F14	61	25		D13	37	10	RETAINER	E7	47	18
	G14	77	23	PIN D, JOINT	E1	41	16	RETAINER, VALVE SPRING	F15	62	3
NUT, LOCK, 16MM	E2	42	9	PIN, CLUTCH LIFTER	F14	61	27	RIM, FR. WHEEL	D4	28	11
NUT, PUSH, 2.6	G4	67	14	PIN, HANGER	D11	35	12	RIM, RR. WHEEL	F12	59	8
NUT, SET	H2	81	17		F11	58	13	RING	F16	63	9
NUT, SETTING	H9	88	2	PIN, PISTON	F15	62	6	RING SET, PISTON	D15	39	8
NUT, SPECIAL, 16MM	D11	35	14	PIN, SHIFT RETURN SPRING	E2	42	4	RING, BACK UP	F5	52	10
NUT, STEERING STEM	F6	53	16	PIN, SNAP	E6	46	11	RING, OIL SEAL STOPPER	E2	42	2
NUT, U, 10MM	F16	63	18	PIN, SPLIT, 2.0X12	G10	73	5	RING, STOPPER	F9	56	6
	G12	75	8	PIN, SPLIT, 2.0X15	F14	61	26		F9	56	14
	G15	78	13	PIN, SPLIT, 2.0X18	G11	74	12		F9	56	17
NUT, U, 12MM	G15	78	14	PIN, STEP BAR	G11	74	13		F11	58	7
NUT, U, 14MM	G13	76	22	PIN, STEP JOINT	G11	74	5	RING, WEAR	F15	62	10
NUT, U, 16MM	F16	63	17	PIPE COMP., EX.	G8	71	6	ROD COMP.	F9	56	18
NUT, U, 5MM	H2	81	20	PIPE COMP., L. SLIDE	F9	56	21	ROD COMP., PUSH	F9	56	12
NUT, U, 6MM	G13	76	21	PIPE COMP., R. SLIDE	F9	56	11	ROD SUB ASSY., CUSHION	F13	60	13
	H2	81	19	PIPE COMP., WATER	D9	33	10		G15	78	7
[O]				PIPE, STEERING HANDLE	F6	53	6	CONNECTING	G15	78	7
OIL SEAL, 12X18X5	D10	34	28	PISTON	E2	42	3	ROLLER, 3X8.5	E6	46	20
OIL SEAL, 12X20X5	D10	34	29	PISTON B, 27X35	F15	62	14	RUBBER B, SEAT STOPPER	E6	46	2
OIL SEAL, 14X22X5	E6	46	18	PISTON SET, MASTER CYLINDER	F13	60	12	RUBBER SPONGE, RR. FENDER	G3	66	2
OIL SEAL, 22X36X5	E5	45	37	PISTON, 27X27	F11	58	3	RUBBER, BATTERY	G16	79	3
OIL SEAL, 25X47X6.5	F16	63	20	PIVOT, SHIFT DRUM STOPPER ARM	F11	58	13	RUBBER, BATTERY CUSHION	H4	83	10
O-RING, 11.8X1.9	D10	34	30	PLATE B, CLUTCH	E6	46	13		H5	68	15
	D16	40	6	PLATE COMP., CLUTCH PRESSURE	D11	35	8		H7	86	12
	E1	41	13	PLATE COMP., GEARSHIFT DRUM	D11	35	9	RUBBER, CUSHION	H7	86	12
O-RING, 13.8X2.5	D13	37	8	STOPPER	E6	46	6	RUBBER, FILTER	D9	33	7
O-RING, 14.8X2.4	F13	60	22	PLATE, BEARING SETTING	E4	44	2	RUBBER, FR. FENDER MOUNTING	F1	48	7
O-RING, 17.8X1.9	D10	34	33	PLATE, CLUTCH	D11	35	7	RUBBER, GEAR CHANGE PEDAL	G10	73	2
	E7	47	12	PLATE, DIAPHRAGM	F5	52	9	RUBBER, HEADLIGHT MOUNTING	F2	49	4
O-RING, 18X3	D10	34	32	PLATE, FIXING	F13	60	15	RUBBER, METER SETTING	F2	49	2
					F13	60	15	RUBBER, MOUNTING	D1	25	8
					E4	44	21		G7	70	7

PART NAME INDEX

J 5

Part name	Address	Page	Ref.	Part name	Address	Page	Ref.	Part name	Address	Page	Ref.
RUBBER, MUFFLER PROTECTOR	G8	71	18	SEAL SET, PISTON	F11	58	1	SPRING, VALVE OUTER	D4	28	9
RUBBER, PROTECTOR	G8	71	3		F15	62	1	SPROCKET COMP., DRIVE	E4	44	20
RUBBER, PROTECTOR PACKING	G8	71	2	SEAL, AIR CLEANER	G5	68	9	SPROCKET, FINAL DRIVEN	F16	63	3
RUBBER, RADIATOR	H9	88	6	SEAL, DUST	F10	57	29	SPROCKET, TIMING	E2	42	7
RUBBER, RADIATOR MOUNTING	H9	88	9	SEAL, MECHANICAL	D9	33	12	STATOR COMP.	D14	38	2
RUBBER, RR. TANK MOUNTING	G1	64	9	SEAL, RADIATOR CAP	H9	88	10	STAY COMP., METER	F2	49	3
RUBBER, SHOCK	H4	83	9	SEAL, TANK	G1	64	7	STAY COMP., OIL CUP	F13	60	1
RUBBER, SIDE COVER	H2	81	10	SEAL, VALVE STEM	D4	28	1	STAY, BANK ANGLE SENSOR	H5	84	9
RUBBER, SPEEDOMETER MOUNTING	H5	84	10	SEAT ASSY., DOUBLE	G3	66	1	STAY, CHAIN CASE	G13	76	6
RUBBER, TANK GUARD	G1	64	11	SEAT, JUDDER SPRING	D11	35	4	STAY, DRIVE CHAIN COVER	H7	86	3
				SEAT, STOPPER	F9	56	10	STAY, EX. PIPE PROTECTOR	G8	71	8
[S]				SEAT, VALVE SPRING	D4	28	12	STAY, FUSE BOX	G5	68	18
SCREEN, OIL FILTER	E1	41	5	SENSOR ASSY., BANK ANGLE	H5	84	8	STAY, HARNESS CLAMPER	E7	47	6
SCREW-WASHER, 4X12	F5	52	19	SENSOR ASSY., SPEED	E1	41	7	STAY, HEADLIGHT LOWER	F1	48	10
SCREW-WASHER, 5X12	D15	39	15	SENSOR ASSY., WATER TEMP	D2	26	14	STAY, NUMBER PLATE	H2	81	11
	E7	47	22	SENSOR SET	E7	47	1	STAY, NUMBER PLATE BRACKET	H2	81	7
SCREW-WASHER, 5X16	F3	50	24	SENSOR, OXYGEN	D2	26	11	STAY, RESERVE TANK	H9	88	20
SCREW, BLEEDER	F11	58	4	SEPARATOR COMP.	F5	52	7	STAY, STOP SWITCH	H7	86	5
	F15	62	7	SHAFT C, IDLE GEAR	D12	36	4	STAY, WIRE	E7	47	5
SCREW, FLAT, 4X12	F5	52	18	SHAFT, BALANCER	E3	43	2	STEM SUB ASSY., STEERING	F7	54	4
SCREW, FLAT, 4X45	F13	60	19	SHAFT, GEARSHIFT FORK	E6	46	5	STEP COMP., L.	G11	74	6
SCREW, FLAT, 6X53	G13	76	20	SHAFT, ROCKER ARM	D4	28	6	STEP COMP., R.	G11	74	2
SCREW, PAN, 4X10	G11	74	9	SHAFT, WATER PUMP	D9	33	15	STEP, PILLION	G11	74	7
SCREW, PAN, 4X8.5	H9	88	4	SHIM, TAPPET	D4	28	14	STOPPER COMP., GEARSHIFT DRUM	E6	46	7
SCREW, PAN, 5X10	E7	47	21		D5	29	14	STOPPER, TERMINAL	D15	39	10
SCREW, PAN, 5X12	G13	76	17		D6	30	14	STRIPE, L. FR. SHROUD	H13	92	4
SCREW, PAN, 5X16	F14	61	23	SHROUD COMP.	H9	88	3	STRIPE, L. RR. SHROUD	H13	92	6
SCREW, PAN, 5X22	F4	51	26	SHROUD SET, L. FR.	G2	65	4	STRIPE, R. FR. SHROUD	H13	92	3
SCREW, PAN, 5X25	G5	68	21	SHROUD SET, L. RR.	G2	65	5	STRIPE, R. RR. SHROUD	H13	92	5
SCREW, PAN, 6X10	G2	65	8	SHROUD SET, R. FR.	G2	65	2	SUB SPRING, SIDE STAND	G12	75	4
	G8	71	22	SHROUD SET, R. RR.	G2	65	3	SUSPENSION, ENGINE CONTROL			
	H2	81	15	SLIDER, CHAIN	G13	76	12	UNIT	H5	84	17
SCREW, PAN, 6X14	G2	65	9	SLIDER, CHAIN GUIDE	G13	76	10	SUSPENSION, WINKER RELAY	H5	84	13
	G4	67	13	SOCKET COMP., POSITION LIGHT	F1	48	4	SWINGARM SUB ASSY., RR.	G13	76	15
	H7	86	18	SPACER, IGNITION COIL	H5	84	2	SWITCH ASSY., CLUTCH	F3	50	6
SCREW, PAN, 6X18	G4	67	12	SPANNER, 12X14	H11	90	7	SWITCH ASSY., COMBINATION & LOCK	F6	53	2
	H3	82	23	SPANNER, 8X10	H11	90	6	SWITCH ASSY., ENGINE STOP	F3	50	4
SCREW, PAN, 6X22	H3	82	24	SPINDLE COMP., GEARSHIFT	E6	46	9	SWITCH ASSY., FR. STOP	F5	52	1
SCREW, PAN, 6X6	D7	31	8	SPOKE SET, FR.	F12	59	1	SWITCH ASSY., NEUTRAL	E1	41	6
SCREW, SPECIAL, 4X10	H1	80	2	SPOKE SET, RR.	F16	63	1	SWITCH ASSY., RR. STOP	G10	73	3
SCREW, SPECIAL, 5X10	G8	71	19	SPRING ASSY., RR. BRAKE RETURN	G10	73	7	SWITCH ASSY., SIDE STAND	G12	75	1
SCREW, TAPPING, 3X12	F4	51	27	SPRING, CARBON BRUSH	D15	39	5	SWITCH ASSY., STARTER MAGNETIC	H4	83	8
SCREW, TAPPING, 3X16	F6	53	18	SPRING, CLUTCH	D11	35	10	SWITCH ASSY., WINKER	F3	50	5
SCREW, TAPPING, 3X6	H9	88	25	SPRING, CLUTCH LEVER	D9	33	17				
SCREW, TAPPING, 4X10	G4	67	15	SPRING, DRUM STOPPER	E6	46	8	[T]			
SCREW, TAPPING, 4X12	G2	65	11	SPRING, FR. FORK	F9	56	4	TANK ASSY., FUEL	G1	64	2
	G9	72	25	SPRING, GEARSHIFT RETURN	E6	46	10	TANK, RADIATOR RESERVE	H9	88	19
	H3	82	25	SPRING, JUDDER	D11	35	11	TAPE B, TANK GUARD	G1	64	8
SCREW, TAPPING, 5X14	F2	49	6	SPRING, LOCK KEY SETTING	G4	67	1	TAPE, MAGIC	G16	79	8
SCREW, TAPPING, 5X16	F1	48	13	SPRING, L. STEP RETURN	G11	74	4	TENSIONER COMP., CAM CHAIN	D7	31	2
SCREW, TAPPING, 5X20	G5	68	23	SPRING, OIL FILTER ELEMENT				THERMOSTAT	D2	26	8
	G16	79	11	SETTING	D9	33	8	THREAD, STEERING HEAD TOP	F7	54	5
SCREW, TAPPING, 6X20	F14	61	24	SPRING, PAD	F11	58	6	TIRE, FR.	F12	59	9
SCREW, TORX	E7	47	11		F15	62	9	TIRE, RR.	F16	63	10
SCREW, TORX, 5X17	E7	47	4	SPRING, REBOUND	F9	56	7	TRIM A, FUEL TANK	G1	64	5
SCREW, TORX, 5X8.7	E7	47	3	SPRING, R. STEP RETURN	G11	74	3	TRIM B, FUEL TANK	G1	64	6
SEAL RING, INJECTOR	E7	47	14	SPRING, SIDE STAND	G12	75	3	TUBE	G7	70	4
SEAL SET, FR. FORK	F9	56	19	SPRING, STOP SWITCH	G10	73	4				
				SPRING, VALVE INNER	D4	28	10				



PART NAME INDEX

J 6

Part name	Address	Page	Ref.	Part name	Address	Page	Ref.	Part name	Address	Page	Ref.
TUBE	H10	89	28	WASHER, PLAIN, 5MM	F2	49	7				
TUBE, AIR CLEANER CONNECTING ..	G5	68	5		G14	77	26				
TUBE, AIR CLEANER DRAIN	G5	68	3	WASHER, PLAIN, 8MM	G11	74	10				
TUBE, AIR INJECTION	G7	70	3		H6	85	25				
TUBE, BREATHER	G5	68	10	WASHER, RADIATOR MOUNTING	H9	88	15				
TUBE, DRAIN	G5	68	8	WASHER, SEALING, 6.5MM	D9	33	24				
TUBE, FUEL, 4.5X300	G1	64	18	WASHER, SPECIAL, 11X21X2.3	F16	63	19				
TUBE, FUEL, 4.5X380	G1	64	19	WASHER, SPECIAL, 12MM	D2	26	21				
TUBE, OUTER	F9	56	5	WASHER, SPECIAL, 8MM	F10	57	28				
TUBE, RESERVE TANK	H9	88	16	WASHER, SPLINE, 20X26X1.6	E5	45	27				
TUBE, TIRE	F12	59	10	WASHER, SPLINE, 25X31X1.0	E5	45	28				
	F16	63	11	WASHER, SPLINE, 25X42X1.6	E5	45	31				
TUBE, VINYL, 7X11X420	G5	68	24	WASHER, WAVE	F11	58	14				
[V]				WHEEL SUB ASSY., FR.	F12	59	7				
VALVE ASSY., AIR INJECTION				WHEEL SUB ASSY., RR.	F16	63	8				
SOLENOID	G7	70	6	WINKER ASSY., L. FR.	H1	80	4				
VALVE ASSY., RELIEF	D16	40	4	WINKER ASSY., L. RR.	H1	80	7				
VALVE COMP., REED	D1	25	4	WINKER ASSY., R. FR.	H1	80	1				
VALVE SET, IDLE AIR CONTROL ..	E7	47	9	WINKER ASSY., R. RR.	H1	80	6				
VALVE, EX.	D4	28	8	WRENCH, BOX	H11	90	8				
VALVE, IN.	D4	28	7	WRENCH, EYE, 17MM	H11	90	11				
VISOR SET, FR.	F1	48	9	WRENCH, EYE, 19MM	H11	90	12				
[W]				WRENCH, EYE, 24MM	H11	90	15				
WASHER	D15	39	11	WRENCH, HEX., 5MM	H11	90	14				
WASHER B, THRUST, 20MM	E5	45	30	WRENCH, HEX., 6MM	H11	90	13				
WASHER, 10MM	D2	26	19	WRENCH, PLUG	H11	90	9				
WASHER, 12.2X17X1.5	D2	26	20								
WASHER, 12.5X30X5	D14	38	4								
WASHER, 14MM	E6	46	15								
WASHER, 14.2X24	E3	43	4								
WASHER, 16MM	D11	35	17								
	E2	42	10								
WASHER, 17X26X1.0	E4	44	23								
WASHER, 17X28X1.0	E5	45	29								
WASHER, 20X27X1.0	E4	44	24								
WASHER, 20X40X2	D11	35	15								
			16								
WASHER, 22X29X1.0	E5	45	25								
WASHER, 25X32X1.0	E5	45	26								
WASHER, 6.1MM	E6	46	14								
WASHER, 7X13X1.2	D9	33	23								
WASHER, CHAIN SLIDER	G13	76	13								
			14								
WASHER, DRAIN PLUG, 12MM	E1	41	14								
WASHER, DUST SEAL	F6	53	9								
WASHER, LOCK, 25MM	E5	45	32								
WASHER, NEUTRAL SWITCH	E1	41	12								
WASHER, OIL BOLT	F5	52	16								
	F13	60	21								
WASHER, PLAIN, 10MM	G11	74	11								
	G15	78	21								
	H8	87	24								
WASHER, PLAIN, 12MM	G15	78	15								
WASHER, PLAIN, 16MM	G10	73	9								
WASHER, PLAIN, 4MM	G9	72	27								

1

FOREWORD INDEX

2

ENGINE GROUP

3

FRAME GROUP

4

PART NUMBER INDEX

5

PART NAME INDEX

HONDA
The Power of Dreams



PARTS CATALOGUE NEWS

Honda Motor Co., Ltd.
Customer Service Technology Development Division

PARTS CATALOGUE - CORRECTED

Printed in Japan

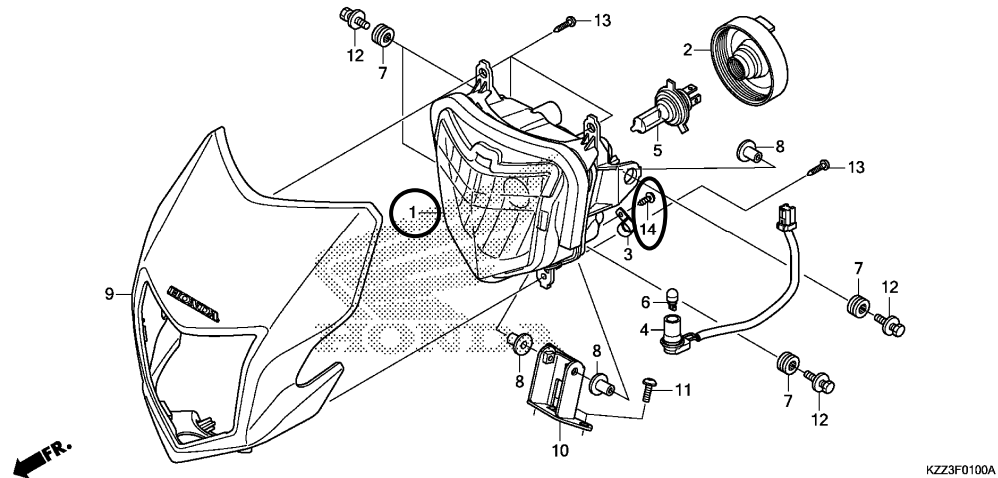
CODE NO.	13KZZD01
PARTS CATALOGUE NEWS	CRF250L CRF250LD
NEWS NO.	001

(TH-KD)KZZ

Block No.	Ref. No.	Note	Part No.	Description	Reqd. QTY CRF 250L D	Serial No.	Parts catalogue code
-----------	----------	------	----------	-------------	----------------------------	------------	----------------------

F-1 HEADLIGHT

ILLUSTRATION-CORRECTED



KZZ3F0100A

F-1	14	D	93901-34320	SCREW, TAPPING, 4X12.....	1		
-----	----	---	-------------	---------------------------	---	--	--

NOTE A:PART NO. CHANGE D:NEWLY PROVIDED E:PART NO.DELETION K:REQUIRED NO. CORRECTION L:APPLICATION SERIAL NO. CORRECTION
M:PART DESCRIPTION CORRECTION T:APPLICATION CORRECTION Z:REMARKS CHANGE



PARTS CATALOGUE NEWS

Honda Motor Co., Ltd.
Customer Service Technology Development Division

PARTS CATALOGUE - CORRECTED

Printed in Japan

CODE NO.	13KZZD01
PARTS CATALOGUE NEWS	CRF250L CRF250LD
NEWS NO.	002

(TH-KD)KZZ

Block No.	Ref. No.	Note	Part No.	Description	Reqd. QTY CRF 250L D	Serial No.	Parts catalogue code
E-2	1	E	12010-KZZ-920	*PART NO. DELETION			
		A	12010-KZZ-921	HEAD ASSY., CYLINDER.....	1		
F-7	1	T	35010-KZZ-900	KEY SET.....	1	-----	PH, U
		A	35010-KZZ-930	1	-----	E, ED, F
	2	T	35100-KZZ-901	SWITCH ASSY., COMBINATION & LOCK	1	-----	PH, U
		A	35100-KZZ-931	1	-----	E, ED, F
F-36	10	E	83545-KCJ-690	*PART NO. DELETION			
		A	83545-KZZ-900	RUBBER, TAILLIGHT MOUNTING....	3		

NOTE A:PART NO. CHANGE D:NEWLY PROVIDED E:PART NO. DELETION K:REQUIRED NO. CORRECTION L:APPLICATION SERIAL NO. CORRECTION
M:PART DESCRIPTION CORRECTION T:APPLICATION CORRECTION Z:REMARKS CHANGE



PARTS CATALOGUE NEWS

Honda Motor Co., Ltd.
Customer Service Technology Development Division

PARTS CATALOGUE - CORRECTED

Printed in Japan

CODE NO.	13KZZD01
PARTS CATALOGUE NEWS	CRF250L CRF250LD
NEWS NO.	003

(TH-KD)KZZ

Block No.	Ref. No.	Note	Part No.	Description	Reqd. QTY CRF 250L D	Serial No.	Parts catalogue code
F-25	24	E	95003-19042-10	*PART NO. DELETION			
		A	95003-19042-20	TUBE, VINYL, 7X11X420.....	1		

NOTE A:PART NO. CHANGE D:NEWLY PROVIDED E:PART NO.DELETION K:REQUIRED NO. CORRECTION L:APPLICATION SERIAL NO. CORRECTION
M:PART DESCRIPTION CORRECTION T:APPLICATION CORRECTION Z:REMARKS CHANGE



PARTS CATALOGUE NEWS

Honda Motor Co., Ltd.
Customer Service Technology Development Division

PARTS CATALOGUE - CORRECTED

Printed in Japan

CODE NO.	13KZZD01
PARTS CATALOGUE NEWS	CRF250L CRF250LD
NEWS NO.	004

(TH-KD)KZZ

Block No.	Ref. No.	Note	Part No.	Description	Reqd. QTY	Serial No.	Parts catalogue code
F-27	17	A	19516-ML7-691	CLAMP, HOSE, 24-32MM.....	1		
		E	19517-ML7-691	*PART NO. DELETION			

NOTE A:PART NO. CHANGE D:NEWLY PROVIDED E:PART NO.DELETION K:REQUIRED NO. CORRECTION L:APPLICATION SERIAL NO. CORRECTION
M:PART DESCRIPTION CORRECTION T:APPLICATION CORRECTION Z:REMARKS CHANGE

July 08, 2012



PARTS CATALOGUE NEWS

Honda Motor Co., Ltd.
Customer Service Technology Development Division

PARTS CATALOGUE - CORRECTED

Printed in Japan

CODE NO.	13KZZD01
PARTS CATALOGUE NEWS	CRF250L CRF250LD
NEWS NO.	005

(TH-KD)KZZ

Block No.	Ref. No.	Note	Part No.	Description	Reqd. QTY	Serial No.	Parts catalogue code
F-49	6	T	87560-MZ1-620	LABEL, FRENCH TRANSLATION.	1	-----	F

NOTE A:PART NO. CHANGE D:NEWLY PROVIDED E:PART NO.DELETION K:REQUIRED NO. CORRECTION L:APPLICATION SERIAL NO. CORRECTION
M:PART DESCRIPTION CORRECTION T:APPLICATION CORRECTION Z:REMARKS CHANGE

July 16, 2012



PARTS CATALOGUE NEWS

Honda Motor Co., Ltd.
Customer Service Technology Development Division

PARTS CATALOGUE - CORRECTED

Printed in Japan

CODE NO.	13KZZD01
PARTS CATALOGUE NEWS	CRF250L CRF250LD
NEWS NO.	006

(TH-KD)KZZ

Block No.	Ref. No.	Note	Part No.	Description	Reqd. QTY CRF 250L D	Serial No.	Parts catalogue code
F-41	17	E	19105-MG8-000	*PART NO. DELETION			
		D	19105-KZZ-900	CAP ASSY., RESERVE TANK.....	1		

NOTE A:PART NO. CHANGE D:NEWLY PROVIDED E:PART NO.DELETION K:REQUIRED NO. CORRECTION L:APPLICATION SERIAL NO. CORRECTION
M:PART DESCRIPTION CORRECTION T:APPLICATION CORRECTION Z:REMARKS CHANGE



PARTS CATALOGUE NEWS

Honda Motor Co., Ltd.
Customer Service Technology Development Division

PARTS CATALOGUE - CORRECTED

Printed in Japan

CODE NO.	13KZZD01
PARTS CATALOGUE NEWS	CRF250L CRF250LD
NEWS NO.	007

(TH-KD)KZZ

Block No.	Ref. No.	Note	Part No.	Description	Reqd. QTY CRF 250L D	Serial No.	Parts catalogue code
F-32	8	E	52144-356-003	*PARTS NO. DELETION			
		A	52144-356-005	CAP, SWINGARM DUST SEAL (NOK)	2		
F-38	18	A	77302-473-000	COLLAR, PILLION SEAT	2		
		E	90502-KS5-000	*PARTS NO. DELETION			

NOTE A:PART NO. CHANGE D:NEWLY PROVIDED E:PART NO. DELETION K:REQUIRED NO. CORRECTION L:APPLICATION SERIAL NO. CORRECTION
M:PART DESCRIPTION CORRECTION T:APPLICATION CORRECTION Z:REMARKS CHANGE



PARTS CATALOGUE NEWS

Honda Motor Co., Ltd.
Customer Service Technology Development Division

PARTS CATALOGUE - CORRECTED

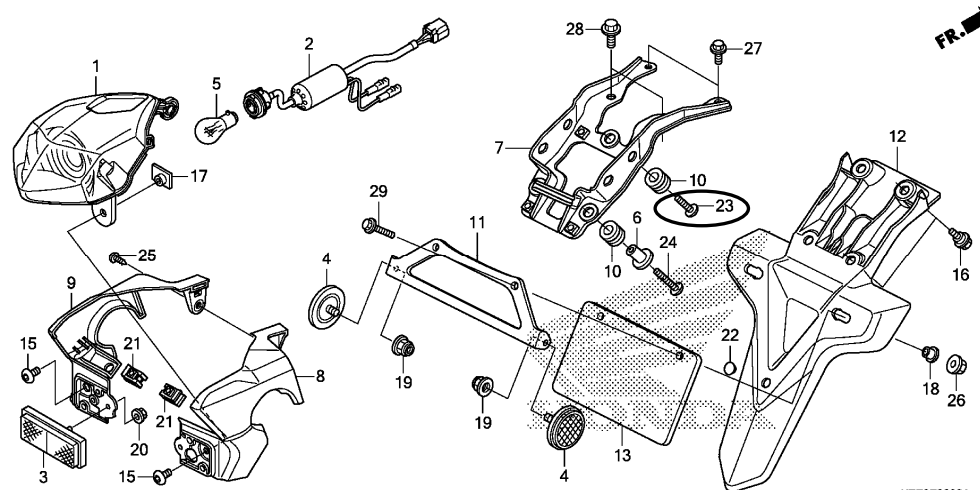
Printed in Japan

CODE NO.	13KZZD01
PARTS CATALOGUE NEWS	CRF250L CRF250LD
NEWS NO.	008

(TH-KD)KZZ

Block No.	Ref. No.	Note	Part No.	Description	Reqd. QTY CRF 250L D	Serial No.	Parts catalogue code
-----------	----------	------	----------	-------------	-------------------------------	------------	----------------------

F-36 TAILLIGHT



KZZ3F3600A

F-36	14	E	90001-961-670	*PARTS NO. DELETION			
	23	A	90113-MGS-D30	SCREW, PAN, 6X16.5	1		

NOTE A:PART NO. CHANGE D:NEWLY PROVIDED E:PART NO.DELETION K:REQUIRED NO. CORRECTION L:APPLICATION SERIAL NO. CORRECTION
M:PART DESCRIPTION CORRECTION T:APPLICATION CORRECTION Z:REMARKS CHANGE

PARTS CATALOGUE NEWS

BOOKNo. : 13KZZD01

Block No.	Ref. No.	Note	Part No.	Description	Reqd. QTY CRF 250L D	Serial No.	Parts catalogue code
		E	93500-06018-0G	*PARTS NO. DELETION			

NOTE A:PART NO. CHANGE D:NEWLY PROVIDED E:PART NO.DELETION K:REQUIRED NO. CORRECTION L:APPLICATION SERIAL NO. CORRECTION
M:PART DESCRIPTION CORRECTION T:APPLICATION CORRECTION Z:REMARKS CHANGE



PARTS CATALOGUE NEWS

Honda Motor Co., Ltd.
Customer Service Technology Development Division

PARTS CATALOGUE - CORRECTED

Printed in Japan

CODE NO.	13KZZD01
PARTS CATALOGUE NEWS	CRF250L CRF250LD
NEWS NO.	009

(TH-KD)KZZ

Block No.	Ref. No.	Note	Part No.	Description	Reqd. QTY	Serial No.	Parts catalogue code
					CRF 250L D		
F-2	1	A	37100-KZZ-306	METER ASSY., COMBINATION (MPH/KPH)	1	-----	E
		A	37100-KZZ-307	METER ASSY., COMBINATION (KPH).	1	-----	ED, F, PH, U
		E	37100-KZZ-871	*PARTS NO. DELETION			
		E	37100-KZZ-901	*PARTS NO. DELETION			

NOTE A:PART NO. CHANGE D:NEWLY PROVIDED E:PART NO. DELETION K:REQUIRED NO. CORRECTION L:APPLICATION SERIAL NO. CORRECTION
M:PART DESCRIPTION CORRECTION T:APPLICATION CORRECTION Z:REMARKS CHANGE



PARTS CATALOGUE NEWS

Honda Motor Co., Ltd.
Customer Service Technology Development Division

PARTS CATALOGUE - CORRECTED

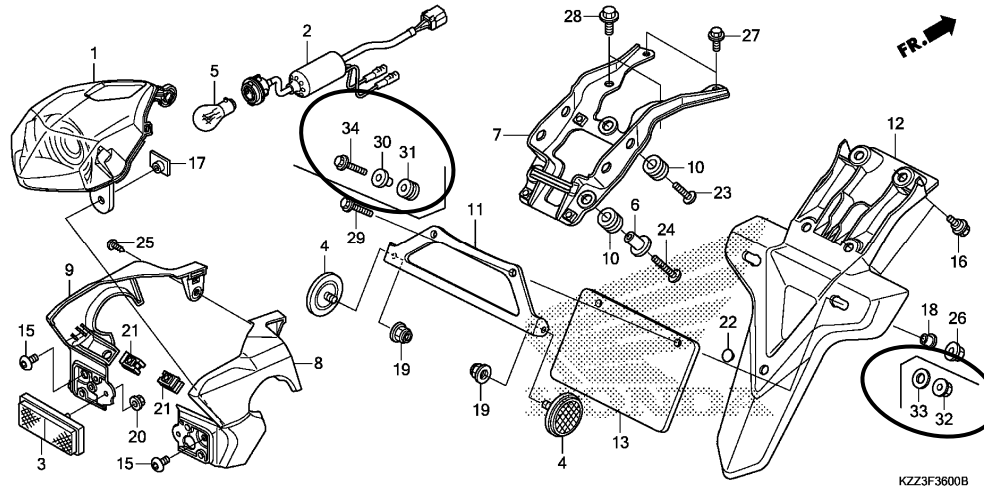
Printed in Japan

CODE NO.	13KZZD01
PARTS CATALOGUE NEWS	CRF250L CRF250LD
NEWS NO.	010

(TH-KD)KZZ

Block No.	Ref. No.	Note	Part No.	Description	Reqd. QTY CRF 250L D	Serial No.	Parts catalogue code
-----------	----------	------	----------	-------------	-------------------------------	------------	----------------------

F-36 TAILLIGHT



KZZ3F3600B

F-36	30	D	61105-KEV-900	COLLAR, HORN SETTING.....	3	-----	E, ED, F, PH
	31	D	84702-KZZ-930	RUBBER, MOUNT.....	3	-----	E, ED, F, PH

NOTE A:PART NO. CHANGE D:NEWLY PROVIDED E:PART NO.DELETION K:REQUIRED NO. CORRECTION L:APPLICATION SERIAL NO. CORRECTION
M:PART DESCRIPTION CORRECTION T:APPLICATION CORRECTION Z:REMARKS CHANGE

PARTS CATALOGUE NEWS

BOOKNo. : 13KZZD01

Block No.	Ref. No.	Note	Part No.	Description	Reqd. QTY CRF 250L D	Serial No.	Parts catalogue code
	32	D	94050-06000	NUT, FLANGE, 6MM.	3	-----	E, ED, F, PH
	33	D	94103-06000	WASHER, PLAIN, 6MM.	3	-----	E, ED, F, PH
	34	D	95701-06020-00	BOLT, FLANGE, 6X20.	3	-----	E, ED, F, PH

NOTE A:PART NO. CHANGE D:NEWLY PROVIDED E:PART NO.DELETION K:REQUIRED NO. CORRECTION L:APPLICATION SERIAL NO. CORRECTION
M:PART DESCRIPTION CORRECTION T:APPLICATION CORRECTION Z:REMARKS CHANGE